



FAGOR AUTOMATION

Angular encoders

for CNC Machines and High Accuracy Applications





Angular and rotary encoders

Over 35 years of continuous evolution





Fagor Automation has been manufacturing high quality angular and rotary encoders using precision optical technology for more than 35 years.

Over the years Fagor has created, developed and patented systems, components and technologies that allow us to offer best quality and features over the complete range of product utilizing innovative production methods.

Hence making Fagor Automation the most efficient alternative in the world of feedback systems.

Modern facilities and innovative processes

In order to ensure quality and reliability in all its products Fagor Automation utilizes the most advanced technology and testing and manufacturing facilities. From centralized computer control temperature monitoring, cleanliness and relative humidity control, a must for the feedback system manufacturing process, to laboratories for climate, vibration and EMC testing to certify the designs.

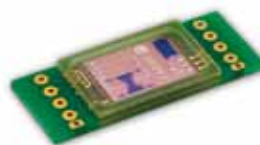


With state-of-the-art technology

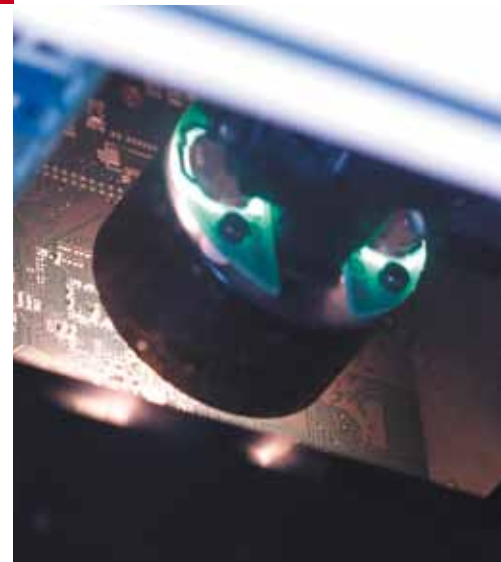
Fagor Automation's commitment to this technology and quality is evident by creation of **Aotek** in 2002, a dedicated research center providing various technological breakthroughs. This investment has resulted in large number of patents and customized solutions in electrical, optical and mechanical fields.



Steel-tape tensioner



Fringe scanning



Superior technology and innovative design

Fagor Automation develops with maximum professionalism the three cornerstones in encoder design: optical design, electronic design and mechanical design that result in a state-of-the-art product.

Optical design

In the vanguard of measurement technologies, Fagor Automation uses transmission and reflective optics in its range of encoders.

With new scanning techniques, such as the new single-window scanning technology, more immune to contamination, which is critical for operations in extreme conditions, and contributes to attaining high quality signals that minimize interpolation errors, resulting in improved accuracy of the measurement system.

Electronic design

Fagor Automation uses latest generation integrated electronic components in their design. Thanks to that, it achieves the optimization of the signals at high turning speeds, achieving high accuracy and angular resolution.

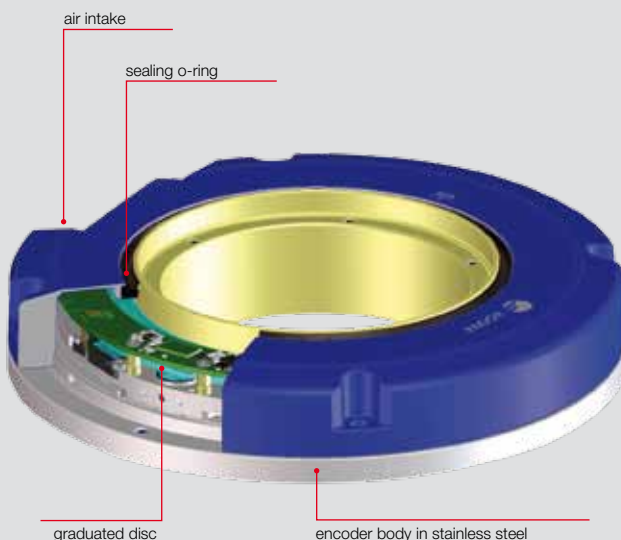
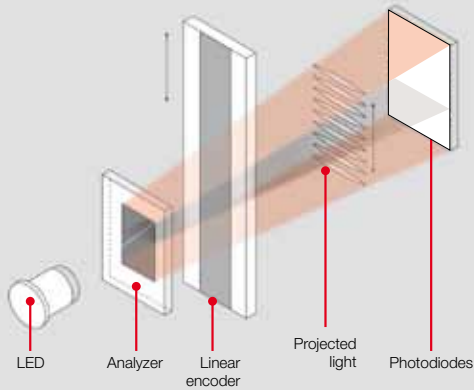
Mechanical design

Fagor Automation designs and manufactures the most innovative and reliable measuring systems using its advanced mechanical designs. These advanced designs minimize fluid accumulation while facilitating drainage and provide greater resistance to fluids and better sealing with double-flanged o-rings with the VITON® material in their composition. In addition, aid components, such as the markings indicating the positive and negative counting directions, facilitate installation. These designs, together with the materials used – titanium and stainless steel – provide the products with the necessary robustness to ensure the best performance in different applications.

Enclosed design

The enclosed design protects the graduated glass disc.

The O-rings protect the encoder from powder and liquid splashes as the optical elements move along the encoder. The reader head and the graduated disc make up a balanced tandem accurately capturing and transmitting the position and movement of the machine. The optical elements move with low friction. The air intake option increases the degree of protection against powder and fluids.



Quality

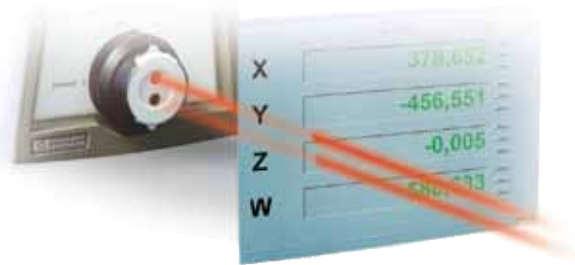
Accuracy certificate

Every single Fagor encoder is subjected to an extensive final accuracy check. This control is carried out on a computerized measuring bench equipped with a laser interferometer located inside a climate controlled chamber at 20°C. The resulting final accuracy graph is supplied with every Fagor encoder.



The quality of the measurement is mainly determined by:

- Etching quality
- The quality of the scanning process
- The quality of the electronics that processes the signals







ABSOLUTE

Technology and range	10
Signals	12
H2A-D200i100 series	14
H2A-D200 series	16
H2A-D90 series	18
S2A-D170 series	20
S2A-D90 series	22
H2A-D87 series	24
Cables and extension cables	26



INCREMENTAL

Technology and range	30
Signals	32
H2-D200 series	34
H2-D90 series	36
S2-D170 series	38
S2-D90 series	40
H series	42
S series	42
Cables and extension cables	44
Accessories	48

Range

Analyze the application to make sure that the proper encoder will be selected for the machine.

To do this, bear in mind the following considerations:

Installation: This point considers the physical dimensions of the installation and the space available for it. It is essential to determine its type of shaft: Hollow or solid.

Accuracy: Each encoder is supplied with a graph showing the accuracy of the angular encoder.

Signal: The signal selection considers the communication protocols compatible with the main CNC manufacturers.

Resolution: The resolution of the control of machine-tools depends on the encoder.

Cable length: The length of the cable depends on the type of signal.

Compatibility: The signal must be compatible with the control system.

Speed: The speed requirements for the application must be analyzed before choosing the encoder.

Shock and Vibration: Fagor's angular encoders can withstand vibrations of up to 100 m/s² and impacts of up to 1000 m/s².

Series	Section
H2A-D200i100	
H2A-D200	
H2A-D90	
S2A-D170	
S2A-D90	
H2A-D87	

Technology

The absolute measurement system is a direct digital measure of machine position. It is fast, accurate and does not require homing of the machine. The position value is available from the moment the machine is turned on and may be requested by the connected device (CNC) at any time.

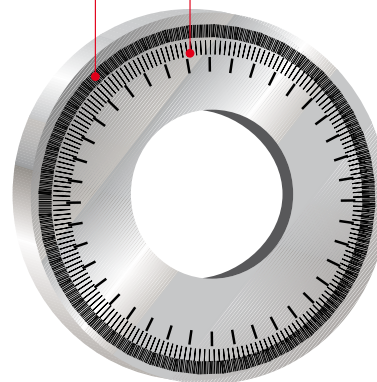
The absolute encoders provide direct measure of machine position without using any intermediate device. The errors originated in the mechanics of the machine are avoided because the encoder is mounted on the machine axis and sends the real movement data to the controller; some of the potential sources of error, such as those caused by the thermal behavior of the machine, may be minimized using encoders.

Angular and rotary encoders

Angular encoders are used as angular movement sensors on machines that require high resolution and high accuracy.

Fagor angular encoders reach 29-bit angular resolution equivalent to 536 870 912 positions and accuracy levels of ±5", ±2.5", ±2" and ±1" depending on the model. In them, the graduated disk of the measuring system is attached directly to the shaft. They have bearings and couplings that serve as guide and adjustment.

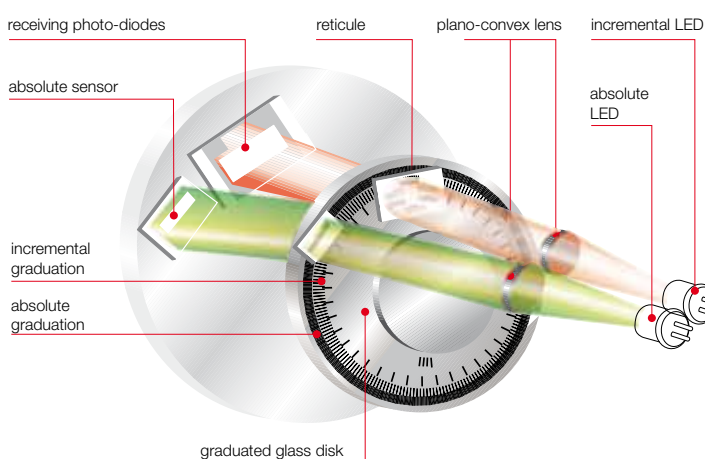
absolute graduation incremental graduation



Type of shaft	Accuracy	Signals	Model	Page
Hollow shaft	± 1" ± 2"	SSI + 1 Vpp FAGOR / SIEMENS® (*)	H2A / H2AS	14
		FANUC® / MITSUBISHI® / PANASONIC® / FAGOR	H2AF / H2AM / H2AP / H2AD	
		SIEMENS® (*)	H2AD + EC-PA-DQ1	
		BiSS®	H2AB	
Hollow shaft	± 1" ± 2"	SSI + 1 Vpp FAGOR / SIEMENS® (*)	H2A / H2AS	16
		FANUC® / MITSUBISHI® / PANASONIC® / FAGOR	H2AF / H2AM / H2AP / H2AD	
		SIEMENS® (*)	H2AD + EC-PA-DQ1	
		BiSS®	H2AB	
Hollow shaft	± 2.5" ± 5"	SSI + 1 Vpp FAGOR / SIEMENS® (*)	H2A / H2AS	18
		FANUC® / MITSUBISHI® / PANASONIC® / FAGOR	H2AF / H2AM / H2AP / H2AD	
		SIEMENS® (*)	H2AD + EC-PA-DQ1	
		BiSS®	H2AB	
Solid shaft	± 2"	SSI + 1 Vpp FAGOR / SIEMENS® (*)	S2A / S2AS	20
		FANUC® / MITSUBISHI® / PANASONIC® / FAGOR	S2AF / S2AM / S2AP / S2AD	
		SIEMENS® (*)	S2AD + EC-PA-DQ1	
		BiSS®	S2AB	
Solid shaft	± 2.5" ± 5"	SSI + 1 Vpp FAGOR / SIEMENS® (*)	S2A / S2AS	22
		FANUC® / MITSUBISHI® / PANASONIC® / FAGOR	S2AF / S2AM / S2AP / S2AD	
		SIEMENS® (*)	S2AD + EC-PA-DQ1	
		BiSS®	S2AB	
Hollow shaft	± 10"	FANUC®	H2AF	24

(*) SIEMENS®: valid for family Solution Line.

Graduated glass disk



Couplings, besides minimizing the static and dynamic deviations, compensate for axial movements of the shaft providing easier mounting, smaller size and the possibility of hollow shafts.

Fagor Automation uses the **graduated glass** measuring method in its absolute angular and rotary encoders. The light from the LED goes through an engraved glass and a reticule before reaching the receiving photo diodes. The measurement is made based on the pitch determined by the number of pulses/turn.

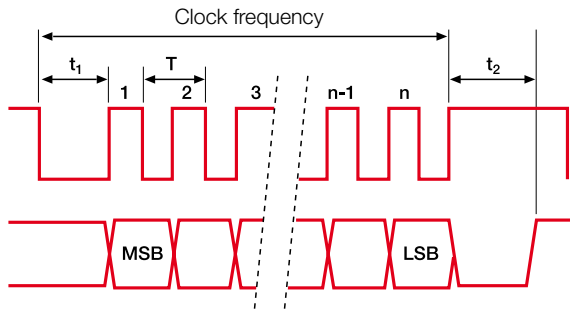
This measuring method has two different etchings:

- **Incremental graduation:** Used to generate incremental signals that are counted inside the reader head. The incremental graduation also provides the 1 Vpp analog signals except in systems that only use digital signals.
- **Absolute graduation:** It is a binary code with a special sequence that avoids repetition. On Fagor absolute encoders, the absolute position is calculated using the data of that code read by means of a high precision optical sensor.

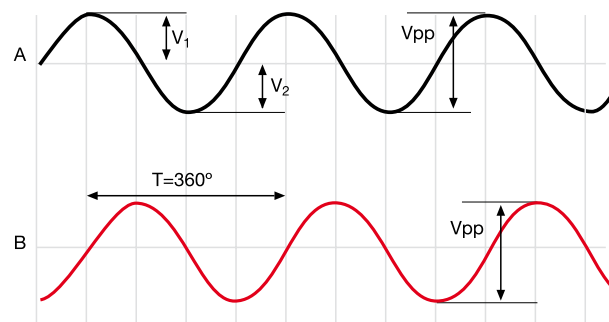
Electrical output signals

They are defined according to the communication protocol. Protocols are specific communication languages used by linear encoders to communicate with the machine controller (CNC, drive, PLC, etc.). There are different communication protocols depending on the CNC manufacturer. Fagor Automation offers absolute encoders with different communication protocols compatible with the main CNC manufacturers on the market such as FAGOR, FANUC®, SIEMENS®, MITSUBISHI®, PANASONIC® and others.

absolute



1 Vpp differential



FAGOR systems

Fagor FeeDat® Serial Interface

These systems only use digital signals.

The absolute encoder is connected via the SERCOS board.

A high communication speed of 10 MHz provides a loop time of 10 microseconds. Communication also includes alarms, analog signal values and other encoder parameters.

Fagor FeeDat® is an open communication protocol that is also used to communicate with other CNC system manufacturers.



SERCOS counter board

SIEMENS® systems

DRIVE-CLiQ® Interface

These systems only use digital signals.

The absolute encoder is connected through a cable having the electronics integrated into the connector and it is connected to the "Solution Line" family without the need for intermediate modules.

Sistemas FANUC®

Serial Interface for position feedback encoder

These systems only use digital signals. The absolute encoder is connected through the SDU (Separate Detector Unit) device and is valid for communication protocol versions FANUC® 01, 02 and α serial interface.

MITSUBISHI® systems

High Speed Serial Interface - HSSI

These systems only use digital signals. The absolute encoder is connected through the MDS Series drive and it is valid for MITSUBISHI® communication protocol versions Mit 03-2/4.

PANASONIC® systems

Serial Communication

These systems only use digital signals. These systems only use digital signals. The absolute encoder is connected through the MINAS series drive.

- The systems can be connected to linear motors, rotary motors and DD motors.
- Automatic drive/motor matching software available.
- Vibration, resonance suppression filters available with setting done automatically / manually.
- Drive range from 50 W to 15 kW at AC 100 V / 200 V / 400 V.
- Safety Torque Off feature available.

PANASONIC® systems
A5 series



Systems with SSI or BiSS®

The SSI or BiSS® communication interfaces are widely implemented among manufacturers of drive and control systems (FAGOR, SIEMENS®, etc.). These systems and the absolute encoders with SSI or BiSS® interfaces can be connected as long as they are compatible.

1. Systems with Serial Synchronous Interface - SSI

These systems synchronize the SSI interface with the sinusoidal 1 Vpp signals. Once the absolute position has been obtained through the SSI interface, the encoders keep operating with incremental 1 Vpp signals.

A. FAGOR systems

ABSOLUTE signals

Transmission	SSI synchronous serial transfer via RS 485
Levels	EIA RS 485
Clock frequency	100 kHz - 500 kHz
Max. bit (n)	32
T	1 μs + 10 μs
t ₁	> 1 μs
t ₂	20 μs - 35 μs
SSI	Binary
Parity	No

1 Vpp DIFFERENTIAL signals

Signals	A, /A, B, /B
V _{App}	1 V +20%, -40%
V _{Bpp}	1 V +20%, -40%
DC offset	2.5 V ±0.5 V
Signal period	20, 40 μm
Supply V	5 V ±10%
Max. cable length	75 meters
A, B centered: $ V_1 - V_2 / 2 V_{pp}$	< 0.065
A&B relationship V _{App} / V _{Bpp}	0.8 ÷ 1.25
A&B phase shift	90° ± 10°

B. SIEMENS® Systems

The connection of absolute encoders to SIEMENS® systems is made through the SME 25 or SMC 20 modules of the Solution Line family.

ABSOLUTE signals

Transmission	SSI synchronous serial transfer via RS 485
Levels	EIA RS 485
Clock frequency	100 kHz - 500 kHz
Max. bit (n)	28
T	1 μs + 10 μs
t ₁	> 1 μs
t ₂	20 μs - 35 μs
SSI	Gray
Parity	Yes

1 Vpp DIFFERENTIAL signals

Signals	A, /A, B, /B
V _{App}	1 V +20%, -40%
V _{Bpp}	1 V +20%, -40%
DC offset	2.5 V ±0.5 V
Signal period	20, 40 μm
Supply V	5 V ±10%
Max. cable length	100 meters
A, B centered: $ V_1 - V_2 / 2 V_{pp}$	< 0.065
A&B relationship V _{App} / V _{Bpp}	0.8 ÷ 1.25
A&B phase shift	90° ± 10°

C. Other systems

Please contact FAGOR for information on compatibility of the encoders with other systems.

2. Systems with BiSS® interface

These systems use digital + 1 Vpp sinusoidal signals or only digital signals.

The absolute encoder with BiSS® C BP3 protocol is compatible with BiSS® C Unidirectional.

The absolute encoder is connected to the drive or system with BiSS® C BP3 or BiSS® C unidirectional interface. Please contact FAGOR for information on compatibility of the encoders with these systems.

H2A-D200i100 series

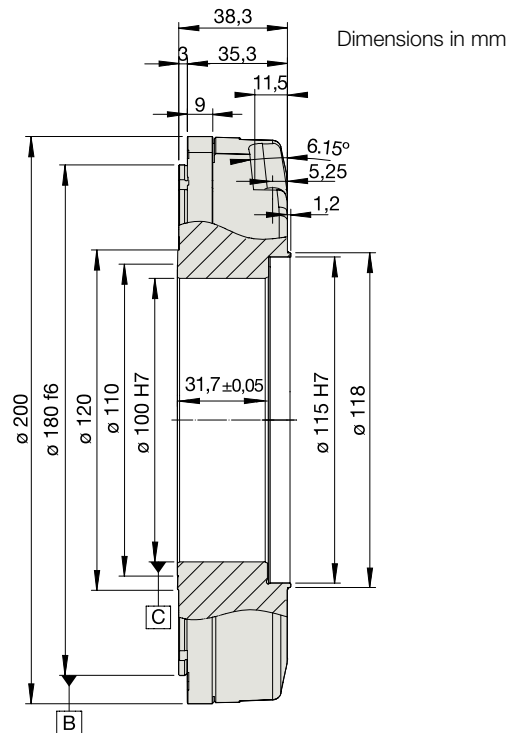
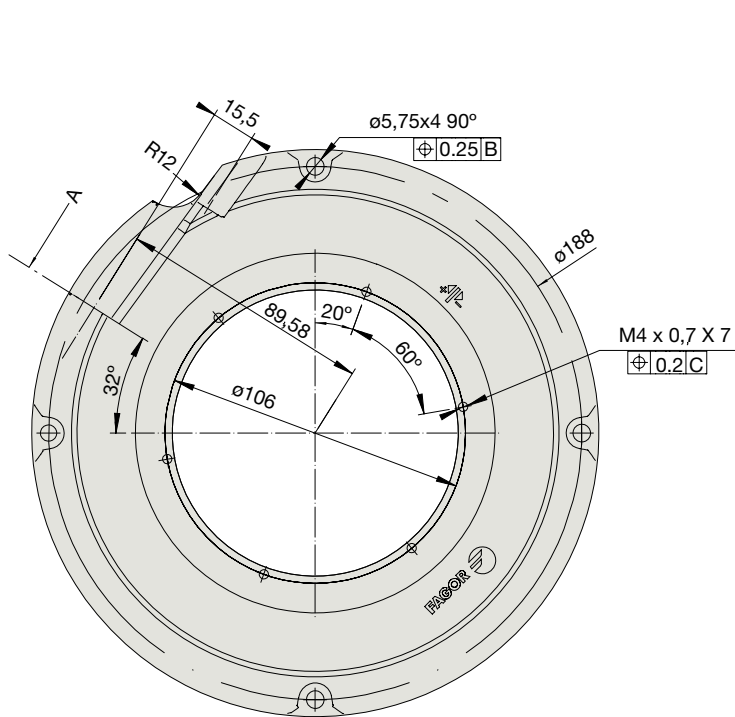


Model description:

- H2A: Absolute angular encoders with SSI protocol for FAGOR and others.
- H2AS: Absolute angular encoders with SSI protocol for SIEMENS® (Solution Line).
- H2AF: Absolute angular encoders with FANUC® (01, 02 and αi) protocol.
- H2AM: Absolute angular encoders with MITSUBISHI® CNC protocol.
- H2AP: Absolute angular encoders with PANASONIC® (Matsushita) protocol.
- H2AD: Absolute angular encoders with FeeDat® protocol for FAGOR and others.
- H2AD + EC-PA-DQ1: Absolute angular encoders with DRIVE-CLiQ® protocol, for SIEMENS® (Solution Line).
- H2AB: Absolute angular encoders with BiSS® protocol.

Characteristics

	H2A	H2AS	H2AF
Measurement	By means of graduated glass disk		
Accuracy	± 1 arc-second ± 2 arc-seconds		
Output signals	~ 1 Vpp	~ 1 Vpp	–
Resolution / Maximum number of positions per turn	27 bits (134 217 728 positions) 1 Vpp: 32 768 pulses/ turn	27 bits (134 217 728 positions) 1 Vpp: 32 768 pulses/ turn	29 bits (536 870 912 positions)
Maximum frequency	180 kHz for 1 Vpp signal	180 kHz for 1 Vpp signal	–
Maximum electrical speed	< 300 min ⁻¹	< 300 min ⁻¹	< 750 min ⁻¹
Natural frequency	> 500 Hz		
Supply	5 V (3.6...5.25); < 250 mA (without load)		
Maximum cable length	75 m (*)	100 m	30 m
Maximum mechanical speed	1000 min ⁻¹		
Inertia	10 000 g/cm ²		
Turning torque	< 0.5 Nm		
Vibration	100 m/s ² (55 ... 2000 Hz) IEC 60068-2-6		
Shock	1000 m/s ² (6 ms) IEC 60068-2-27		
Operating temperature	0°C ... 50°C		
Storage temperature	-30°C ... 80°C		
Weight	3.2 kg		
Protection	IP 64 DIN 40050 (standard) > IP 64 (DIN 40050) using pressurized air at 0.8 ± 0.2 bar in angular encoders		
Connection	With built-in connector		



Dimensions in mm

Note: more detailed information on the installation in the manual

Order identification

Example of Angular Encoder: **H2AF-29-D200i100-1**

H2	A	F	29	D200	i100	1
Type of shaft: • H2: Hollow shaft	Letter identifying the absolute encoder	Type of communications protocol: • Blank space: SSI protocol (FAGOR) • D: FeeDat® protocol (FAGOR)(*) • S: SSI SIEMENS® (SL) protocol • F: FAGOR® (01 and 02 and ci) protocol • M: MITSUBISHI® CNC protocol • P: PANASONIC® (Matsushita) protocol • B: BISS® protocol	Absolute positions per turn: • 29 bits (536 870 912 positions) • 26 bits (67 108 864 positions) • 27 bits (134 217 728 positions)	Outside diameter: • D200: 200 mm	Inside diameter: • i100: 100 mm	Accuracy: • 2: ±2" arc-seconds • 1: ±1" arc-second

(*) plus EC-PA-DQ1 with DRIVE-CLiQ® protocol for SIEMENS® (Solution Line)

Notes: Not all protocol, positions per turn and accuracy combinations are possible. Please consult with Fagor Automation for a list models.

H2AM	H2AP	H2AD	H2AD + EC-PA-DQ1	H2AB
		By means of graduated glass disk		
		± 1 arc-second ± 2 arc-seconds		
-	-	-	-	-
29 bits (536 870 912 positions)	29 bits (536 870 912 positions)	29 bits (536 870 912 positions)	29 bits (536 870 912 positions)	26 bits (67 108 864 positions)
-	-	-	-	-
< 750 min ⁻¹	< 750 min ⁻¹	< 750 min ⁻¹	< 750 min ⁻¹	< 750 min ⁻¹
		> 500 Hz		
		5 V (3.6...5.25); < 250 mA (without load)		
30 m	30 m	100 m	30 m	30 m (*)
		1000 min ⁻¹		
		10 000 g/cm ²		
		< 0.5 Nm		
		100 m/s ² (55 ... 2000 Hz) IEC 60068-2-6		
		1000 m/s ² (6 ms) IEC 60068-2-27		
		0°C ... 50°C		
		-30°C ... 80°C		
		3.2 kg		
		IP 64 DIN 40050 (standard) > IP 64 (DIN 40050) using pressurized air at 0.8 ± 0.2 bar in angular encoders		
		With built-in connector		

(*) contact Fagor Automation for other lengths.

H2A-D200 series



Model description:

- H2A: Absolute angular encoders with SSI protocol for FAGOR and others.
- H2AS: Absolute angular encoders with SSI protocol for SIEMENS® (Solution Line).
- H2AF: Absolute angular encoders with FANUC® (01, 02 and αi) protocol.
- H2AM: Absolute angular encoders with MITSUBISHI® CNC protocol.
- H2AP: Absolute angular encoders with PANASONIC® (Matsushita) protocol.
- H2AD: Absolute angular encoders with FeeDat® protocol for FAGOR and others.
- H2AD + EC-PA-DQ1: Absolute angular encoders with DRIVE-CLiQ® protocol, for SIEMENS® (Solution Line).
- H2AB: Absolute angular encoders with BiSS® protocol.

Characteristics

	H2A	H2AS	H2AF
Measurement	By means of graduated glass disk		
Accuracy	± 1 arc-second ± 2 arc-seconds		
Output signals	~ 1 Vpp	~ 1 Vpp	–
Resolution / Maximum number of positions per turn	27 bits (134 217 728 positions) 1 Vpp: 32 768 pulses/ turn	27 bits (134 217 728 positions) 1 Vpp: 32 768 pulses/ turn	29 bits (536 870 912 positions)
Maximum frequency	180 kHz for 1 Vpp signal	180 kHz for 1 Vpp signal	–
Maximum electrical speed	< 300 min ⁻¹	< 300 min ⁻¹	< 750 min ⁻¹
Natural frequency	> 1000 Hz		
Supply	5 V (3.6...5.25); < 250 mA (without load)		
Maximum cable length	75 m (*)	100 m	30 m
Maximum mechanical speed	1000 min ⁻¹		
Inertia	10 000 g/cm ²		
Turning torque	< 0.5 Nm		
Vibration	100 m/s ² (55 ... 2000 Hz) IEC 60068-2-6		
Shock	1000 m/s ² (6 ms) IEC 60068-2-27		
Operating temperature	0°C ... 50°C		
Storage temperature	-30°C ... 80°C		
Weight	3.2 kg		
Protection	IP 64 DIN 40050 (standard) > IP 64 (DIN 40050) using pressurized air at 0.8 ± 0.2 bar in angular encoders		
Connection	With built-in connector		

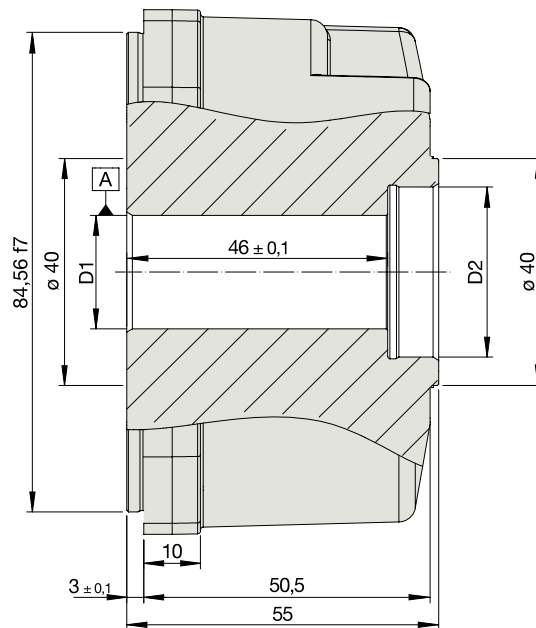
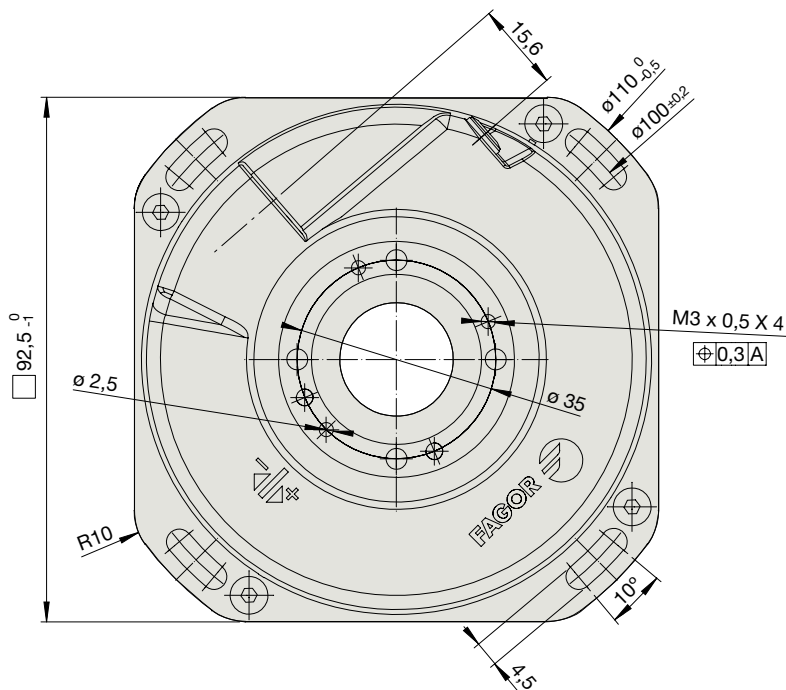
H2A-D90 series

**Model description:**

- H2A:** Absolute angular encoders with SSI protocol for FAGOR and others.
- H2AS:** Absolute angular encoders with SSI protocol for SIEMENS® (Solution Line).
- H2AF:** Absolute angular encoders with FANUC® (01, 02 and α) protocol.
- H2AM:** Absolute angular encoders with MITSUBISHI® CNC protocol.
- H2AP:** Absolute angular encoders with PANASONIC® (Matsushita) protocol.
- H2AD:** Absolute angular encoders with FeeDat® protocol for FAGOR and others.
- H2AD + EC-PA-DQ1:** Absolute angular encoders with DRIVE-CLiQ® protocol, for SIEMENS® (Solution Line).
- H2AB:** Absolute angular encoders with BiSS® protocol.

Characteristics

	H2A	H2AS	H2AF
Measurement	By means of graduated glass disk		
Accuracy	± 2.5 arc-seconds ± 5 arc-seconds		
Output signals	\sim 1 Vpp	\sim 1 Vpp	–
Resolution / Maximum number of positions per turn	23 bits (8 388 608 positions) 1 Vpp: 16 384 pulses/ turn	23 bits (8 388 608 positions) 1 Vpp: 16 384 pulses/ turn	27 bits (134 217 728 positions)
Maximum frequency	180 kHz for 1 Vpp signal	180 kHz for 1 Vpp signal	–
Maximum electrical speed	< 1500 min ⁻¹		
Natural frequency	> 1000 Hz		
Supply	5 V (3.6...5.25); < 250 mA (without load)		
Maximum cable length	75 m (*)	100 m	30 m
Maximum mechanical speed	3000 min ⁻¹		
Inertia	650 g/cm ²		
Turning torque	< 0.5 Nm		
Vibration	100 m/s ² (55 ... 2000 Hz) IEC 60068-2-6		
Shock	1000 m/s ² (6 ms) IEC 60068-2-27		
Operating temperature	0°C ... 50°C		
Storage temperature	-30°C ... 80°C		
Weight	1 kg		
Protection	IP 64 DIN 40050 (standard) > IP 64 (DIN 40050) using pressurized air at 0.8 \pm 0.2 bar in angular encoders		
Connection	With built-in connector		



Note: more detailed information on the installation in the manual

Order identification

Example of Angular Encoder: **H2AF-27-D90-2**

H2	A	F	27	D90	2
Type of shaft: • H2: Hollow shaft	Letter identifying the absolute encoder	Type of communications protocol: • Blank space: SSI protocol (FAGOR) • D: FeeDat® protocol (FAGOR)(*) • S: SSI SIEMENS® (SL) protocol • F: FANUC® (01 and 02 and αi) protocol • M: MITSUBISHI® CNC protocol • P: PANASONIC® (Matsushita) protocol • B: BiSS® protocol	Absolute positions per turn: • 23 bits (8 388 608 positions) • 26 bits (67 108 864 positions) • 27 bits (134 217 728 positions)	Outside diameter: • D90: 90 mm	Accuracy: • Blank space: ± 5" arc-seconds • 2: ± 2.5" arc-seconds

(*) plus EC-PA-DQ1 with DRIVE-CLiQ® protocol for SIEMENS® (Solution Line)

Notes: Not all protocol, positions per turn and accuracy combinations are possible. Please consult with Fagor Automation for a list models.

H2AM	H2AP	H2AD	H2AD + EC-PA-DQ1	H2AB
		By means of graduated glass disk		
		± 2.5 arc-seconds ± 5 arc-seconds		
-	-	-	-	-
27 bits (134 217 728 positions)	23 bits (8 388 608 positions)	27 bits (134 217 728 positions)	27 bits (134 217 728 positions)	26 bits (67 108 864 positions)
-	-	-	-	-
		< 1500 min ⁻¹ > 1000 Hz		
		5 V (3.6...5.25); < 250 mA (without load)		
30 m	30 m	100 m	30 m	30 m (*)
		3000 min ⁻¹ 650 g/cm ² < 0.5 Nm		
		100 m/s ² (55 ... 2000 Hz) IEC 60068-2-6 1000 m/s ² (6 ms) IEC 60068-2-27		
		0°C ... 50°C -30°C ... 80°C		
		1 kg		
		IP 64 DIN 40050 (standard) > IP 64 (DIN 40050) using pressurized air at 0.8 ± 0.2 bar in angular encoders		
		With built-in connector		

(*) contact Fagor Automation for other lengths.

S2A-D170 series

**Model description:**

- S2A:** Absolute angular encoders with SSI protocol for FAGOR and others.
- S2AS:** Absolute angular encoders with SSI protocol for SIEMENS® (Solution Line).
- S2AF:** Absolute angular encoders with FANUC® (01, 02 and α) protocol.
- S2AM:** Absolute angular encoders with MITSUBISHI® CNC protocol.
- S2AP:** Absolute angular encoders with PANASONIC® (Matsushita) protocol.
- S2AD:** Absolute angular encoders with FeeDat® protocol for FAGOR and others.
- S2AD + EC-PA-DQ1:** Absolute angular encoders with DRIVE-CLiQ® protocol, for SIEMENS® (Solution Line).
- S2AB:** Absolute angular encoders with BiSS® protocol.

Characteristics

	S2A	S2AS	S2AF
Measurement	By means of graduated glass disk		
Accuracy	± 2 arc-seconds		
Output signals	\sim 1 Vpp	\sim 1 Vpp	–
Resolution / Maximum number of positions per turn	23 bits (8 388 608 positions) 1 Vpp: 16 384 pulses/ turn	23 bits (8 388 608 positions) 1 Vpp: 16 384 pulses/ turn	27 bits (134 217 728 positions)
Maximum frequency	180 kHz for 1 Vpp signal	180 kHz for 1 Vpp signal	–
Maximum electrical speed	< 1500 min ⁻¹		
Supply	5 V (3.6...5.25); < 250 mA (without load)		
Maximum cable length	75 m (*)	100 m	30 m
Maximum mechanical speed	3000 min ⁻¹		
Inertia	350 g/cm ²		
Turning torque	< 0.01 Nm		
Load on the shaft	Axial: 1 Kg Radial: 1 Kg		
Vibration	100 m/s ² (55 ... 2000 Hz) IEC 60068-2-6		
Shock	1000 m/s ² (6 ms) IEC 60068-2-27		
Operating temperature	0°C ... 50°C		
Storage temperature	-30°C ... 80°C		
Weight	2.65 kg		
Protection	IP 64 DIN 40050 (standard) > IP 64 (DIN 40050) using pressurized air at 0.8 \pm 0.2 bar in angular encoders		
Connection	With built-in connector		

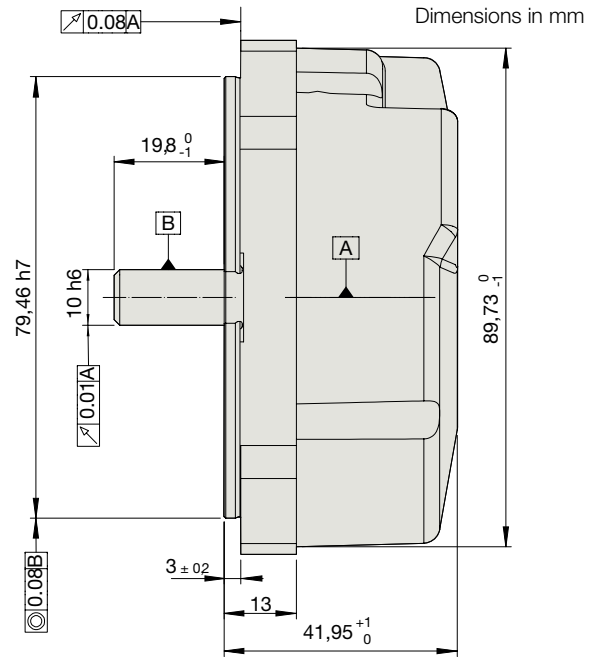
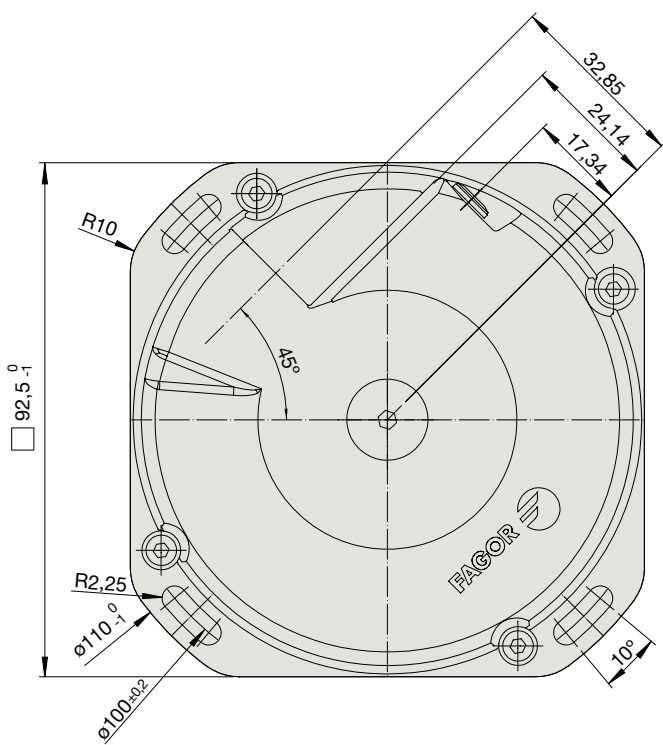
S2A-D90 series

**Model description:**

- S2A:** Absolute angular encoders with SSI protocol for FAGOR and others.
- S2AS:** Absolute angular encoders with SSI protocol for SIEMENS® (Solution Line).
- S2AF:** Absolute angular encoders with FANUC® (01, 02 and α) protocol.
- S2AM:** Absolute angular encoders with MITSUBISHI® CNC.
- S2AP:** Absolute angular encoders with PANASONIC® (Matsushita) protocol.
- S2AD:** Absolute angular encoders with FeeDat® protocol for FAGOR and others.
- S2AD + EC-PA-DQ1:** Absolute angular encoders with DRIVE-CLiQ® protocol, for SIEMENS® (Solution Line).
- S2AB:** Absolute angular encoders with BiSS® protocol.

Characteristics

	S2A	S2AS	S2AF
Measurement	By means of graduated glass disk		
Accuracy	± 2.5 arc-seconds ± 5 arc-seconds		
Output signals	~ 1 Vpp	~ 1 Vpp	–
Resolution / Maximum number of positions per turn	23 bits (8 388 608 positions) 1 Vpp: 16 384 pulses/ turn	23 bits (8 388 608 positions) 1 Vpp: 16 384 pulses/ turn	27 bits (134 217 728 positions)
Maximum frequency	180 kHz for 1 Vpp signal	180 kHz for 1 Vpp signal	–
Maximum electrical speed	< 1500 min ⁻¹		
Supply	5 V (3.6...5.25); < 250 mA (without load)		
Maximum cable length	75 m (*)	100 m	30 m
Maximum mechanical speed	10000 min ⁻¹		
Inertia	250 g/cm ²		
Turning torque	< 0.01 Nm		
Load on the shaft	Axial: 1 Kg Radial: 1 Kg		
Vibration	100 m/s ² (55 ... 2000 Hz) IEC 60068-2-6		
Shock	1000 m/s ² (6 ms) IEC 60068-2-27		
Operating temperature	-20°C ... 70°C (5"); 0°C ... 50°C (2.5")		
Storage temperature	-30°C ... 80°C		
Weight	0.8 kg		
Protection	IP 64 DIN 40050 (standard) > IP 64 (DIN 40050) using pressurized air at 0.8 ± 0.2 bar in angular encoders		
Connection	With built-in connector		



Note: more detailed information on the installation in the manual

Order identification

Example of Angular Encoder: **S2AF-27-D90-2**

S2	A	F	27	D90	2
Type of shaft: • S2: Solid shaft	Letter identifying the absolute encoder	Type of communications protocol: • Blank space: SSI protocol (FAGOR) • D: FeeDat® protocol (FAGOR)(*) • S: SSI SIEMENS® (SL) protocol • F: FANUC® (01 and 02 and α) protocol • M: MITSUBISHI® CNC protocol • P: PANASONIC® (Matsushita) protocol • B: BiSS® protocol	Absolute positions per turn: • 23 bits (8 388 608 positions) • 26 bits (67 108 864 positions) • 27 bits (134 217 728 positions)	Outside diameter: • D90: 90 mm	Accuracy: • Blank space: ±5" arc-seconds • 2: ±2.5" arc-seconds

(*) plus EC-PA-DQ1 with DRIVE-CLiQ® protocol for SIEMENS® (Solution Line)

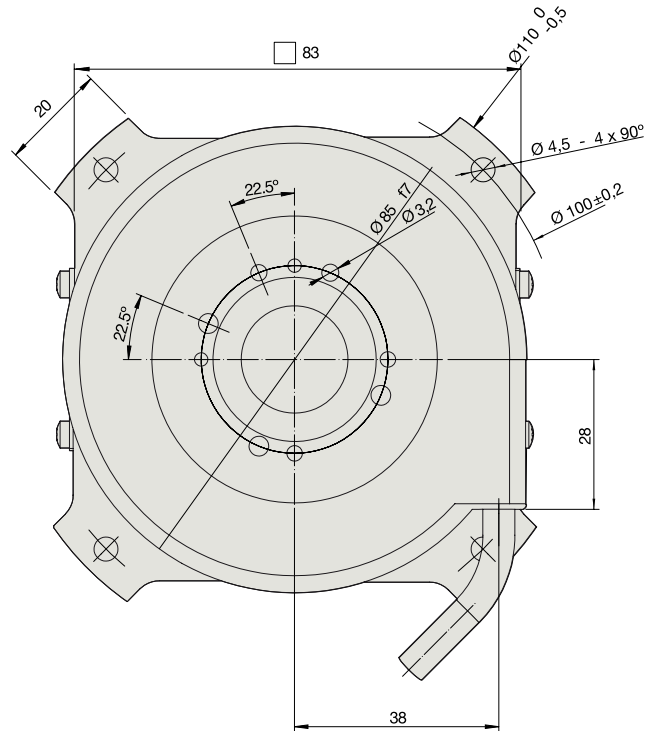
Notes: Not all protocol, positions per turn and accuracy combinations are possible. Please consult with Fagor Automation for a list models. For a different number of positions per turn, please contact Fagor Automation.

S2AM	S2AP	S2AD	S2AD + EC-PA-DQ1	S2AB
By means of graduated glass disk				
± 2.5 arc-seconds ± 5 arc-seconds				
-	-	-	-	-
27 bits (134 217 728 positions)	23 bits (8 388 608 positions)	27 bits (134 217 728 positions)	27 bits (134 217 728 positions)	26 bits (67 108 864 positions)
-	-	-	-	-
< 1500 min ⁻¹				
5 V (3.6...5.25); < 250 mA (without load)				
30 m	30 m	100 m	30 m	30 m (*)
10000 min ⁻¹				
250 g/cm ²				
< 0.01 Nm				
Axial: 1 Kg Radial: 1 Kg				
100 m/s ² (55 ... 2000 Hz) IEC 60068-2-6				
1000 m/s ² (6 ms) IEC 60068-2-27				
-20°C ... 70°C (5"); 0°C ... 50°C (2.5")				
-30°C ... 80°C				
0.8 kg				
IP 64 DIN 40050 (standard) > IP 64 (DIN 40050) using pressurized air at 0.8 ± 0.2 bar in angular encoders				
With built-in connector				

(*) contact Fagor Automation for other lengths.

H2A-D87 series

Dimensions in mm

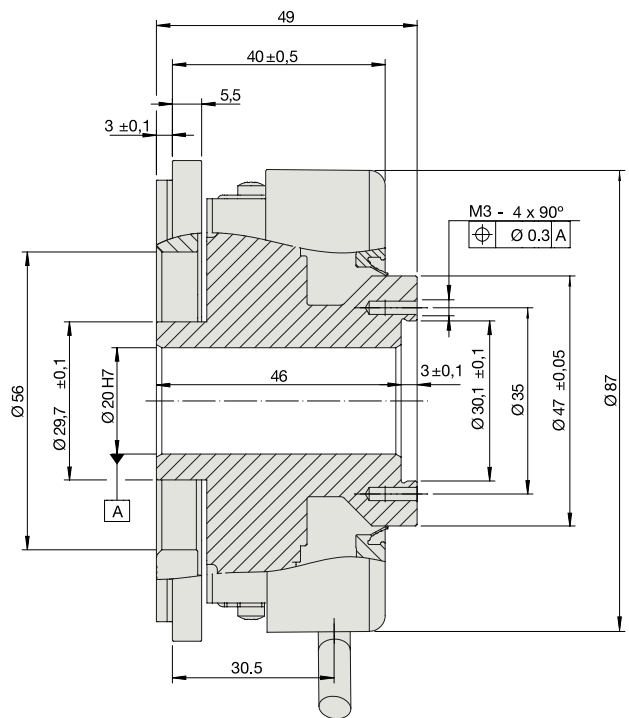


Model description:

H2AF: Absolute angular encoders with FANUC® (01, 02 and α) protocol.

Characteristics

	H2AF
Measurement	By means of graduated glass disk
Accuracy	± 10 arc-seconds
Resolution / Maximum number of positions per turn	23 bits (8 388 608 positions)
Maximum electrical speed	< 1500 min ⁻¹
Natural frequency	> 1000 Hz
Supply	5 V (3.6...5.25); < 250 mA (without load)
Maximum cable length	30
Maximum mechanical speed	3000 min ⁻¹
Inertia	650 g/cm ²
Turning torque	< 0.1 Nm
Vibration	100 m/s ² (55 ... 2000 Hz) IEC 60068-2-6
Shock	1000 m/s ² (6 ms) IEC 60068-2-27
Operating temperature	0°C ... 70°C
Storage temperature	-30°C ... 80°C
Weight	0.8 kg
Protection	IP 64 DIN 40050
Connection	With cable included

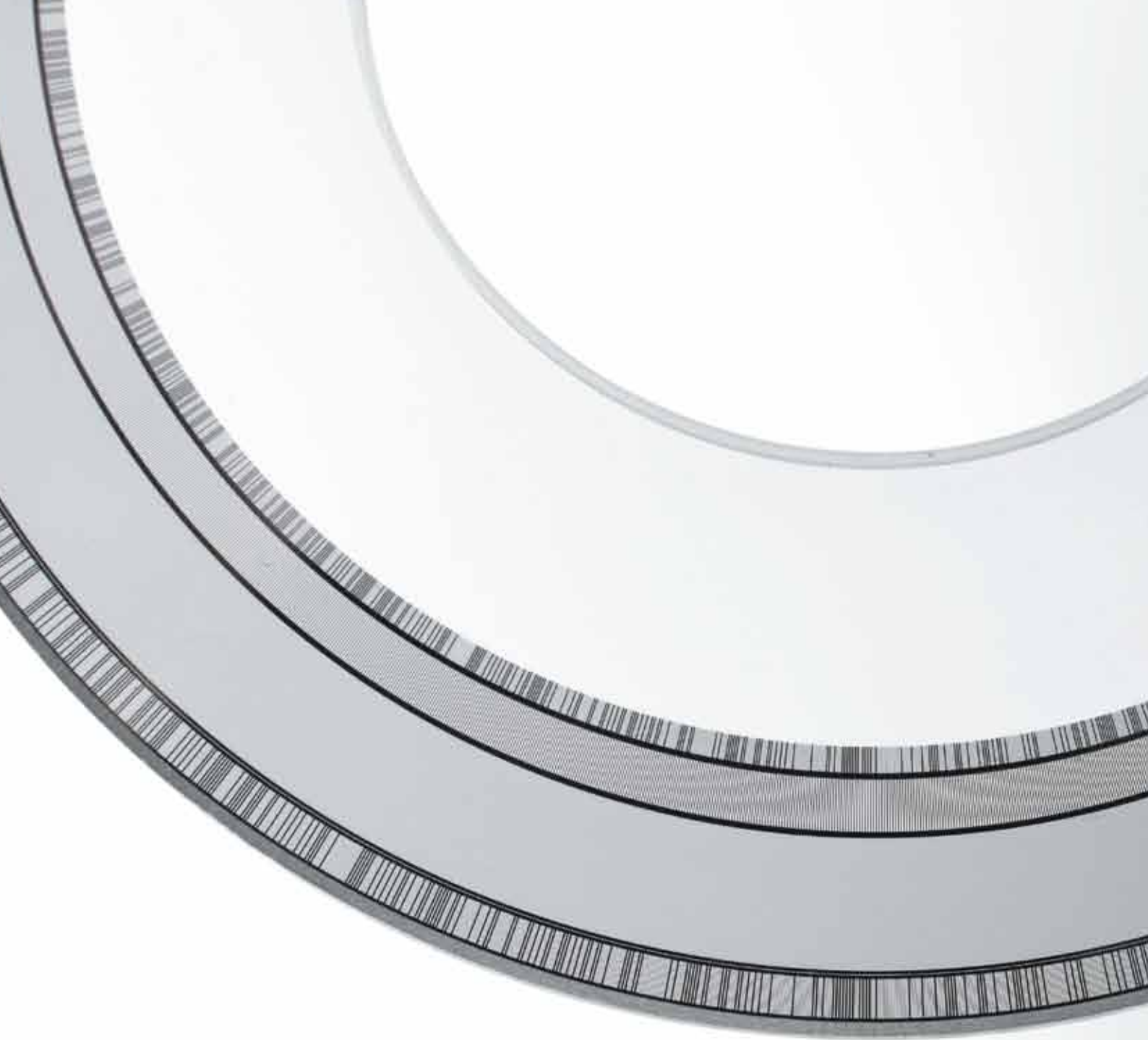


Note: more detailed information on the installation in the manual

Order identification

Example of Angular Encoder: **H2AF-23-D87i20-F-3FN**

H2	A	F	23	D87	i20	F	3	FN	
Type of shaft: • H2: Hollow shaft	Letter identifying the absolute encoder	Type of communications protocol: • F: FANUC® (01, 02 and α) protocol	Absolute positions per turn: • 23 bits (8 388 608 positions)	Outside diameter: • D87: 87 mm	Inside diameter: • i20: 20mm	Coupling type: • F: Mounting flange	Accuracy: • Blank space: ± 10 arc-seconds	Cable length: 1: 1 meter 3: 3 meters	Terminal connector: • FN: FANUC®



direct connection cables

SSI connection

UP TO 9 METERS

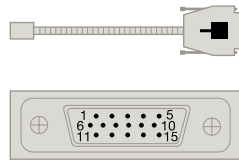
Connector for direct connection to FAGOR

EC...B-D

Lengths: 1, 3, 6 and 9 meters

SUB D 15 HD connector (male Pin )

Pin	Signal	Color
1	A	Green
2	/A	Yellow
3	B	Blue
4	/B	Red
5	Data	Grey
6	/Data	Pink
7	Clock	Black
8	/Clock	Purple
9	+5 V	Brown
10	+5 V sensor	Light green
11	0 V	White
12	0 V sensor	Orange
15	Ground	Internal shield
Housing	Ground	External shield



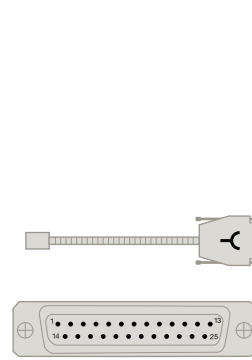
Connector for direct connection to SIEMENS® SMC20

EC-...B-S1

Lengths: 1, 3, 6 and 9 meters

SUB D 25 connector (female Pin )

Pin	Signal	Color
3	A	Green
4	/A	Yellow
6	B	Blue
7	/B	Red
15	Data	Grey
23	/Data	Pink
10	Clock	Black
12	/Clock	Purple
1	+5 V	Brown
14	+5 V sensor	Light green
2	0 V	White
16	0 V sensor	Orange
5	Ground	Internal shield
Housing	Ground	External shield



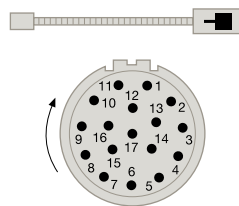
Connector for direct connection to SIEMENS® SME25

EC...B-C9

Lengths: 1, 3, 6 and 9 meters

CIRCULAR 17 connector (male Pin )

Pin	Signal	Color
15	A	Green
16	/A	Yellow
12	B	Blue
13	/B	Red
14	Data	Grey
17	/Data	Pink
8	Clock	Black
9	/Clock	Purple
7	+5 V	Brown
1	+5 V sensor	Light green
10	0 V	White
4	0 V sensor	Orange
11	Ground	Internal shield
Housing	Ground	External shield



FROM 9 METERS ON

For connection to FAGOR: EC-...B-C9 cable + XC-C8-...F-D extension cable

For connection to SIEMENS® SMC20: EC-...B-C9 cable + XC-C8-...F-S1 extension cable

For connection to SIEMENS® SME25: EC-...B-C9 cable + XC-C8-...F-C9 extension cable

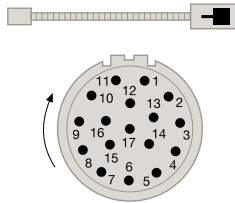
EC...B-C9

Lengths: 1 and 3 meters

(consult Fagor Automation for others)

SUB D 15 HD connector (male Pin )

Pin	Signal	Color
15	A	Green
16	/A	Yellow
12	B	Blue
13	/B	Red
14	Data	Grey
17	/Data	Pink
8	Clock	Black
9	/Clock	Purple
7	+5 V	Brown
1	+5 V sensor	Light green
10	0 V	White
4	0 V sensor	Orange
11	Ground	Internal shield
Housing	Ground	External shield



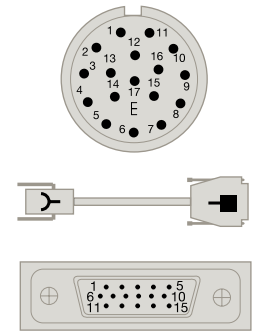
XC-C8-...F-D extension cable

Lengths: 5, 10, 15, 20 and 25 meters

CIRCULAR 17 connector (female Pin )

SUB D 15 HD connector (male Pin )

Pin	Pin	Signal	Color
15	1	A	Green/Black
16	2	/A	Yellow/Black
12	3	B	Blue/Black
13	4	/B	Red/Black
14	5	Data	Grey
17	6	/Data	Pink
8	7	Clock	Purple
9	8	/Clock	Yellow
7	9	+5 V	Brown/Green
1	10	+5 V sensor	Blue
10	11	0 V	White/Green
4	12	0 V sensor	White
11	15	Ground	Internal shield
Housing	Housing	Ground	External shield



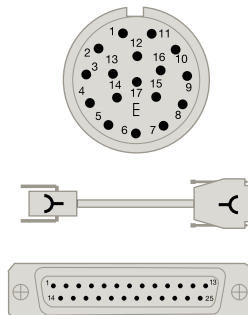
XC-C8-...F-S1 extension cable

Lengths: 5, 10, 15, 20 and 25 meters

CIRCULAR 17 connector (female Pin )

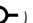
SUB D25 connector (female Pin )

Pin	Pin	Signal	Color
15	3	A	Green/Black
16	4	/A	Yellow/Black
12	6	B	Blue/Black
13	7	/B	Red/Black
14	15	Data	Grey
17	23	/Data	Pink
8	10	Clock	Purple
9	12	/Clock	Yellow
7	1	+5 V	Brown/Green
1	14	+5 V sensor	Blue
10	2	0 V	White/Green
4	16	0 V sensor	White
11	5	Ground	Internal shield
Housing	Housing	Ground	External shield



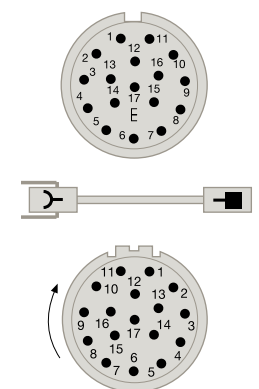
XC-C8-...F-C9 extension cable

Lengths: 5, 10, 15, 20 and 25 meters

CIRCULAR 17 connector (female Pin )

CIRCULAR 17 connector (male Pin )

Pin	Pin	Signal	Color
15	15	A	Green/Black
16	16	/A	Yellow/Black
12	12	B	Blue/Black
13	13	/B	Red/Black
14	14	Data	Grey
17	17	/Data	Pink
8	8	Clock	Purple
9	9	/Clock	Yellow
7	7	+5 V	Brown/Green
1	1	+5 V sensor	Blue
10	10	0 V	White/Green
4	4	0 V sensor	White
11	11	Ground	Internal shield
Housing	Housing	Ground	External shield



direct connection cables

Connection to other CNC's

UP TO 9 METERS

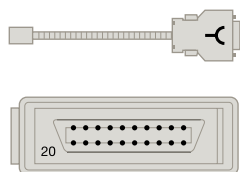
Connector for direct connection to FANUC®

EC...PA-FN

Lengths: 1, 3, 6 and 9 meters

HONDA / HIROSE connector (female Pin ⚔)

Pin	Signal	Color
1	Data	Green
2	/Data	Yellow
5	Request	Blue
6	/Request	Red
9	+5 V	Brown
18-20	+5 V sensor	Grey
12	0 V	White
14	0 V sensor	Pink
16	Ground	Shield



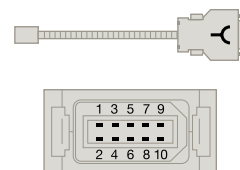
Connector for direct connection to MITSUBISHI®

EC...AM-MB

Lengths: 1, 3, 6 and 9 meters

10-pin MOLEX/3M RECTANGULAR connector (female Pin ⚔)

Pin	Signal	Color
7	SD (MD)	Green
8	/SD (MD)	Yellow
3	RQ (MR)	Grey
4	/RQ (MR)	Pink
1	+5 V	Brown + purple
2	0 V	White + black + blue
Housing	Ground	Shield



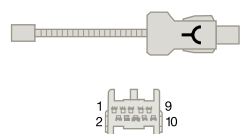
Connector for direct connection to PANASONIC® MINAS A5

EC...PA-PN5

Lengths: 1, 3, 6 and 9 meters

PANASONIC 10 pin connector (female Pin ⚔)

Pin	Signal	Color
3	Data	Green
4	/Data	Yellow
1	+5 V	Brown + grey
2	0 V	White + pink
Housing	Ground	Shield



Connector for connection with extension cable (M12 H-RJ45) to SIEMENS® Sinamics/Sinumerik

EC...PA-DQ1

Lengths: 1, 3, 6 and 9 meters

Pin	Signal
3	RXP
4	RXN
6	TXN
7	TXP
1	Vcc (24 V)
2	0 V



A

FROM 9 METERS ON

For connection to FANUC®: EC...B-C9 cable+ XC-C8...FN extension cable


For connection to MITSUBISHI®: EC...B-C9-F cable + XC-C8...MB extension cable

For connection to PANASONIC® MINAS A5: EC...B-C9 cable + XC-C8...A-PN5 extension cable

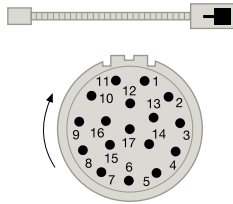
For connection to SIEMENS®: EC...PA-DQ1 cable + (M12 H-RJ45) extension cable

EC...B-C9

Lengths: 1 and 3 meters
(consult Fagor Automation for others)


Conector SUB D 15 HD (Pin macho )

Pin	Signal	Color
14	Data	Grey
17	/Data	Pink
8	Request	Black
9	/Request	Purple
7	+5 V	Brown
1	+5 V sensor	Light green
10	0 V	White
4	0 V sensor	Orange
Housing	Ground	Shield

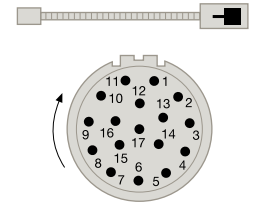


EC...B-C9-F

Lengths: 1 and 3 m with Ferrite
(consult Fagor Automation for others)

Conector SUB D 15 HD (Pin macho )

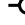
Pin	Signal	Color
14	Data	Grey
17	/Data	Pink
8	Request	Black
9	/Request	Purple
7	+5 V	Brown
1	+5 V sensor	Light green
10	0 V	White
4	0 V sensor	Orange
Housing	Ground	Shield



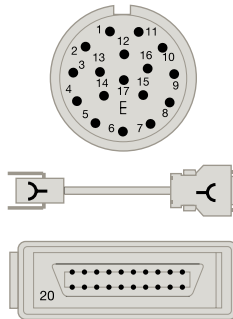
XC-C8...FN extension cable

Lengths: 5, 10, 15, 20 and 25 meters

CIRCULAR 17 connector (female Pin )

HONDA / HIROSE connector (female Pin )


Pin	Pin	Signal	Color
14	1	Data	Grey
17	2	/Data	Pink
8	5	Request	Purple
9	6	/Request	Yellow
7	9	+5 V	Brown/Green
1	18-20	+5 V sensor	Blue
10	12	0 V	White/Green
4	14	0 V sensor	White
Housing	16	Ground	Shield



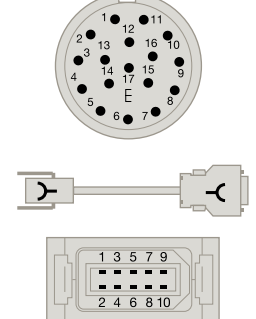
XC-C8...MB extension cable

Lengths: 5, 10, 15, 20 and 25 meters

CIRCULAR 17 connector (female Pin )

10-pin MOLEX/3M RECTANGULAR connector (female Pin )


Pin	Pin	Signal	Color
8	7	SD (MD)	Purple
9	8	/SD (MD)	Yellow
14	3	RQ (MR)	Grey
17	4	/RQ (MR)	Pink
7	1	+5 V	Brown/Green
1	1	+5 V sensor	Blue
10	2	GND	White/Green
4	2	0 V sensor	White
12	2	SEL	Black
Housing	Housing	Ground	Shield



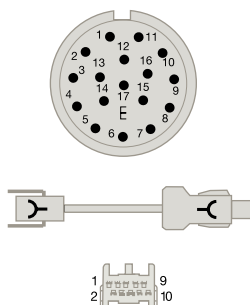
XC-C8...A-PN5 extension cable

Lengths: 5, 10, 15, 20 and 25 meters

CIRCULAR 17 connector (female Pin )

PANASONIC 10 pin connector (female Pin )

Pin	Pin	Signal	Color
14	3	Data	Grey
17	4	/Data	Pink
7	1	+5 V	Brown+Black
1	1	+5 V sensor	Green+Yellow
10	2	GND	White+Purple
4	2	GND sensor	Blue+Red
Housing	Housing	Ground	Shield



Range

Analyze the application to make sure that the proper encoder will be selected for the machine.

To do this, bear in mind the following considerations:

Installation: Consider the physical length of the installation and the space available for it. It is essential to determine its type of shaft: Hollow or solid.

Accuracy: Each angular encoder comes with a graph showing its accuracy along its measuring length.

Signal: La selección de la señal considera las siguientes variables: Resolución, longitud de cable y compatibilidad.

Resolution: The resolution of the control of machine-tools depends on the angular encoder.

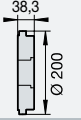
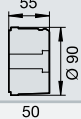
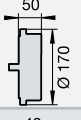
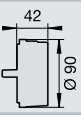
Cable length: The length of the cable depends on the type of signal.

Speed: The speed requirements for the application must be analyzed before choosing the linear encoder.

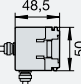
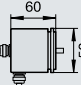
Shock and Vibration: Fagor angular encoders withstand vibrations of up to 100 m/s² and shocks of up to 1000 m/s².

Alarm signal: Models H2-D200, H2-D90, S2-D170 and S2-D90 offer the alarm signal AL.

Angular

Series	Section
H2-D200	
H2-D90	
S2-D170	
S2-D90	

Rotary

Series	Section
H	
S	

Tecnología

The incremental encoders provide direct measure of machine position without using any intermediate device.

The positioning errors originating from machine mechanics are minimized as the encoder is directly mounted to the machine surface and the guide ways. The encoder sends the real machine movement data to the CNC and mechanical errors caused due to thermal behavior of the machine, pitch error compensation and backlash etc. are minimized.

Measuring Methods

Fagor Automation uses the graduated glass measuring method in its incremental angular and rotary encoders

The light from the LED goes through an engraved glass and a reticule before reaching the receiving photo diodes. The measurement is made based on the pitch determined by the number of pulses/turn.

Types of incremental encoders

- **Angular encoder:** Used as an angular movement sensor on machines/devices requiring high resolution and accuracy. Fagor Angular encoders offer from 18 000 to 360 000 pulses/turn and accuracy levels of ± 5", ± 2.5" and ± 2" depending on the model.
- **Rotary encoder:** Used as a measuring sensor for rotary movements, angular speeds and also linear movement when connected to a mechanical device like ball screw. They are also used on various types of machine tools and robotic applications.

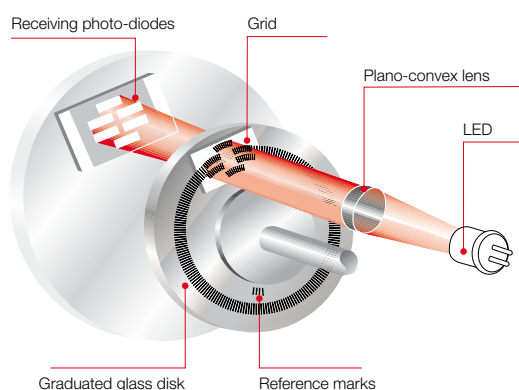
In them, the graduated disk of the measuring system is attached directly to the shaft. They have bearings and couplings that serve as guide and adjustment.

Couplings, besides minimizing the static and dynamic deviations, compensate for axial movements of the shaft providing easier mounting, smaller size and the possibility of hollow shafts.

Type of shaft	Accuracy	Signals	Model	Page
Hollow shaft	±2"	~ 1 Vpp	H2P-D200 / H2OP-D200	34
		⌋ TTL	H2-D200 / H2O-D200	
Hollow shaft	±2.5" ±5"	~ 1 Vpp	H2P-D90 / H2OP-D90	36
		⌋ TTL	H2-D90 / H2O-D90	
Solid shaft	±2"	~ 1 Vpp	S2P-D170 / S2OP-D170	38
		⌋ TTL	S2-D170 / S2O-D170	
Solid shaft	±2.5" ±5"	~ 1 Vpp	S2P-D90 / S2OP-D90	40
		⌋ TTL	S2-D90 / S2O-D90	

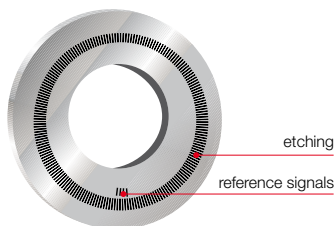
Type of shaft	Accuracy	Signals	Model	Page
Hollow shaft	± 1/10 of the pitch	~ 1 Vpp	HP	42
		⌋ TTL	H / HA	
Solid shaft	± 1/10 of the pitch	~ 1 Vpp	SP	42
		⌋ TTL	S	

Graduated glass disk

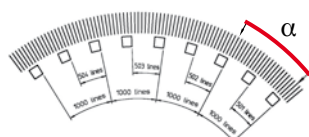


Angular encoder

Incremental



Distance-coded



Reference signals (I₀)

It is a reference signal etched on a graduation and when scanned by the measuring system generates a pulse. Reference marks are used to validate and restore the machine zero position specially after turning on the machine power.

Fagor Automation encoders have three types of reference marks I₀:

- **Incremental:** The reference signal obtained is synchronized with the feedback signals to ensure perfect measuring repeatability.
- **Distance-coded:** Both on linear and angular encoders each distance coded reference signal is graduated in a non linear way based on the predefined mathematical function. The machine position value can be restored by moving through two consecutive reference signals. The machine movement needed to know the real position is always very small and this is a very useful feature for large travel machines.

Series	Nr. of lines	Nr. of references	Angle α
H2-D90	18 000	36	20°
S2-D90			
S2-D170			
H2-D200	36 000	72	10°
H2-D200			

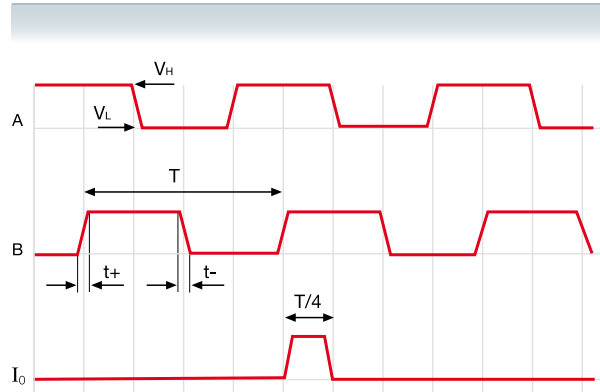
Electrical output signals

Differential TTL

These are complementary signals in compliance with the EIA standard RS-422. This characteristic together with a line termination of 120 Ω, twisted pair, and an overall shield provide greater immunity to electromagnetic noise caused by their environment.

Characteristics

Signals	A, /A, B, /B, I ₀ , /I ₀
Signal level	V _H ≥ 2.5V I _H = 20 mA V _L ≤ 0.5V I _L = 20 mA With 1 m cable
90° reference signal (I ₀)	Synchronized with A and B
Switching time	t ₊ /t ₋ < 30 ns With 1 m cable
Supply voltage and consumption	5 V ± 5%, 100 mA
T period	4, 2, 0.4, 0.2 μm
Max. cable length	50 meters
Load impedance	Z ₀ = 120 Ω between differential



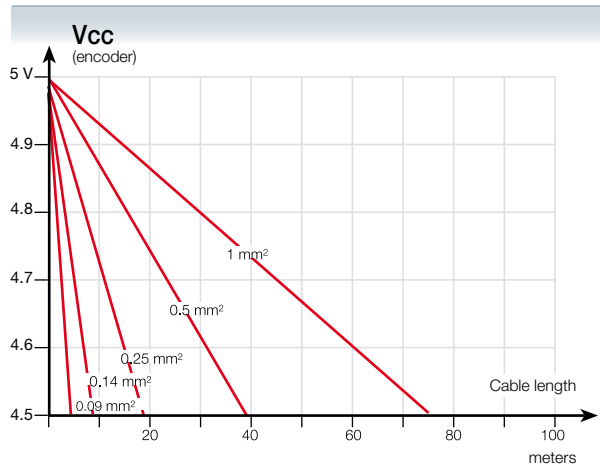
Voltage drop across cable

The voltage required for a TTL encoder must be 5V ± 5%. A simple formula may be used to calculate the maximum cable length depending on the section of the supply cables.

$$L_{max} = (V_{CC} - 4.5) * 500 / (Z_{CABLE/Km} * I_{MAX})$$

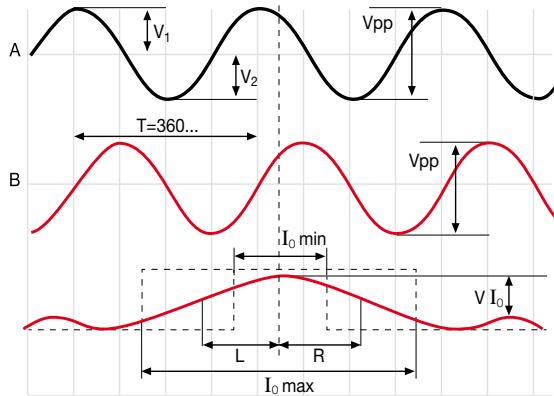
Example

V _{CC} = 5V, I _{MAX}	=	0.2 Amp (With 120 Ω load)
Z (1 mm ²)	=	16.6 Ω/Km (L_{max} = 75 m)
Z (0.5 mm ²)	=	32 Ω/Km (L_{max} = 39 m)
Z (0.25 mm ²)	=	66 Ω/Km (L_{max} = 19 m)
Z (0.14 mm ²)	=	132 Ω/Km (L_{max} = 9 m)
Z (0.09 mm ²)	=	232 Ω/Km (L_{max} = 5 m)



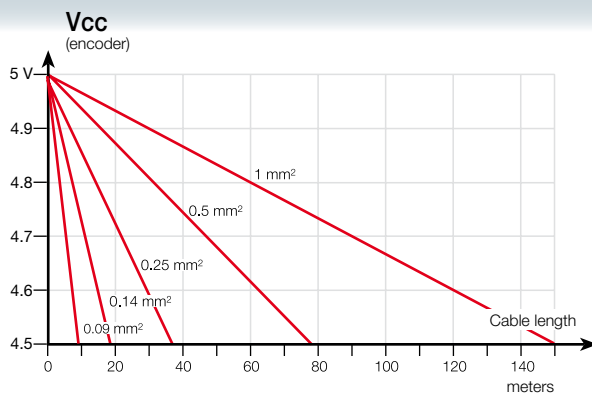
Differential 1 Vpp

They are complementary sinusoidal signals whose differential value is 1 Vpp centered on $V_{CC/2}$. This characteristic together with a line termination of 120Ω , twisted pair, and an overall shield provide greater immunity to electromagnetic noise caused by their environment.



Characteristics

Signals	A, /A, B, /B, I ₀ / I ₀
V _{App}	1 V +20%, -40%
V _{Bpp}	1 V +20%, -40%
DC offset	2.5 V ± 0.5 V
Signal period	20 μm, 40 μm
Supply V	5 V ± 10%
Max. cable length	150 meters
A, B centered: $ V_1 - V_2 / 2 V_{pp}$	≤ 0.065
A&B relationship: V_{App} / V_{Bpp}	0.8 ÷ 1.25
A&B phase shift:	90° ± 10°
I ₀ amplitude: V_{I_0}	0.2 ÷ 0.8 V
I ₀ width: L + R	I _{0_min} : 180° I _{0_typ} : 360° I _{0_max} : 540°
I ₀ synchronism: L, R	180° ± 90°



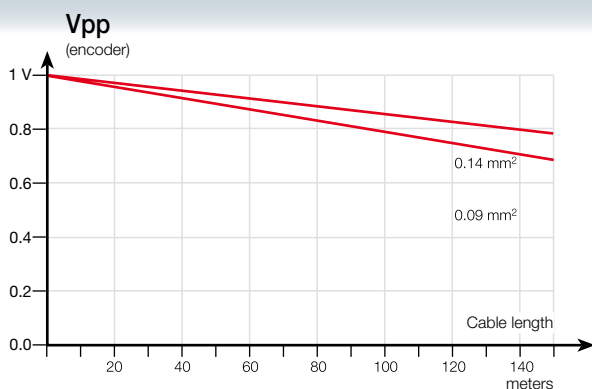
Voltage drop across cable

The voltage required for a 1 Vpp encoder must be $5 V \pm 10\%$. A simple formula may be used to calculate the maximum cable length depending on the section of the supply cables:

$$L_{max} = (V_{CC} - 4.5) * 500 / (Z_{CABLE/Km} * I_{MAX})$$

Example

V _{cc}	=	5V, I _{MAX} = 0.1Amp
Z (1 mm ²)	=	16.6 Ω/Km (L_{max} = 150 m)
Z (0.5 mm ²)	=	32 Ω/Km (L_{max} = 78 m)
Z (0.25 mm ²)	=	66 Ω/Km (L_{max} = 37 m)
Z (0.14 mm ²)	=	132 Ω/ Km (L_{max} = 18 m)
Z (0.09 mm ²)	=	232 Ω/ Km (L_{max} = 10 m)



1 Vpp signal damping due to the cable section

Besides attenuation due to signal frequency, there is another signal attenuation caused by the section of the cable connected to the encoder.

H2-D200 series



Characteristics

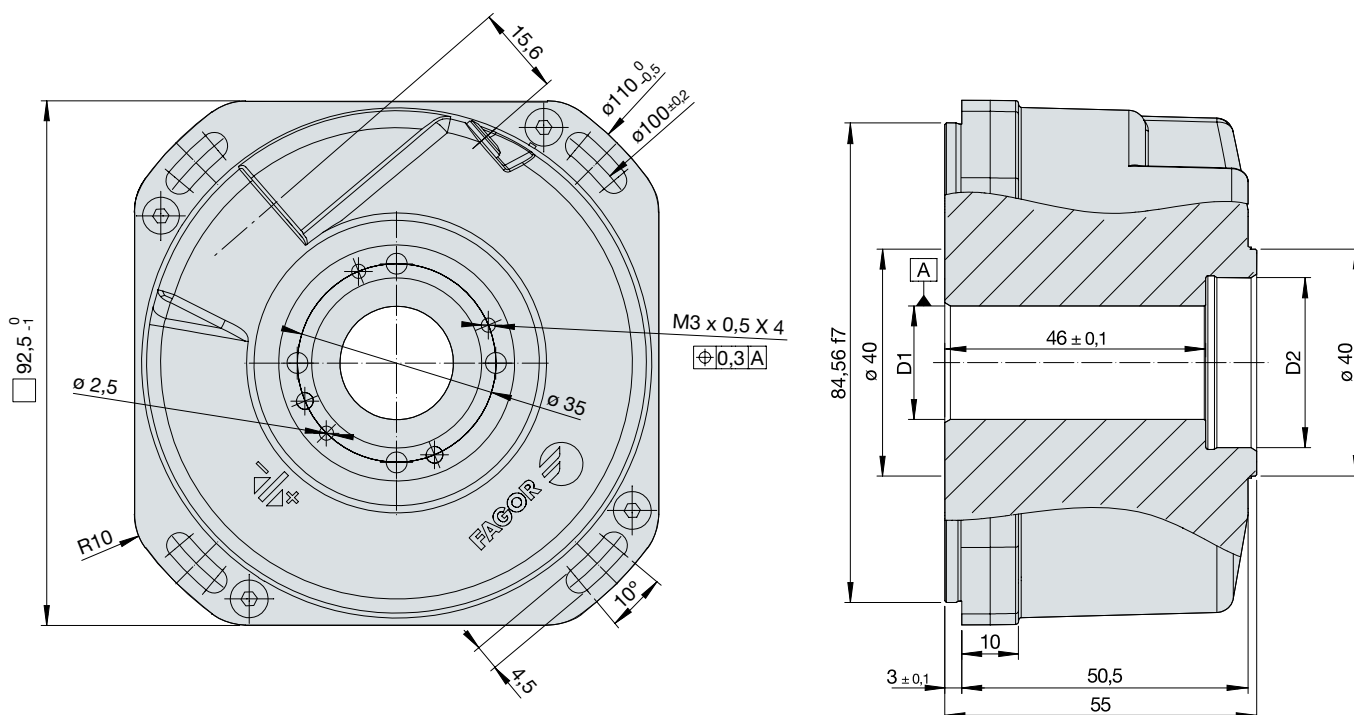
	H2-18000	H2-36000	H2-90000
Measurement	By means of graduated glass disk		
Accuracy	±2 arc-seconds		
Output signals	□□ TTL differential	□□ TTL differential	□□ TTL differential
Number of pulses/turn	18 000 pulses/ turn	36 000 pulses/ turn	90 000 pulses/ turn
Maximum frequency	1 Mhz	1 Mhz	1 Mhz
Maximum electrical speed	< 1 000 min ⁻¹	< 1 000 min ⁻¹	< 666 min ⁻¹
Natural frequency	> 1000 Hz		
Supply	5 V ± 5%; < 150 mA (without load)	5 V ± 5%; < 150 mA (without load)	5 V ± 5%; < 150 mA (without load)
Maximum cable length	50 m	50 m	50 m
Maximum mechanical speed	1000 min ⁻¹		
Inertia	10 000 g/cm ²		
Turning torque	< 0.5 Nm		
Vibration	100 m/s ² (55 ... 2000 Hz) IEC 60068-2-6		
Shock	1000 m/s ² (6 ms) IEC 60068-2-27		
Reference signal I ₀	One reference signal per encoder turn or distance-coded I ₀		
Operating temperature	0°C ... 50°C		
Storage temperature	-30°C ... 80°C		
Weight	3.2 kg		
Protection	IP 64 DIN 40050 (standard) > IP 64 (DIN 40050) using pressurized air at 0.8 ± 0.2 bar in angular encoders		
Connection	With built-in connector		

H2-D90 series



Characteristics

	H2-18000	H2-90000	H2-180000	H2P-18000
Measurement	By means of graduated glass disk			
Accuracy	±2.5 arc-seconds ±5 arc-seconds			
Output signals	□ TTL differential	□ TTL differential	□ TTL differential	~ 1 Vpp
Number of pulses/turn	18 000 pulses/ turn	90 000 pulses/ turn	180 000 pulses/ turn	18 000 pulses/ turn
Maximum frequency	1 Mhz	1 Mhz	1 Mhz	180 kHz
Maximum electrical speed	< 3000 min ⁻¹	< 666 min ⁻¹	< 333 min ⁻¹	< 600 min ⁻¹
Natural frequency	> 1000 Hz			
Supply	5 V ± 5%; < 150 mA (without load)	5 V ± 5%; < 150 mA (without load)	5 V ± 5%; < 150 mA (without load)	5 V ± 10%; < 150 mA (without load)
Maximum cable length	50 m	50 m	50 m	150 m
Maximum mechanical speed	3000 min ⁻¹			
Inertia	650 g/cm ²			
Turning torque	< 0.08 Nm			
Vibration	100 m/s ² (55 ... 2000 Hz) IEC 60068-2-6			
Shock	1000 m/s ² (6 ms) IEC 60068-2-27			
Reference signal I ₀	One reference signal per encoder turn or distance-coded I ₀			
Operating temperature	0°C ... 50°C			
Storage temperature	-30°C ... 80°C			
Weight	1 kg			
Protection	IP 64 DIN 40050 (standard) > IP 64 (DIN 40050) using pressurized air at 0.8 ± 0.2 bar in angular encoders			
Connection	With built-in connector			



Note: more detailed information on the installation in the manual

Order identification

Example of Angular Encoder: **H20P-18000-D90-2**

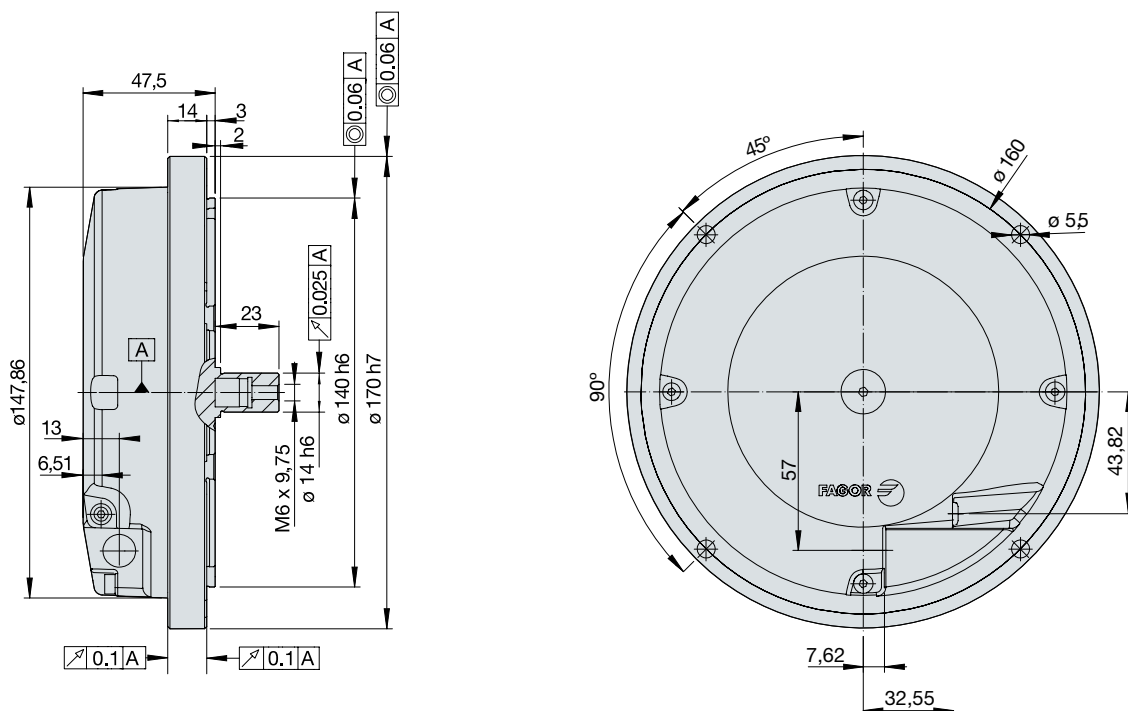
H2	O	P	18000	D90	2
Type of shaft: • H2: Hollow shaft	Type of reference mark I_C: • Blank space: Incremental, one per revolution • O: Distance-coded marks	Type of signal: • Blank space: Differential TTL • P: 1 Vpp sinusoidal	Number of pulses/turn of the first feedback: • 18000: on 1 Vpp and TTL models • 90000: only on TTL models • 180000: only on TTL models	Outside diameter: • D90: 90 mm	Accuracy: • 2: ± 2.5" arc-seconds • 5: ± 5" arc-seconds

S2-D170 series



Characteristics

	S2-18000	S2-90000	S2-180000	S2P-18000
Measurement	By means of graduated glass disk			
Accuracy	±2 arc-seconds			
Output signals	□ TTL differential	□ TTL differential	□ TTL differential	~ 1 Vpp
Number of pulses/turn	18 000 pulses/ turn	90 000 pulses/ turn	180 000 pulses/ turn	18 000 pulses/ turn
Maximum frequency	1 Mhz	1 Mhz	1 Mhz	180 kHz
Maximum electrical speed	< 3000 min ⁻¹	< 666 min ⁻¹	< 333 min ⁻¹	< 600 min ⁻¹
Supply	5 V ± 5%; < 150 mA (without load)	5 V ± 5%; < 150 mA (without load)	5 V ± 5%; < 150 mA (without load)	5 V ± 10%; < 150 mA (without load)
Maximum cable length	50 m	50 m	50 m	150 m
Maximum mechanical speed	3000 min ⁻¹			
Inertia	350 g/cm ²			
Turning torque	< 0.01 Nm			
Load of shaft	Axial: 1 kg Radial: 1 kg			
Vibration	100 m/s ² (55 ... 2000 Hz) IEC 60068-2-6			
Shock	1000 m/s ² (6 ms) IEC 60068-2-27			
Reference signal I ₀	One reference signal per encoder turn or distance-coded I ₀			
Operating temperature	0°C ... 50°C			
Storage temperature	-30°C ... 80°C			
Weight	2.65 kg			
Protection	IP 64 DIN 40050 (standard) > IP 64 (DIN 40050) using pressurized air at 0.8 ± 0.2 bar in angular encoders			
Connection	With built-in connector			



Note: more detailed information on the installation in the manual

Order identification

Example of Angular Encoder: **S2OP-18000-D170-2**

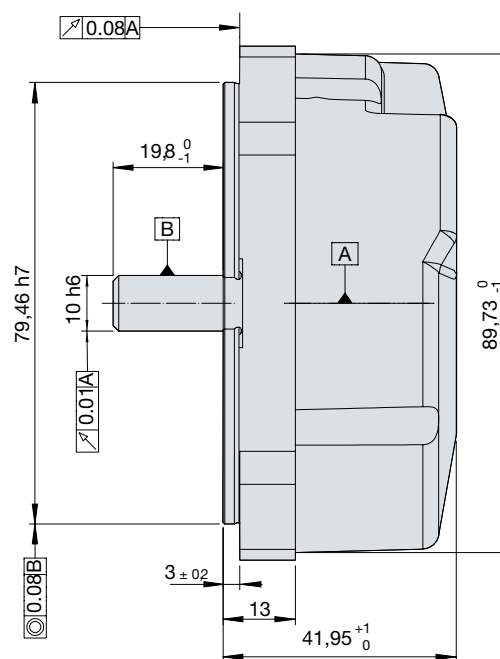
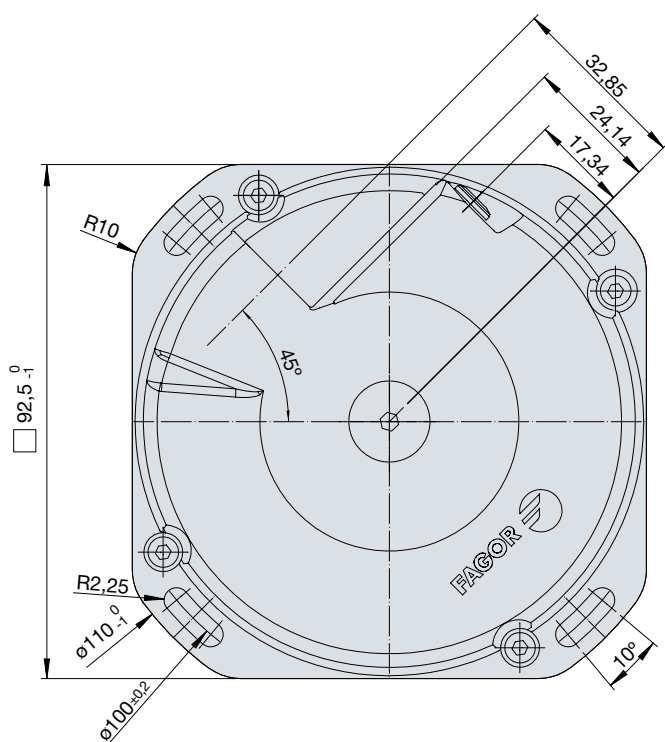
S2	O	P	18000	D170	2
Type of shaft: • S2: Solid shaft	Type of reference mark I_Q: • Blank space: Incremental, one per revolution • O: Distance-coded marks	Type of signal: • Blank space: Differential TTL • P: 1 Vpp sinusoidal	Number of pulses/turn of the first feedback: • 18000: on 1 Vpp and TTL models • 90000: only on TTL models • 180000: only on TTL models	Outside diameter: • D170: 170 mm	Accuracy: • 2: ±2" arc-seconds

S2-D90 series



Characteristics

	S2-18000	S2-90000	S2-180000	S2P-18000
Measurement	By means of graduated glass disk			
Accuracy	±2.5 arc-seconds ±5 arc-seconds			
Output signals	□ TTL differential	□ TTL differential	□ TTL differential	~ 1 Vpp
Number of pulses/turn	18 000 pulses/ turn	90 000 pulses/ turn	180 000 pulses/ turn	18 000 pulses/ turn
Maximum frequency	1 Mhz	1 Mhz	1 Mhz	180 kHz
Maximum electrical speed	< 3000 min ⁻¹	< 666 min ⁻¹	< 333 min ⁻¹	< 600 min ⁻¹
Supply	5 V ± 5%; < 150 mA (without load)	5 V ± 5%; < 150 mA (without load)	5 V ± 5%; < 150 mA (without load)	5 V ± 10%; < 150 mA (without load)
Maximum cable length	50 m	50 m	50 m	150 m
Maximum mechanical speed	10 000 min ⁻¹			
Inertia	2450 g/cm ²			
Turning torque	< 0.01 Nm			
Load of shaft	Axial: 1 kg Radial: 1 kg			
Vibration	100 m/s ² (55 ... 2000 Hz) IEC 60068-2-6			
Shock	1000 m/s ² (6 ms) IEC 60068-2-27			
Reference signal I₀	One reference signal per encoder turn or distance-coded I ₀			
Operating temperature	0°C ... 50°C			
Storage temperature	-30°C ... 80°C			
Weight	0.8 kg			
Protection	IP 64 DIN 40050 (standard) > IP 64 (DIN 40050) using pressurized air at 0.8 ± 0.2 bar in angular encoders			
Connection	With built-in connector			



Note: more detailed information on the installation in the manual

Order identification

Example of Angular Encoder: **S20P-18000-D90-2**

S2	O	P	18000	D90	2
Type of shaft: • S2: Solid shaft	Type of reference mark I₀: • Blank space: Incremental, one per revolution • O: Distance-coded marks	Type of signal: • Blank space: Differential TTL • P: 1 Vpp sinusoidal	Number of pulses/turn of the first feedback: • 18000: on 1 Vpp and TTL models • 90000: only on TTL models • 180000: only on TTL models	Outside diameter: • D90: 90 mm	Accuracy: • 2: ±2.5" arc-seconds • 5: ±5" arc-seconds

H, S series



General characteristics

	S	SP	H	HP	HA
Measurement	Up to 625 pulses/turn: By means of perforated metallic disk From 625 pulses/turn on: By means of graduated glass disk				
Accuracy	± 1/10 of the pitch				
Maximum speed	12 000 rpm				6 000 rpm
Vibration	100 m/seg ² (10 ÷ 2000 Hz)				
Shock	300 m/seg ² (11 m/seg)				
Inertia	16 gr/cm ²				30 gr/cm ²
Turning torque	0.003 Nm (30 gr/cm) max. at 20 °C				0.02 Nm (200 gr/cm)
Type of shaft	Solid shaft		Hollow shaft		Hollow shaft
Maximum load on the shaft	Axial: 10 N Radial: 20 N		-		-
Weight	0.3 kg				0.5 kg
Ambient characteristics:					
Running temperature	0 °C...+70 °C				
Storage temperature	-30 °C...+80 °C				
Relative humidity	98% non-condensing				
Protection	IP 64 (DIN 40050). On S and SP models: Optional IP 66				IP 65
Light source	IRED (InfraRed Emitting Diode)				
Maximum frequency	200 KHz				300 KHz
Reference signal I₀	One reference signal per encoder turn				
Supply voltage	5 V ± 5% (TTL)	5 V ± 10% (1 Vpp)	5 V ± 5% (TTL)	5 V ± 10% (1 Vpp)	5 V ± 5% (TTL)
Consumption	70 mA typical, 100 mA max. (without load)				
Output signals	□ TTL differential	~ 1 Vpp	□ TTL differential	~ 1 Vpp	□ TTL differential
Maximum cable length	50 m	150 m	50 m	150 m	50 m

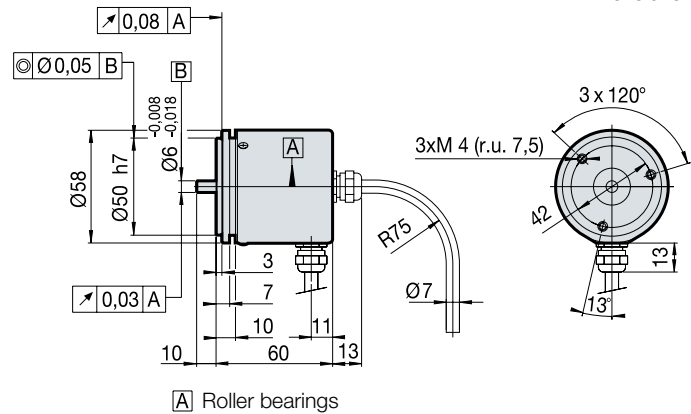
Number of pulses/turn

	S	SP	H	HP	HA
	100	-	100	-	-
	200	-	200	-	-
	250	-	250	-	-
	400	-	400	-	-
	500	-	500	-	-
	600	-	600	-	-
	635	-	635	-	-
	1 000	1 000	1 000	1 000	-
	1 024	1 024	1 024	1 024	1 024
	1 250	1 250	1 250	1 250	1 800
	1 270	1 270	1 270	1 270	2 000
	1 500	1 500	1 500	1 500	2 048
	2 000	2 000	2 000	2 000	2 500
	2 500	2 500	2 500	2 500	3 000
	3 000	3 000	3 000	3 000	3 600
	-	3 600	-	-	4 000
	-	4 320	-	-	4 096
	5 000	5 000	5 000	5 000	5 000
	-	-	-	-	10 000

S, SP models



Dimensions in mm



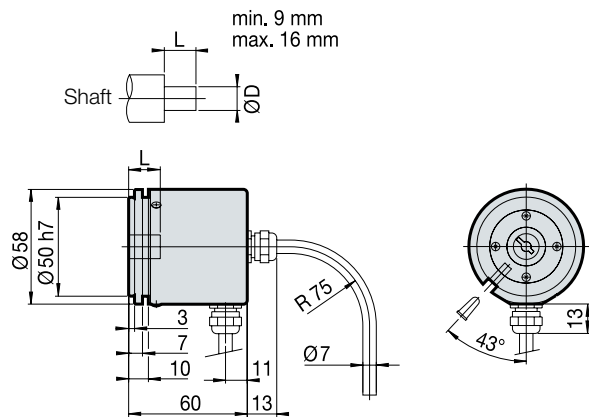
H, HP models



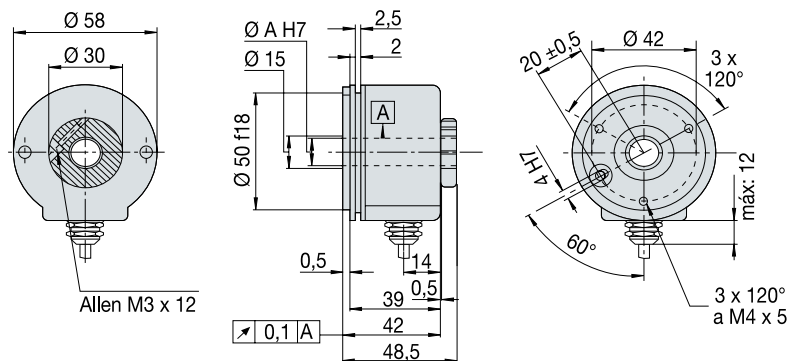
L: Min. 9 mm, max. 16 mm

$\varnothing D$ g7 mm
3
4
6
6.35
7
8
9.53
10

min. 9 mm
max. 16 mm



HA model



Note: more detailed information on the installation in the manual

Order identification - models H, HP, S and SP

Example for a Rotary Encoder: **SP-1024-R-C5-12-IP 66**

S	P	1024	R	C5	12	IP 66
Model: • S: Solid shaft • H: Hollow shaft	Type of signal: • Blank space: square signal (TTL or HTL) • P: 1 Vpp sinusoidal signal	Number of pulses/turn (See table page 42)	Cable exit (not needed for C type of connector, it can be only radial): • R: Radial • Blank space: Axial	Type of connector: • Blank space: 1 m cable without connector • C: Flange socket CONNEI 12 • C5: 1 m cable with CONNEI 12 connector	Voltaje: • Blank space: Standard 5 V supply • 12: Optional 12 V supply (only for HTL signal)	Protection: • Blank space: Standard protection (IP 64) • Protection IP 66 (only S model)

Order identification - HA model

Example for a Rotary Encoder: **HA - 22132 - 250**

HA	2	2	1	3	2	2500
Model: • H: Hollow shaft	Type of clamp: • 1: Rear clamp • 2: Front clamp	Size of the hollow shaft ($\varnothing A$): • 2: 12 mm	Output signals: • 1: A, B, I ₀ plus their inverted	Type of connection: • 3: Radial cable (1 m) with CONNEI 12 connector	Supply voltage: • 2: RS-422 (5 V)	Number of pulses/turn (See table page 42)

direct connection cables

Connection to FAGOR CNC

UP TO 12 METERS

EC...P-D

Lengths: 1, 3, 6, 9 and 12 meters

SUB D 15 HD connector (male Pin )

Pin	Signal	Color
1	A	Green
2	/A	Yellow
3	B	Blue
4	/B	Red
5	I ₀	Grey
6	/I ₀	Pink
9	+5 V	Brown
11	0 V	White
15	Ground	Shield
Housing	Ground	Shield



FROM 12 METERS ON

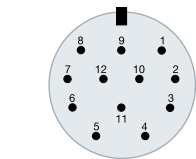
Cable EC...A-C1 + alargadera XC-C2... D

EC...A-C1/EC...A-C5

Lengths: 1 and 3 meters

12 CIRCULAR connector (male Pin )

Pin	Signal	Color
5	A	Green
6	/A	Yellow
8	B	Blue
1	/B	Red
3	I ₀	Grey
4	/I ₀	Pink
7	/Alarm	Purple
12	+5 V	Brown
2	+5 V sensor	
10	0 V	White
11	0 V sensor	
Housing	Ground	Shield



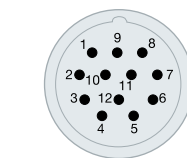
XC-C2...D extension cable

Lengths: 5, 10, 15, 20 and 25 meters

12 CIRCULAR connector (female Pin )

SUB D 15 HD connector (male Pin )

Pin	Pin	Signal	Color
5	1	A	Brown
6	2	/A	Green
8	3	B	Grey
1	4	/B	Pink
3	5	I ₀	Red
4	6	/I ₀	Black
7	8	/Alarm	Purple
12	9	5 V	Brown/ Green
2	9	+5 V sensor	Blue
10	11	0 V	White/ Green
11	11	0 V sensor	White
Housing	Housing	Ground	Shield



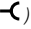
Connection to other CNC's

UP TO 12 METERS

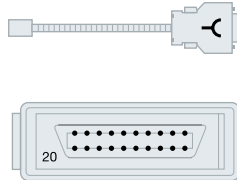
For direct connection to FANUC® (second feedback)

EC-...C-FN1

Lengths: 1, 3, 6, 9 and 12 meters

HONDA / HIROSE connector (female Pin )

Pin	Signal	Color
1	A	Green
2	/A	Yellow
3	B	Blue
4	/B	Red
5	I ₀	Grey
6	/I ₀	Pink
9	+5 V	Brown
18-20	+5 V sensor	
12	0 V	White
14	0 V sensor	
16	Ground	Internal shield
Housing	Ground	External shield



For direct connection to SIEMENS® (Solution Line)

SME20 (1 Vpp only)

EC...A-C5

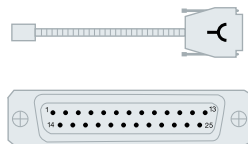
SMC20 (1 Vpp only)

EC...P-S3

Lengths: 1, 3, 6, 9 and 12 meters

SUB D25 connector (female Pin )

Pin	Signal	Color
3	A	Green
4	/A	Yellow
6	B	Blue
7	/B	Red
17	I ₀	Grey
18	/I ₀	Pink
1	+5 V	Brown
14	+5 V sensor	
7	0 V	White
16	0 V sensor	
Housing	Ground	Shield



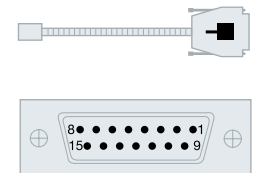
SMC30 (differential TTL only)

EC...P-S2

Lengths: 1, 3, 6, 9 and 12 meters

SUB D 15 connector (male Pin )

Pin	Signal	Color
15	A	Green
14	/A	Yellow
13	B	Blue
12	/B	Red
10	I ₀	Grey
11	/I ₀	Pink
4	+5 V	Brown
5	+5 V	
7	0 V	White
Housing	Ground	Shield



Without a connector at one end; for other applications.

EC...AS-O

Lengths: 1, 3, 6, 9 and 12 meters

Signal	Color
A	Green
/A	Yellow
B	Blue
/B	Red
I ₀	Grey
/I ₀	Pink
+5 V	Brown
+5 V sensor	Purple
0 V	White
0 V sensor	Black
Ground	Shield



direct connection cables

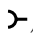

Connection to other CNC's

FROM 12 METERS ON

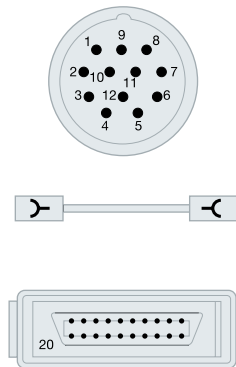
- EC-...A-C1 cable + XC-C2... FN1 extension cable
- EC-...A-C5 cable + XC-C4...C5 extension cable (1 Vpp only)
- EC-...A-C5 cable + XC-C4...S3 extension cable (1 Vpp only)
- EC-...A-C5 cable + XC-C4...S2 extension cable (differential TTL only)

XC-C2... FN1 extension cable

Lengths: 5, 10, 15, 20 and 25 meters

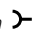

12 CIRCULAR connector (female Pin )
 HONDA / HIROSE connector (female Pin )


 Pin	 Pin	Signal	Color
5	1	A	Brown
6	2	/A	Green
8	3	B	Grey
1	4	/B	Pink
3	5	I ₀	Red
4	6	/I ₀	Black
12	9	+5 V	Brown/ Green
2	18-20	+5 V sensor	Blue
10	12	GND	White/ Green
11	14	GND sensor	White
Housing	16	Ground	Shield

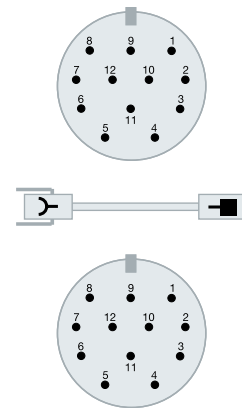


XC-C4-... C5 extension cable

Lengths: 5, 10, 15, 20 and 25 meters

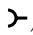

12 CIRCULAR connector (female Pin )
 12 CIRCULAR connector (male Pin )

 Pin	 Pin	Signal	Color
5	5	A	Brown
6	6	/A	Green
8	8	B	Grey
1	1	/B	Pink
3	3	I ₀	Red
4	4	/I ₀	Black
12	12	+5 V	Brown/ Green
2	2	+5 V sensor	Blue
10	10	0 V	White/ Green
11	11	0 V sensor	White
7	7	/Alarm	Purple
Housing	Housing	Ground	Shield

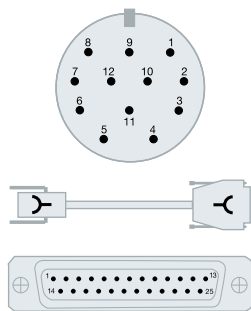


XC-C4-... S3 extension cable

Lengths: 5, 10, 15, 20 and 25 meters

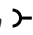

12 CIRCULAR connector (female Pin )
 SUB D25 connector (female Pin )



 Pin	 Pin	Signal	Color
5	3	A	Brown
6	4	/A	Green
8	6	B	Grey
1	7	/B	Pink
3	17	I ₀	Red
4	18	/I ₀	Black
12	1	+5 V	Brown/ Green
2	14	+5 V sensor	Blue
10	2	0 V	White/ Green
11	16	0 V sensor	White
Housing	Housing	Ground	Shield

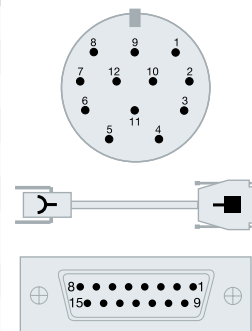


XC-C4-... S2 extension cable

Lengths: 5, 10, 15, 20 and 25 meters

12 CIRCULAR connector (female Pin )
 SUB D15 connector (male Pin )

 Pin	 Pin	Signal	Color
5	15	A	Brown
6	14	/A	Green
8	13	B	Grey
1	12	/B	Pink
3	10	I ₀	Red
4	11	/I ₀	Black
12	4	+5 V	Brown/ Green
2	5	+5 V	
2	6	+5 V sensor	Blue
10	7	0 V	White/ Green
11	9	0 V sensor	White
Housing	Housing	Ground	Shield





ANGULAR ENCODERS

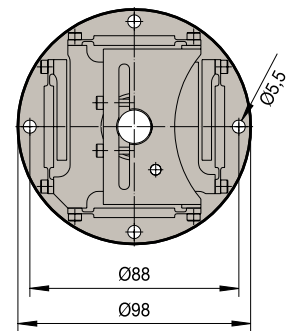
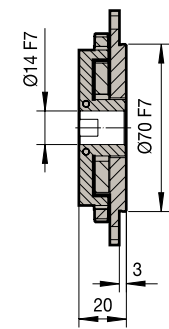
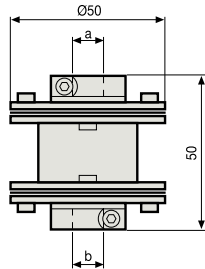
accessories

Couplings for solid-shaft encoders

In order to ensure the accuracy of the solid-shaft angular encoder, it is a must to use couplings that provide them with long lasting stability. Fagor Automation recommends using our AA and AP couplings that have been designed for our encoders and provide a guarantee that other couplings cannot.

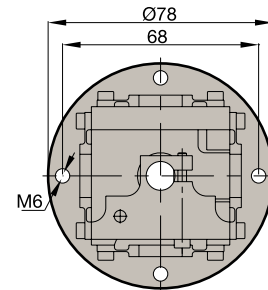
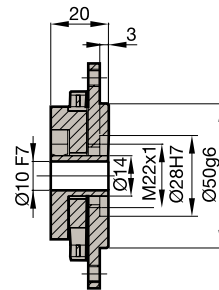
AA Model

The AA model comes in three versions depending on the diameter of the coupling as shown in the table below:

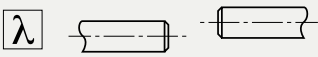

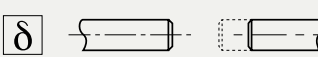


AP 14 model

Model	a mm	b mm
AA 10/10	10	10
AA 10/14	10	14
AA 14/14	14	14



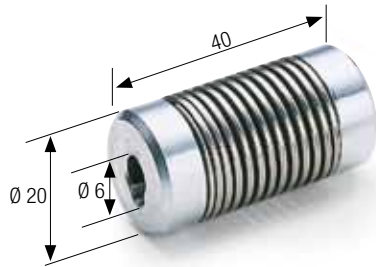
AP 10 model

Specific characteristics	AA 10/10 AA 10/14 AA 14/14	AP 10	AP 14
Maximum radial misalignment permitted 	0.3 mm	0.3 mm	0.3 mm
Maximum angular misalignment permitted 	0.5°	0.5°	0.2°
Maximum axial misalignment permitted 	0.2 mm	0.2 mm	0.1 mm
Kinematic transfer error	± 2" if $\lambda \leq 0.1$ mm and $\alpha \leq 0.09^\circ$	± 3" if $\lambda \leq 0.1$ mm and $\alpha \leq 0.09^\circ$	± 2" if $\lambda \leq 0.1$ mm and $\alpha \leq 0.09^\circ$
Maximum torque that may be transmitted	0.2 Nm	0.5 Nm	0.5 Nm
Torsion rigidity	1 500 Nm/rad.	1 400 Nm/rad.	6 000 Nm/rad.
Maximum rotating speed	10 000 rpm	1 000 rpm	1 000 rpm
Weight	93 gr	128 gr	222 gr
Inertia	20×10^{-6} kg/m ²	100×10^{-6} kg/m ²	200×10^{-6} kg/m ²

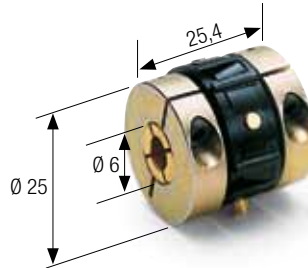
ROTARY ENCODERS

accessories

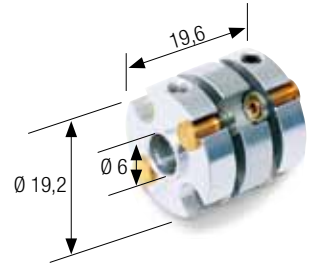
Coupling caps (solid shaft)



AF model

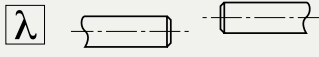

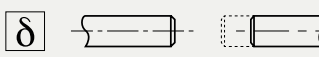


AC model



AL model

Specific characteristics

	AF	AC	AL
Maximum radial misalignment permitted 	2 mm	1 mm	0.2 mm
Maximum angular misalignment permitted 	8°	5°	4°
Maximum axial misalignment permitted 	± 1.5 mm	—	± 0.2 mm
Maximum torque that may be transmitted	2 Nm	1.7 Nm	0.9 Nm
Torsion rigidity	1.7 Nm/rad.	50 Nm/rad.	150 Nm/rad.
Maximum rotating speed	12 000 rpm		

AH coupling caps

Rotary encoders: coupling caps (hollow shaft)

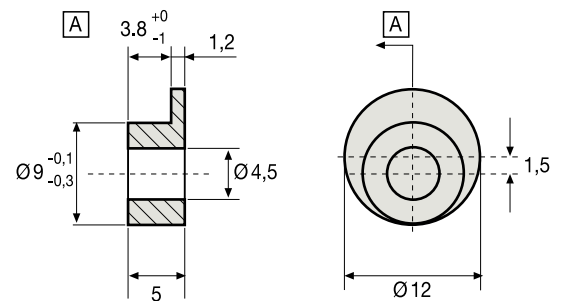
The hollow shaft encoders are accompanied by a standard 6 mm cap diameter (Ø 6).

Can also be supplied in the following diameters: Ø 3, Ø 4, Ø 6, Ø 7, Ø 8 and Ø 10 mm, 1/4" and 3/8".



AD-M washer

Washer for mounting rotary encoder models H, HP, S, SP.



LINEAR AND ANGULAR ENCODERS

accessories

Protection

Enclosed **linear encoders** meet the protection requirements IP 53 of the **IEC 60 529** standard when mounted so water splashes don't hit the sealing lips directly. For further protection, a separate protection guard must be mounted.

• AI-400 filter

The air coming from an compressed air supply must be treated and filtered in the AI-400 unit which consists of:

- Filtering and pressure regulating group.
- Fast inlets and joints for 4 measuring systems.
- A plastic tube 25 m long with an inside diameter of 4 mm and outside diameter of 6 mm.

• AI-500 filter

Under extreme conditions where the air must be dried, Fagor Automation recommends using their air filter AI-500. This includes a drying module that makes it possible to reach the conditions required by Fagor Automation feedback systems.

If the encoder is exposed to concentrated liquids and vapor, compressed air may be used to achieve a protection degree of IP 64 and prevent any contamination from getting inside. For these cases, Fagor Automation recommends their Air filter units AI-400 and AI-500.



AI-500 filter MODELS

For 2 axes:	AI-525
For 4 axes:	AI-550
For 6 axes:	AI-590

Technical Characteristics	Filters AI-400 / AI-500	
	Standard	Special
Maximum input pressure	10.5 bar	14 bar
Maximum operating temperature	52 °C	80 °C
Output pressure of the unit	1 bar	
Consumption per measuring system	10 l/min.	
Safety	Micro-filter saturation alarm	

Air conditions (Meets the standard DIN ISO 8573-1)

Fagor Automation linear feedback systems require the following air conditions:

- Class 1 - Maximum particle 0.12 μ
- Class 4 (7 bars) - Dew point 3 °C
- Class 1 - Maximum oil concentration: 0.01 mg/m³.

Safety switch

It consists of a pressostat capable of activating an alarm switch when the pressure gets below 0.66 bar.

Technical data:

The switching pressure may be adjusted between 0.3 and 1.5 bar.

- Load: 4 A.
- Voltage: 250 V approx.
- Protection: IP65.



FeeDat® is a registered trademark of Fagor Automation,
DRIVE-CLIQ® is a registered trademark of SIEMENS® Aktiengesellschaft,
SIEMENS® is a registered trademark of SIEMENS® Aktiengesellschaft,
FANUC® is a registered trademark of FANUC® Ltd.,
MITSUBISHI® is a registered trademark of MITSUBISHI® Shoji Kaisha, Ltd.,
PANASONIC® is a registered trademark of PANASONIC® Corporation,
BiSS® is a registered trademark of IC-Hauss GmbH, and
VITON® is a registered trademark of E. I. du Pont de Nemours and Company.



FAGOR AUTOMATION

Fagor Automation, S. Coop.

B° San Andrés, 19
E-20500 Arrasate - Mondragón
SPAIN
Tel.: +34 943 039 800
Fax: +34 943 791 712
E-mail: info@fagorautomation.es



Fagor Automation holds the ISO 9001 Quality System Certificate and the CE Certificate for all products manufactured.

www.fagorautomation.com



worldwide automation