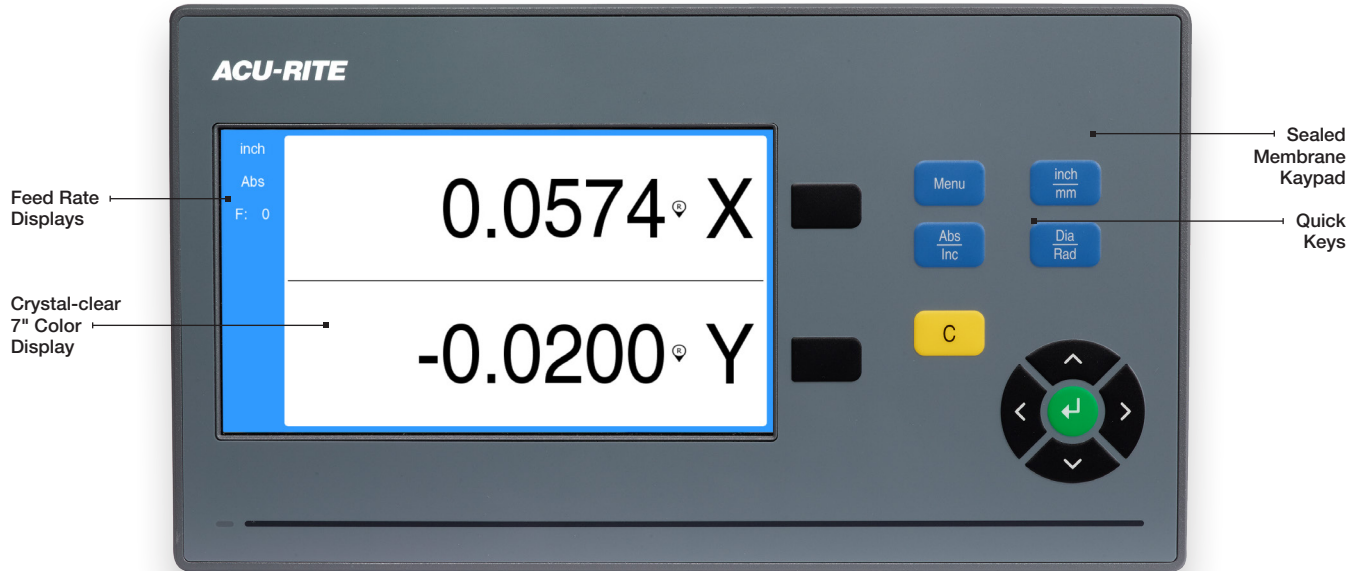
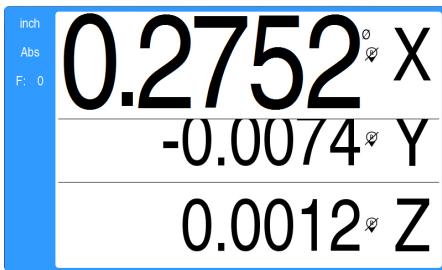
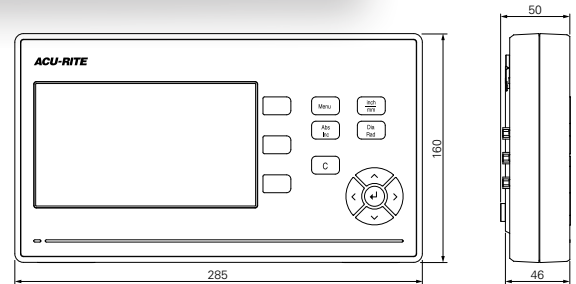


**ACU-RITE®**

# DRO100 LCD Digital Readout Systems

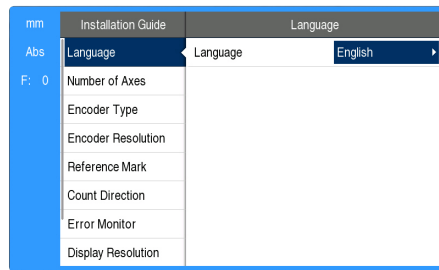


The most cost-effective, entry-level digital readout system that incorporates 7-inch color display technology, the DRO100 offers basic features. Designed and manufactured in the USA, ACU-RITE readouts are the first choice of machine tool builders and users alike.



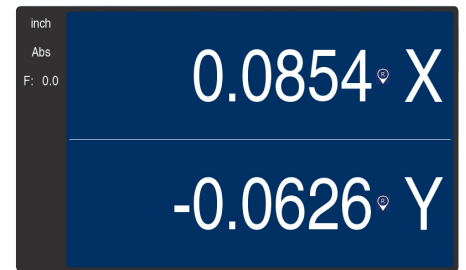
### Dynamic zoom

The currently moving axis can be geographically highlighted. In "dynamic zoom" mode, the position value is zoomed to its maximum size depending on the number of digits. This greatly improves legibility—especially from a great distance.



### Installation guide

When you switch on the digital readout for the first time, the DRO100 supports you with an installation guide. You are led step by step through the most important settings until the device is ready for operation.



### Day/night switching

Depending on the ambient-light conditions at the machine, you can switch the screen of the DRO100 to a light or dark background.

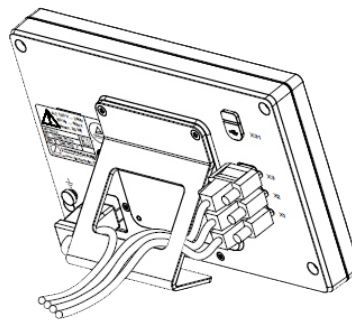
**ACU-RITE's NEW complete line of performance-driven DROs for all of your manual machine applications**



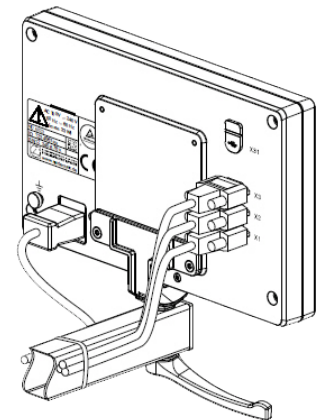
DRO100 Technical Data	
<b>Display</b>	<ul style="list-style-type: none"> <li>• 1 Axis (DRO101), 2 Axes (DRO102) or 3 Axes (DRO103)</li> <li>• 7-inch color wide screen (15:9)</li> <li>• Resolution 800 x 480 pixels for Position Values, Dialog Messages, Input and Graphic Functions</li> </ul>
<b>Common Functions</b>	<ul style="list-style-type: none"> <li>• Feed Rate Display</li> <li>• Multiple Language Support</li> <li>• Absolute/Incremental</li> <li>• Help Function</li> <li>• Zero Reset</li> <li>• Instant Inch/mm Conversion</li> <li>• Instant Radius/Diameter Conversion</li> <li>• Axis error: Linear 1 segment</li> <li>• Position-Trac™ Home Reference System</li> </ul>
<b>Options</b>	Single-Position Tilting Base, Multiposition Holder, Protective Cover
<b>Construction</b>	Die-Cast Metal
<b>Weight</b>	1.5 kg
<b>Data Interface</b>	USB 2.0 type C <ul style="list-style-type: none"> <li>• For Output of Parameters to a USB Stick or PC</li> <li>• For Input of Parameters, Remote Control of Keys and Commands</li> </ul>
<b>Electrical Requirements</b>	AC 100 V to 240 V ( $\pm 10\%$ ), 50 Hz to 60 Hz ( $\pm 5\%$ ), $\leq 33$ W
<b>Operating Temperature</b>	0° to 45° C (32° to 113° F)
<b>Storage Temperature</b>	-20° to 70° C (-22° to 158° F)
<b>Protection EN60529</b>	IP 40, Front Panel IP 54

## Mounting

The DRO100 can be flexibly positioned with the single-position tilting base. The multiposition holder is suitable for mounting on the machine.



**Single-Position  
Tilting Base**



**Multiposition Holder**

**With more than one million in use today**, ACU-RITE® Precision Glass Scales withstand the elements of even the harshest machine shop environments. Built to resist changes in size, shape, or density due to temperature and humidity variations, this stability provides exceptional accuracy, resulting in tighter workpiece tolerances.

ACU-RITE® scales are available in travel lengths from 1" - 120" and in resolutions from 0.5µm (.00002") to 5µm (.0002").



# ACU-RITE®

**HEIDENHAIN CORPORATION**

333 East State Parkway  
Schaumburg, IL 60173-5337 USA

☎ (847) 490-1191

☎ (847) 490-3931

✉ info@heidenhain.com

www.acu-rite.com

**Certifications**  
ISO-9001, UL, CSA, CE