



FLEXfilm[®] MOBILE PEEL BOARD

AUTOMOTIVE | COMMERCIAL | RESIDENTIAL





Adding lighting options is recommended. LED strips, halogen bulbs, fluorescent lights are all great ideas to incorporate into your mobile peel board.

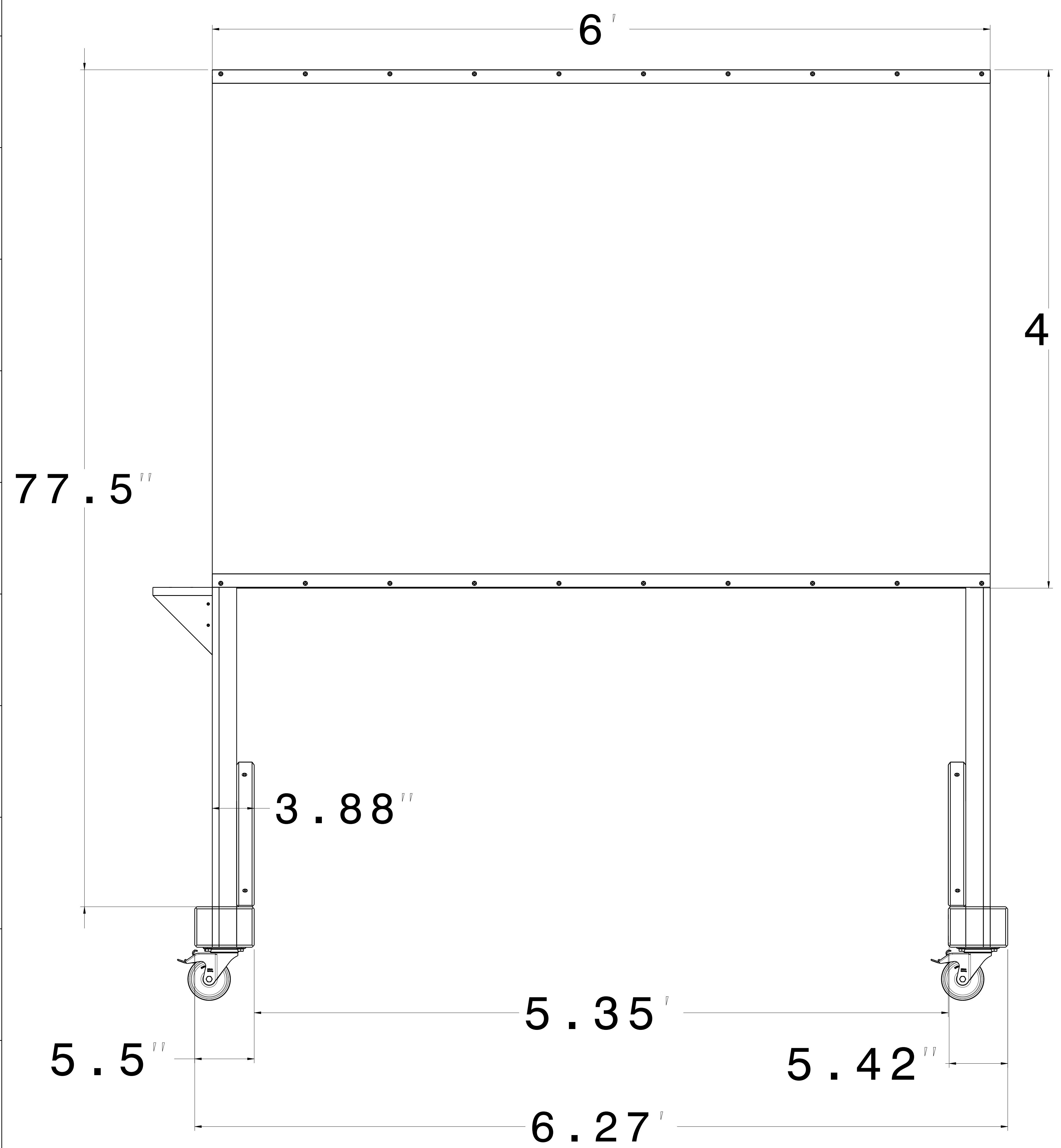
Either plate or tempered glass is recommended. We do not recommend plexiglass.

DESIGNED BY Ivan Hribnik		I	-
DATE 8.5.2021		H	-
DRAWN BY RALPH VAN PELT		G	-
DATE 8.9.2021		F	-
SIZE User		E	-
SCALE XXX		D	-
		C	-
		B	-
		A	-

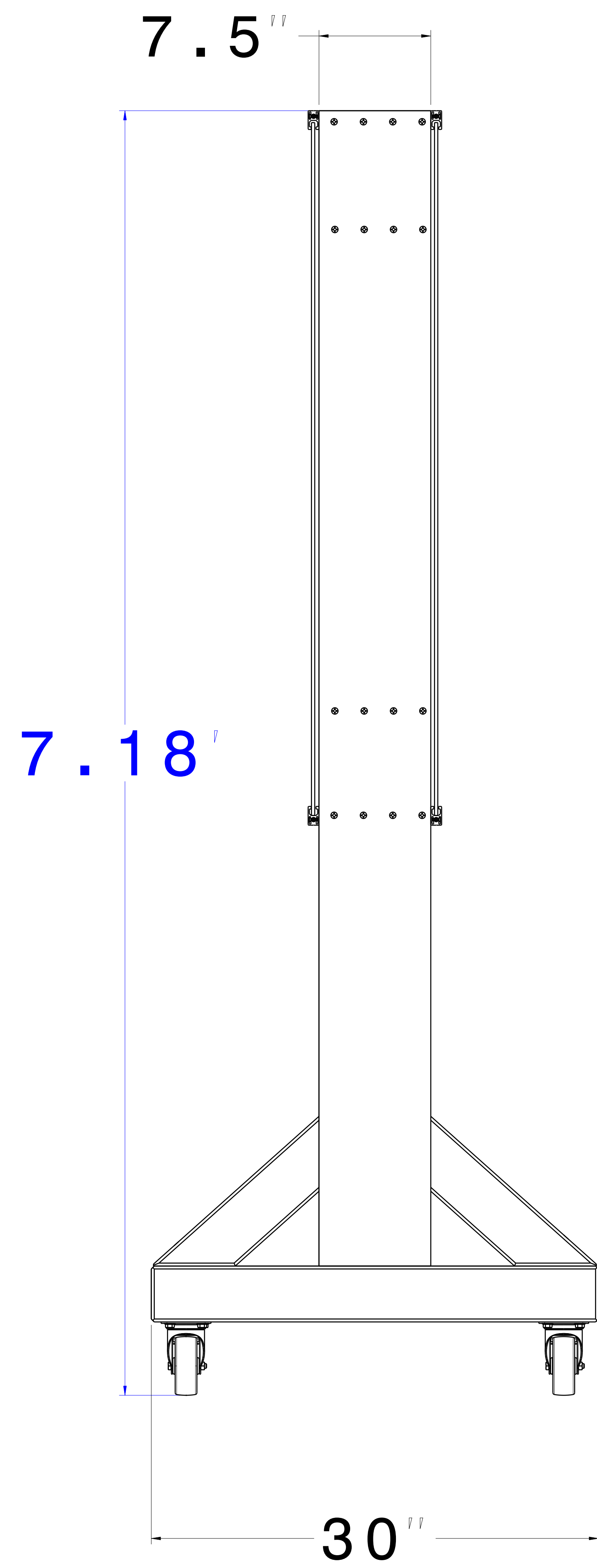
PROJECT NUMBER 2185-1	SHEET 2
--------------------------	------------

This drawing is our property. It can't be reproduced or communicated without our written agreement.

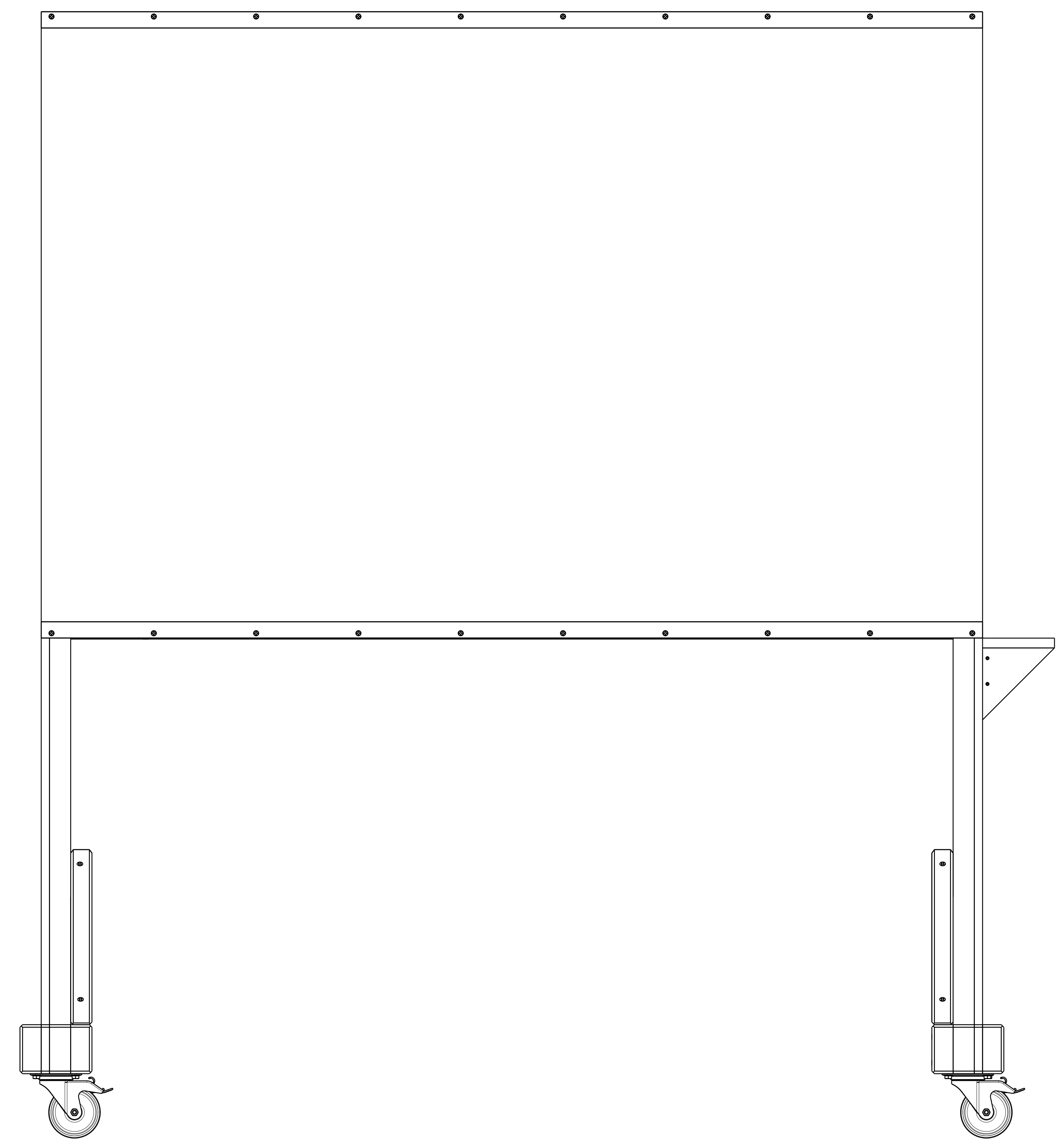




Front view
Scale: 1:5



Right view
Scale: 1:5



Rear view
Scale: 1:5

DESIGNED BY Ivan Hribernik		I	-
DATE 8.5.2021		H	-
DRAWN BY RALPH VAN PELT		G	-
DATE 8.9.2021		F	-
TITLE User		E	-
SCALE 1:5		D	-
DRAWING NUMBER 2185-2		C	-
		B	-
		A	-

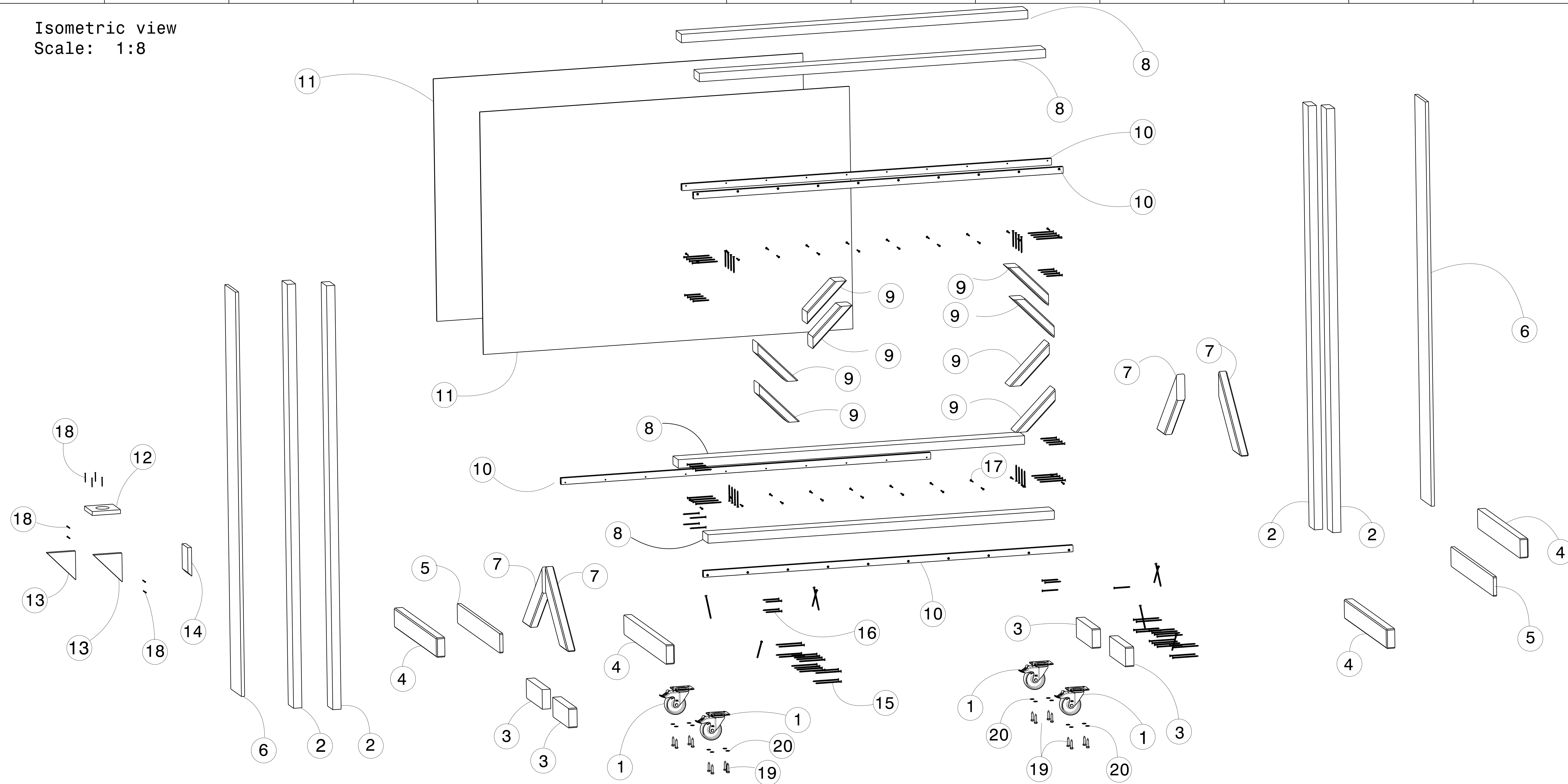
5. A_Mobile Peel Board

3


FLEXfilm
AUTOMOTIVE | COMMERCIAL | RESIDENTIAL

This drawing is our property. It can't be reproduced or communicated without our written agreement.

Isometric view
Scale: 1:8

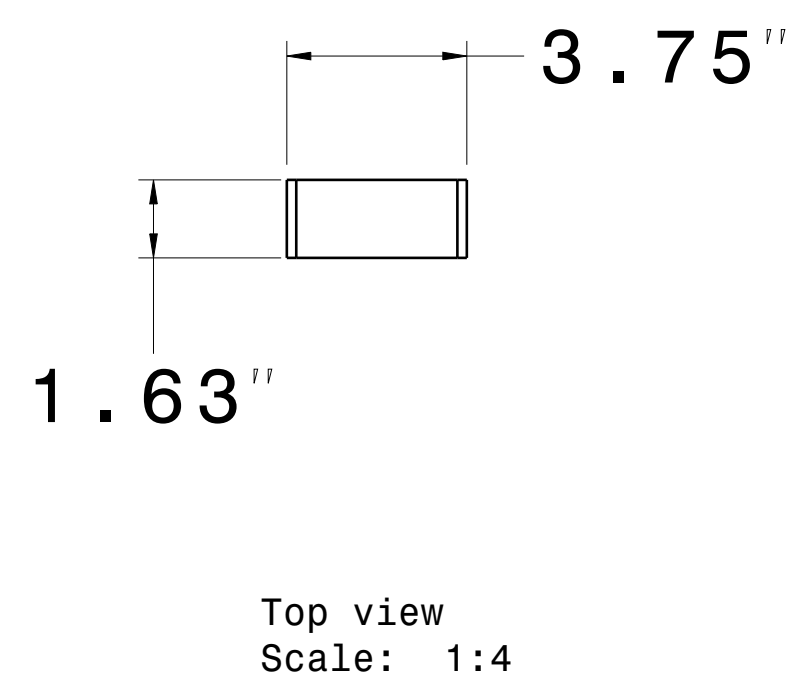
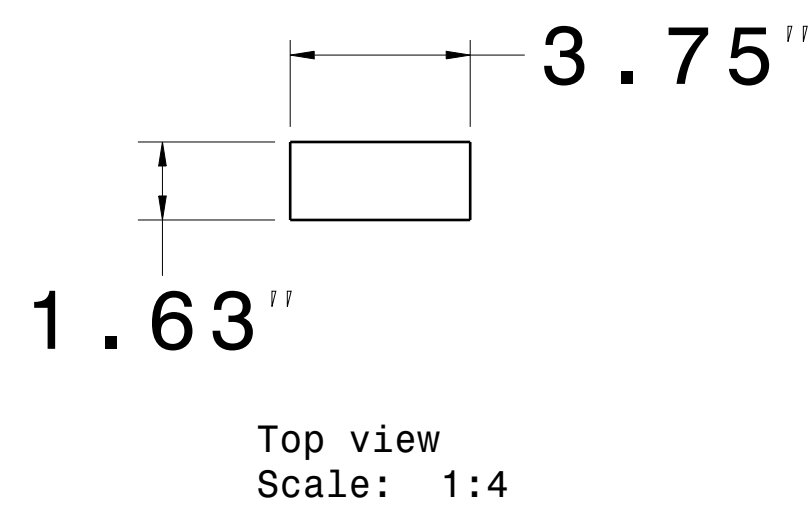
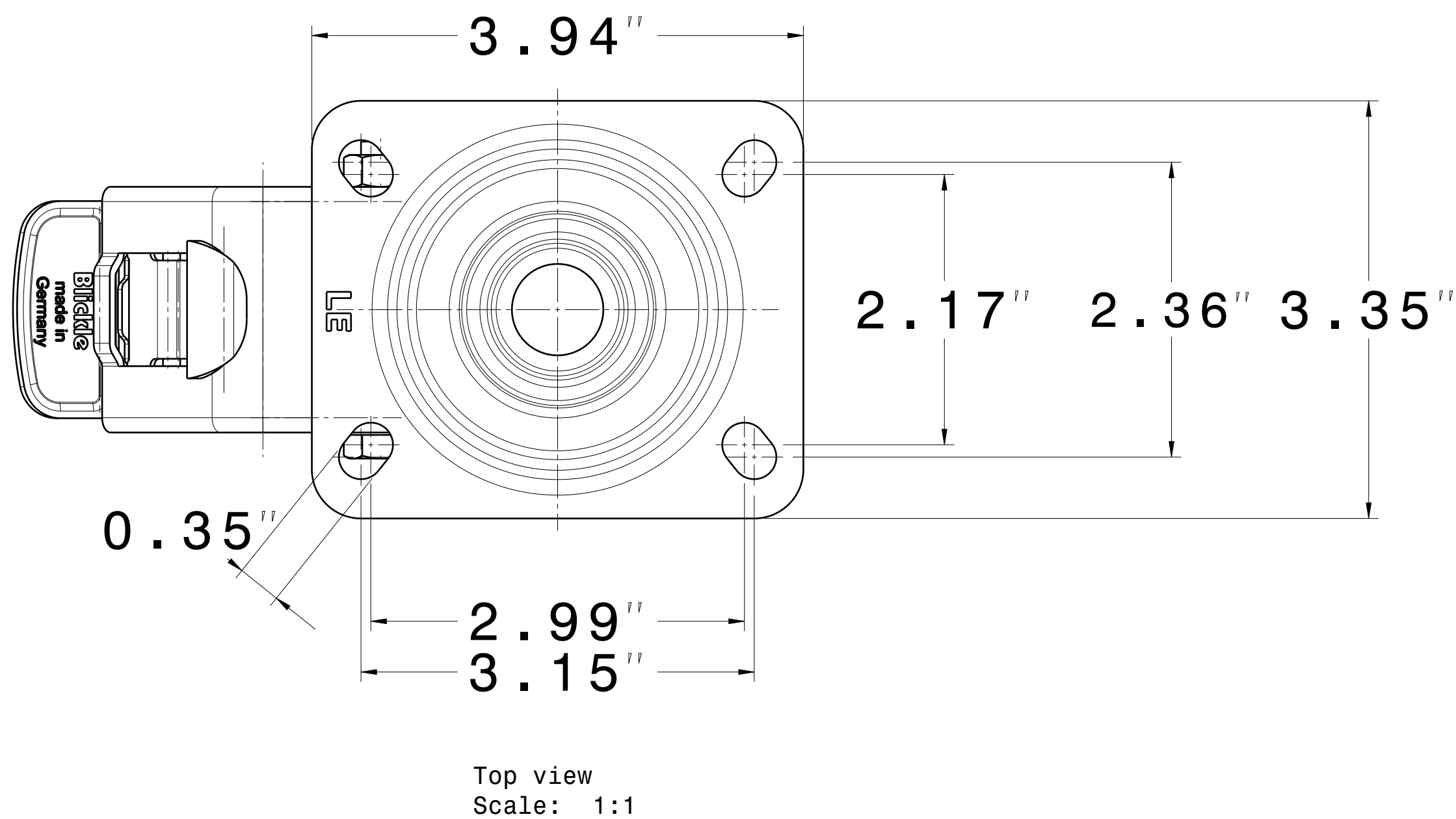


20	16	WASHER ANSI_B18.22M	STEEL	1/4"
19	16	WOOD SCREW	STEEL	1/4"X1 1/2"
18	8	WOOD SCREW	STEEL	#8X1,5"
17	39	WOOD SCREW	STEEL	#8X2"
16	43	WOOD SCREW	STEEL	#9X3"
15	55	WOOD SCREW	STEEL	#10X5"
14	1	HOLDER PART 3	WOOD	5,5"X4"X0,75"
13	2	HOLDER -PART 2	WOOD	5,5"X5,5"X7,78"X0,75"
12	1	HOLDER -PART 1	WOOD	5,5"X5,5"X0,75"
11	2	GLASS	GLASS	46,48"X72"X0,22"
10	4	AL PROFIL	ALUMINIUM	0,73"X1,26"X72"
9	8	PROFILE	WOOD	1,63"X3,75"X11"
8	4	PROFILE	WOOD	1,63"X3,75"X67,49"
7	4	PROFILE	WOOD	1,63"X3,75"X20"
6	2	PROFILE	WOOD	0,38"X7,5"X77,5"
5	2	PROFILE	WOOD	0,38"X3,75"X30"
4	4	PROFILE	WOOD	1,63"X3,75"X30"
3	4	PROFILE	WOOD	1,63"X3,75"X11,25"
2	4	PROFILE	WOOD	1,63"X3,75"X81,25"
1	4	WHEEL ROTARY LE-PO 100G FI	Fe/Pa	Ø3,94"
POSITION	QUANTITY	DESCRIPTION	MATERIAL	DIMENSION

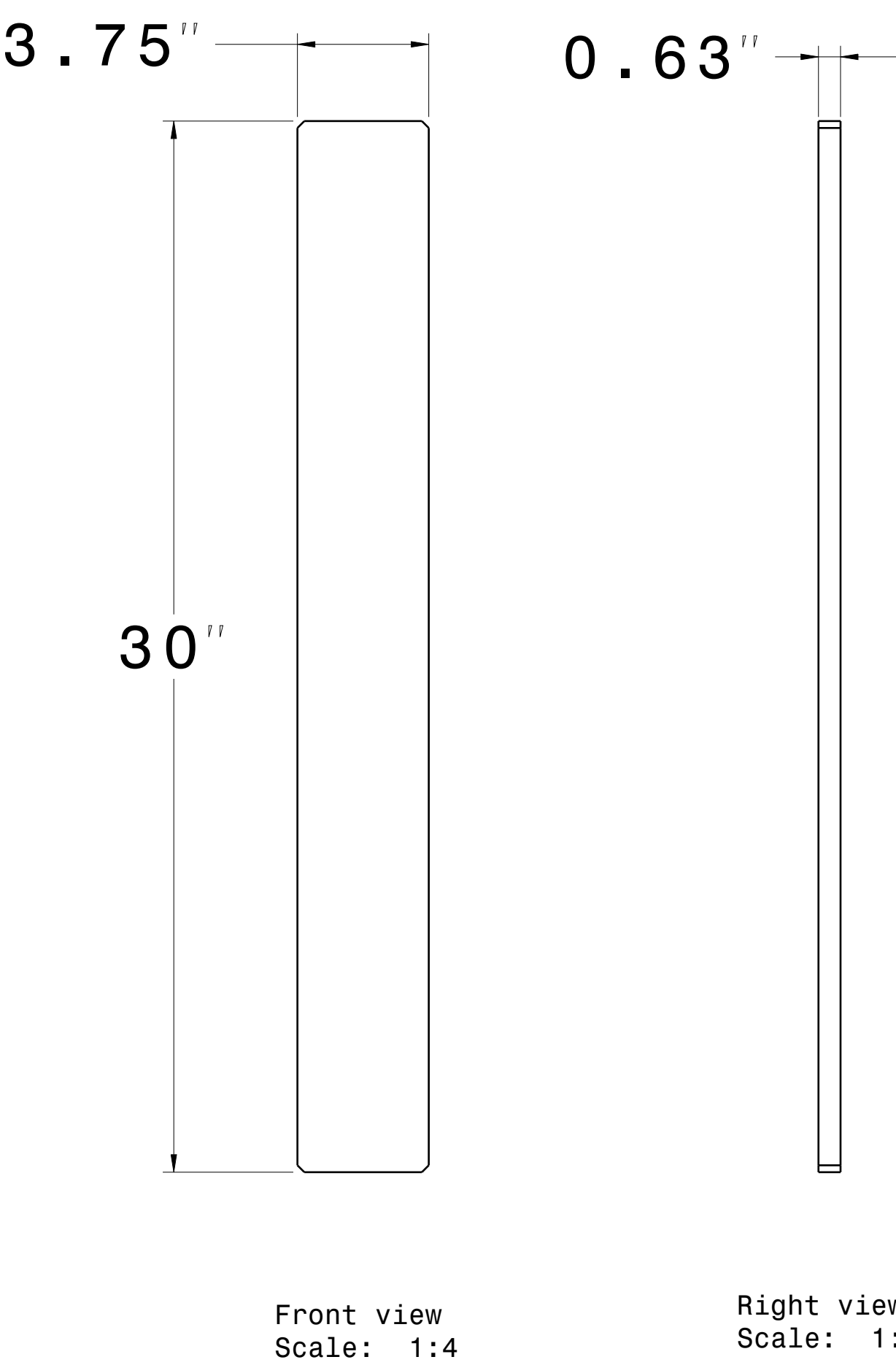
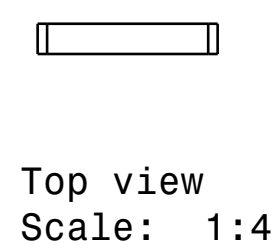
DESIGNED BY Ivan Hribernik	 FLEXfilm <small>AUTOMOTIVE COMMERCIAL RESIDENTIAL</small>	I	-
DATE 8.5.2021		H	-
DESIGNED BY RALPH VAN PELT		G	-
DATE 8.9.2021		F	-
USER User	5. A_Mobile Peel Board	E	-
SCALE 1:8		D	-
DRAWING NUMBER 2185-3		C	-
SHEET 4		B	-
THIS DRAWING IS OUR PROPERTY. IT CAN'T BE REPRODUCED OR COMMUNICATED WITHOUT OUR WRITTEN AGREEMENT.		A	-

POSITION 2 POSITION 3

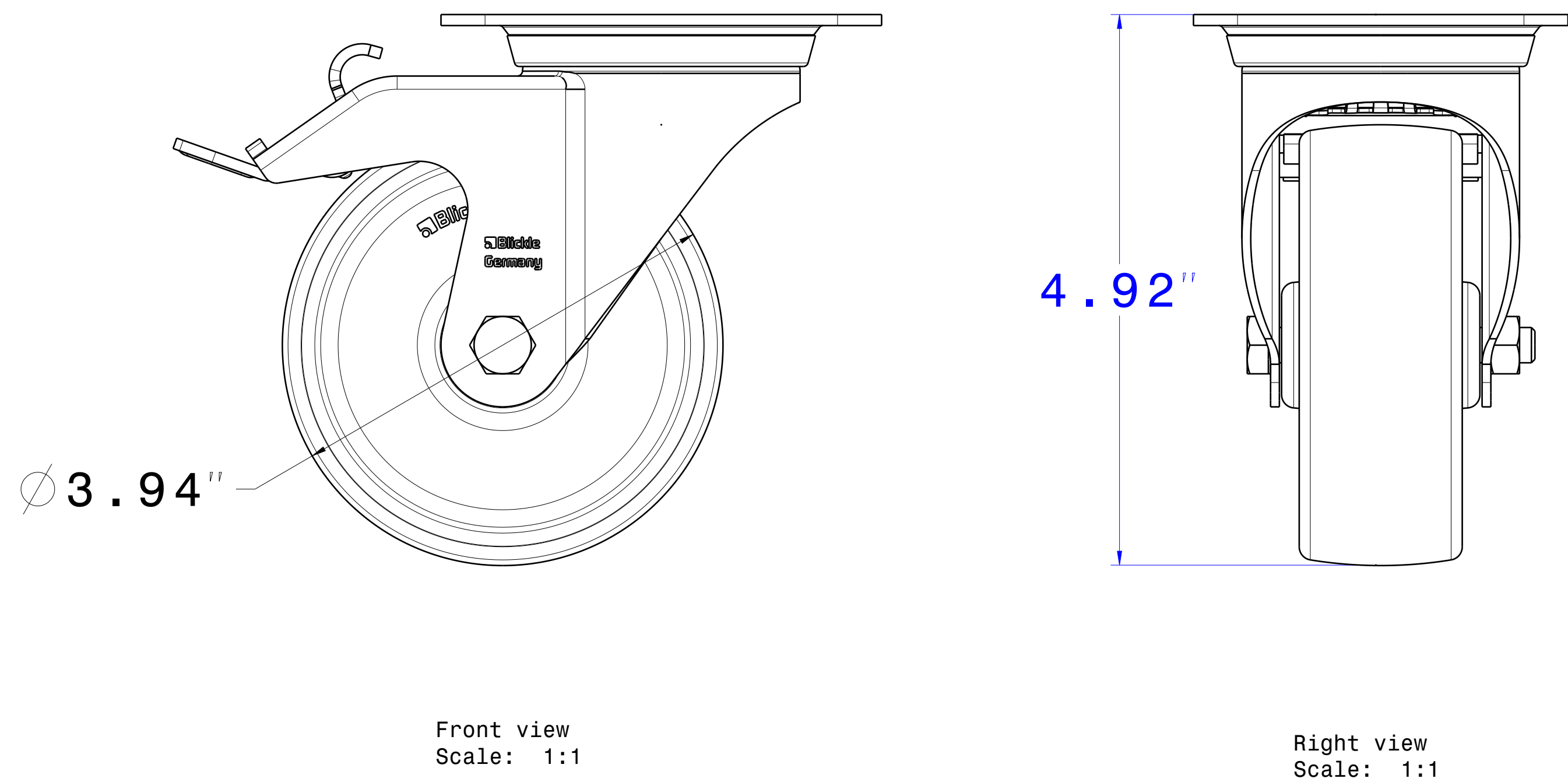
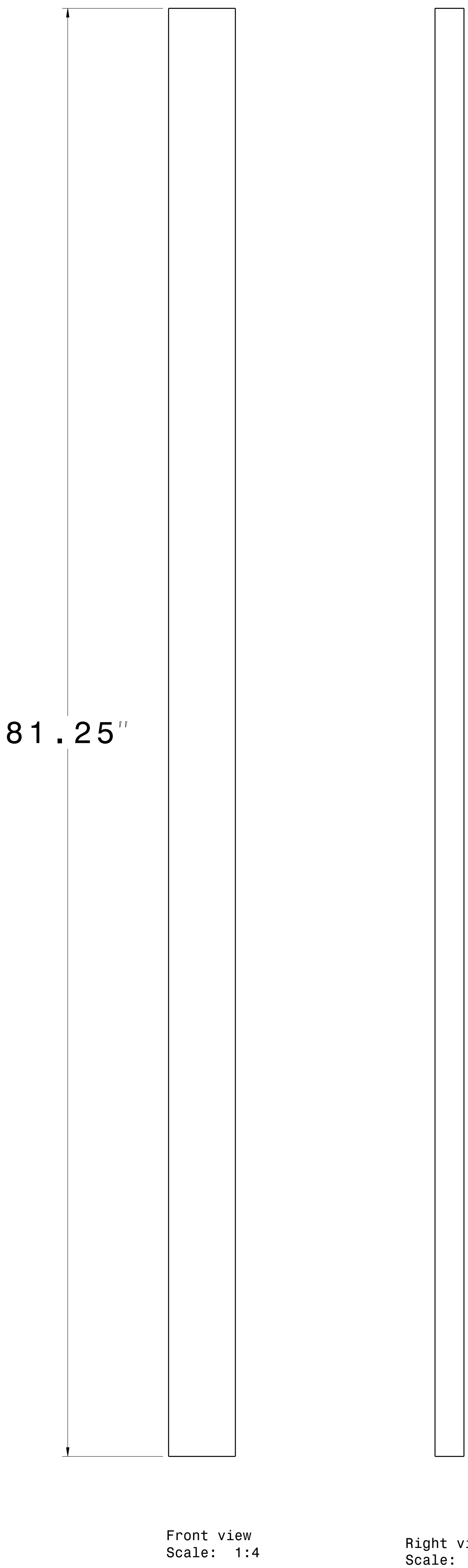
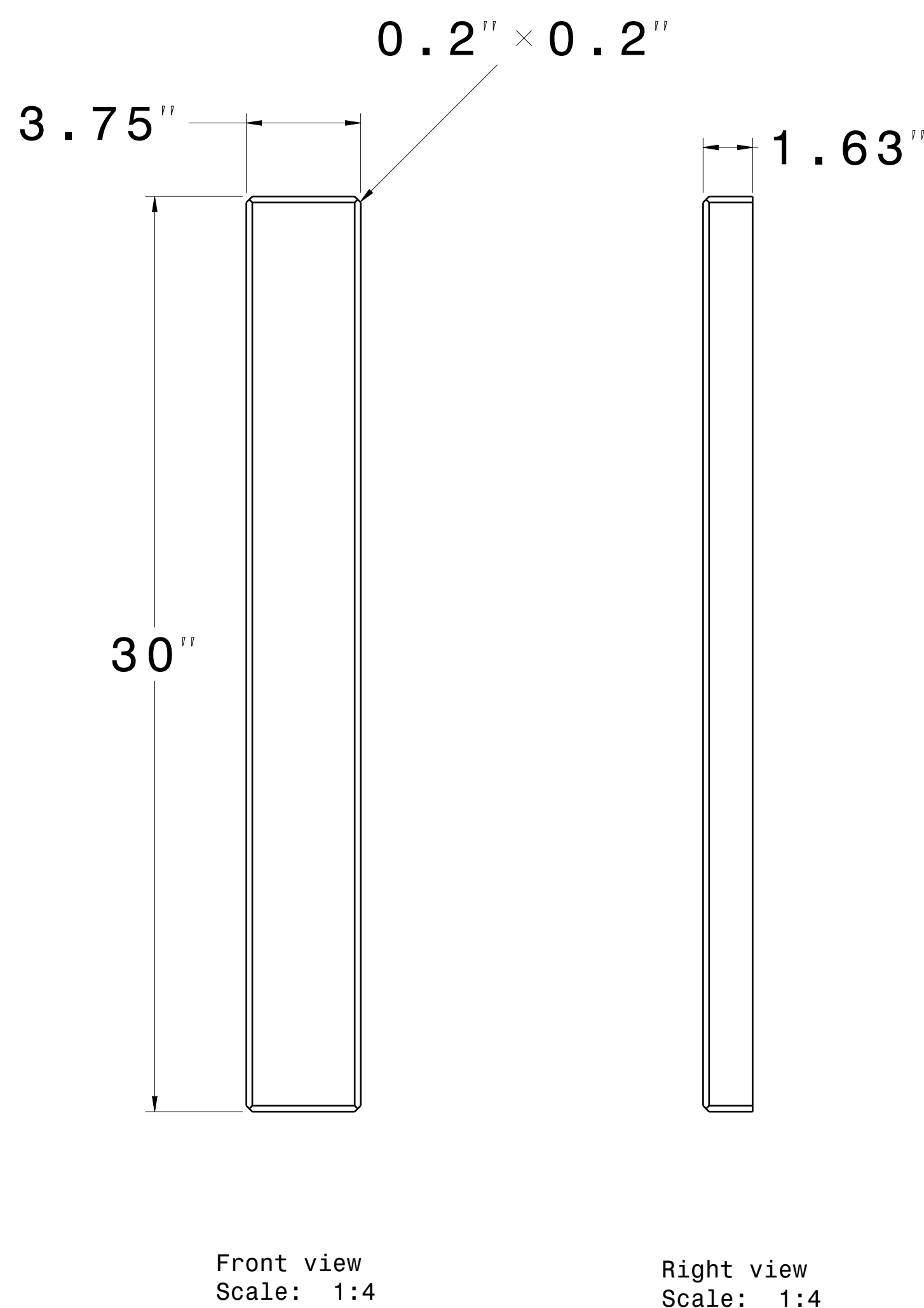
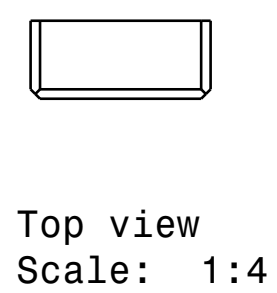
POSITION 1



POSITION 5



POSITION 4



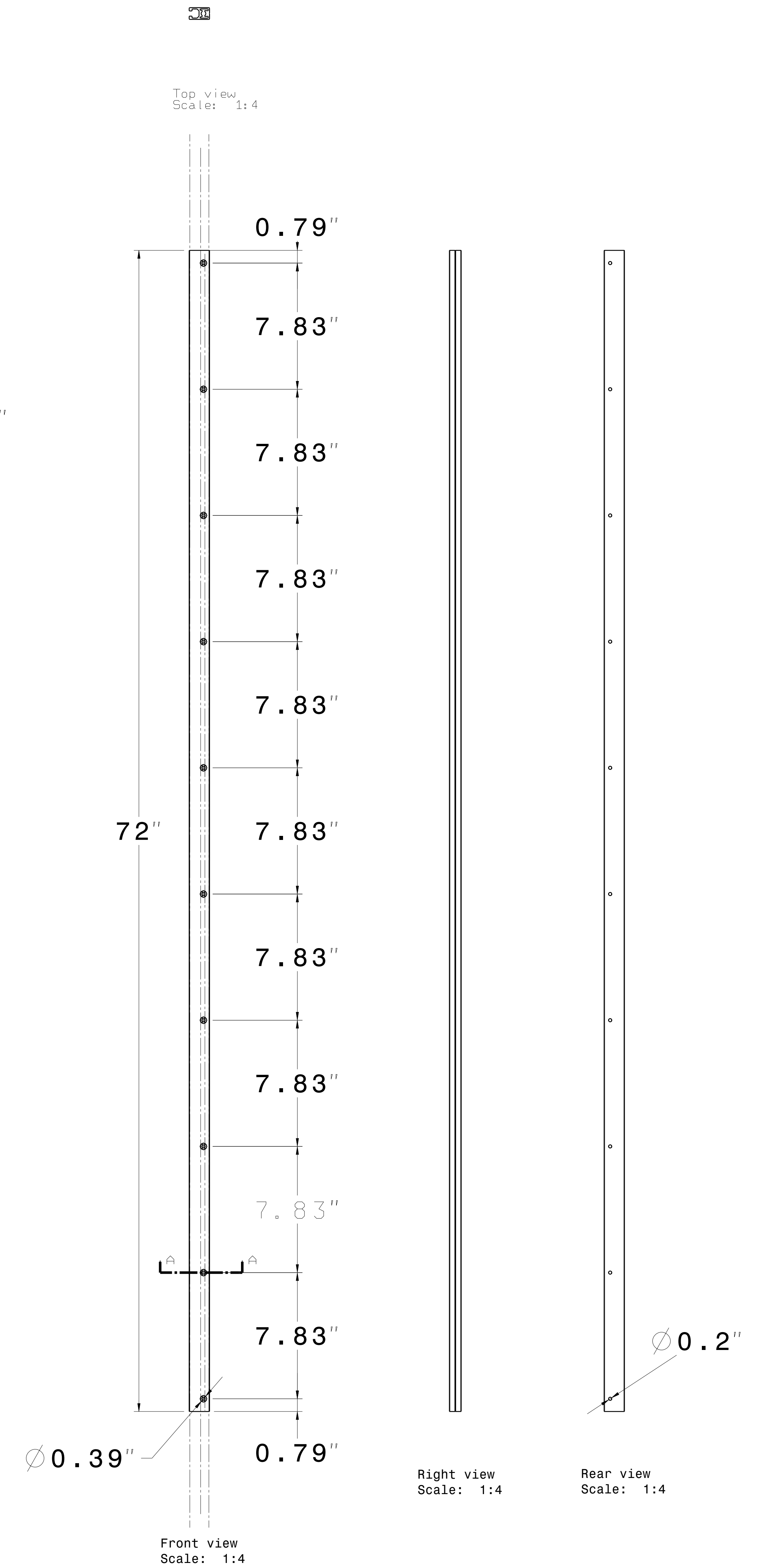
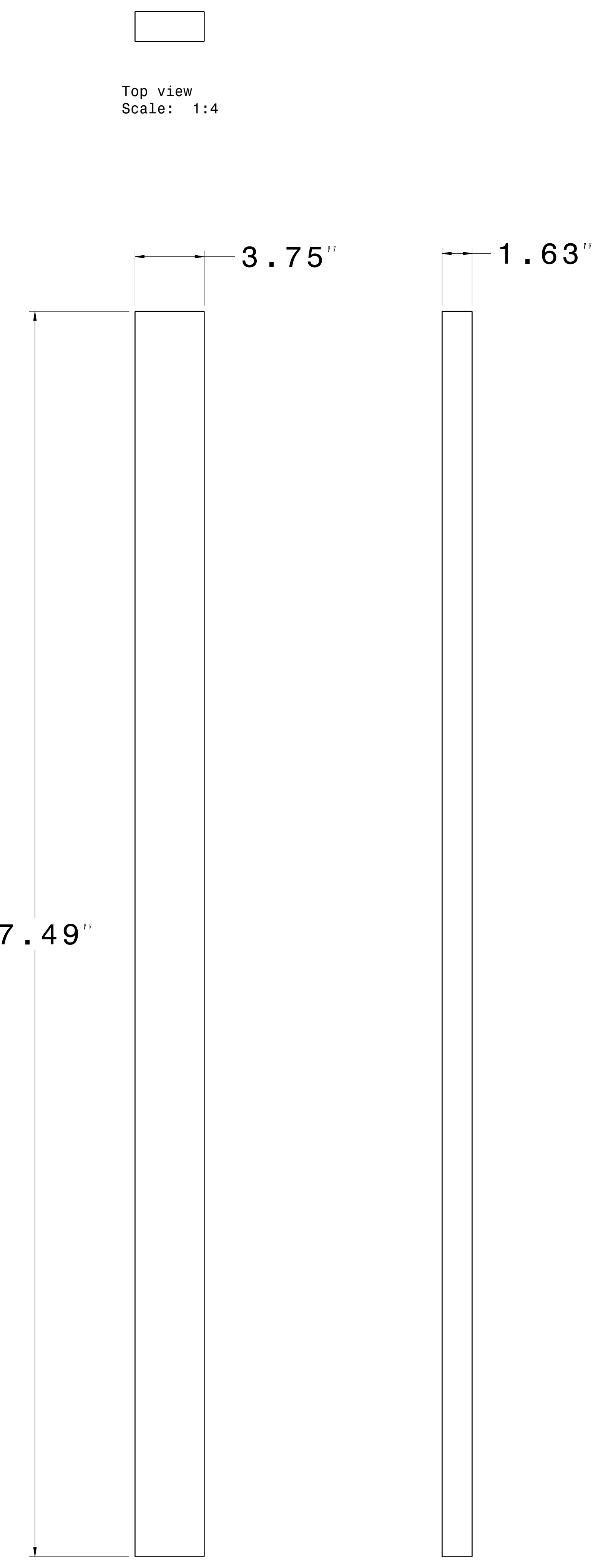
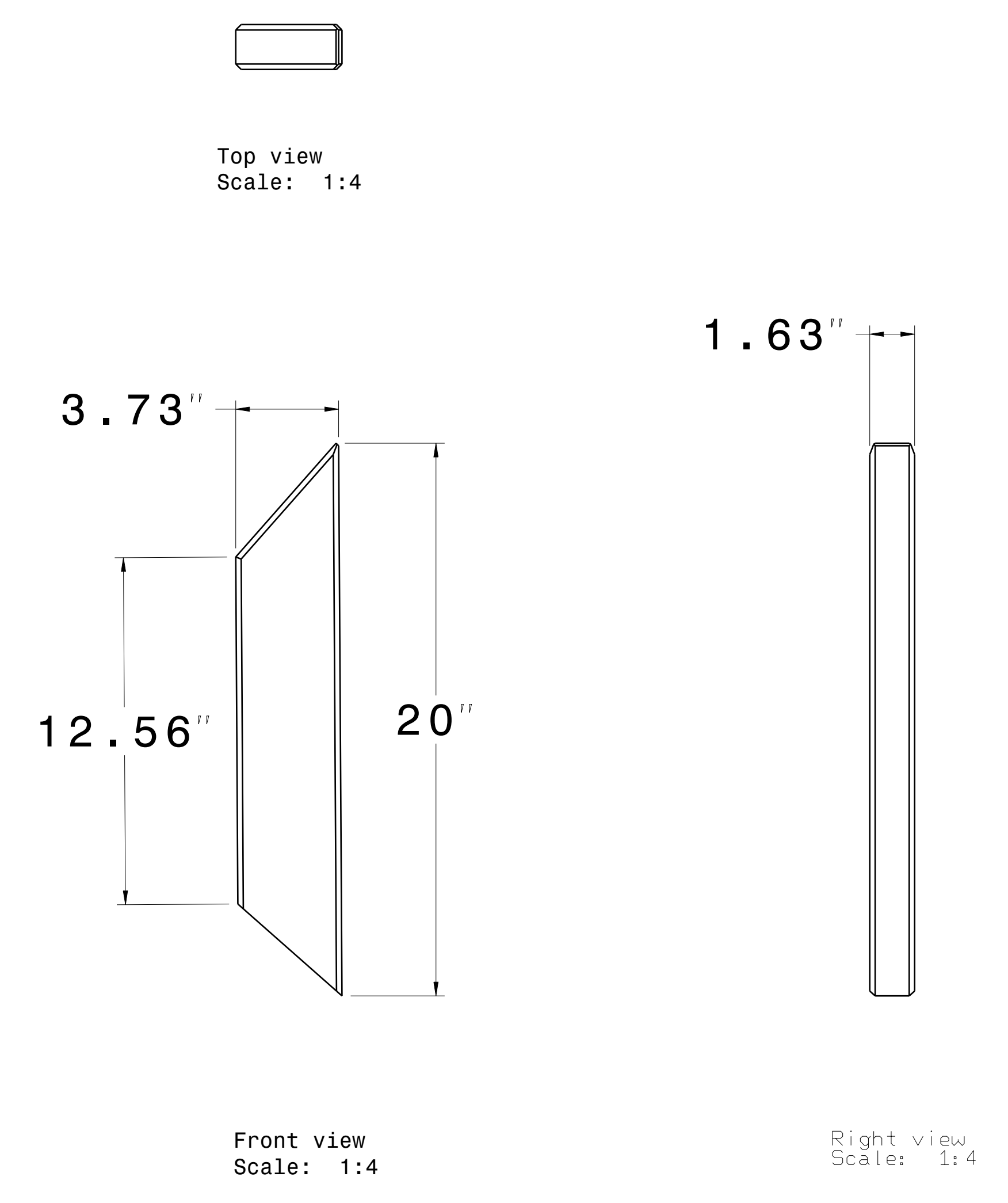
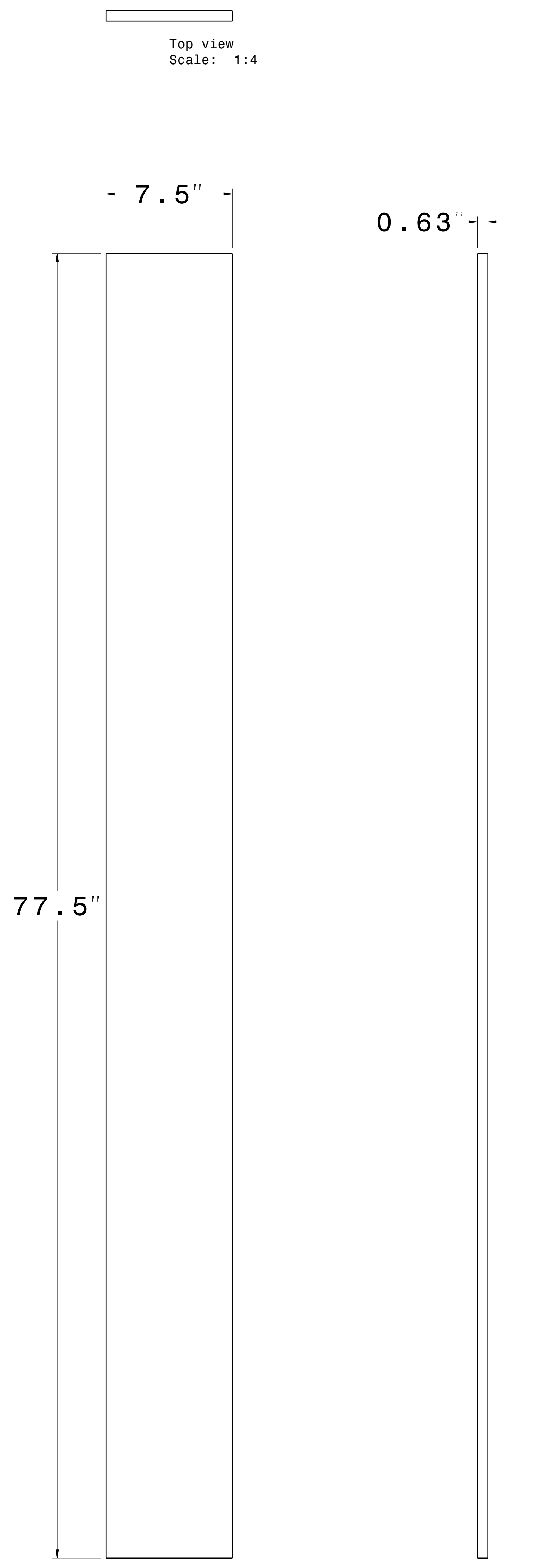
DESIGNED BY: Ivan Hribnik	DATE: 8.5.2021	 AUTOMOTIVE COMMERCIAL RESIDENTIAL	I	-
DRAWN BY: RALPH VAN PELT	DATE: 8.9.2021		H	-
USER: User	PROJECT (NO):		G	-
SCALE: 1:1 (1:4)	DRAWING NUMBER: 2185-4		F	-
			E	-
			D	-
			C	-
			B	-
			A	-

POSITION 6

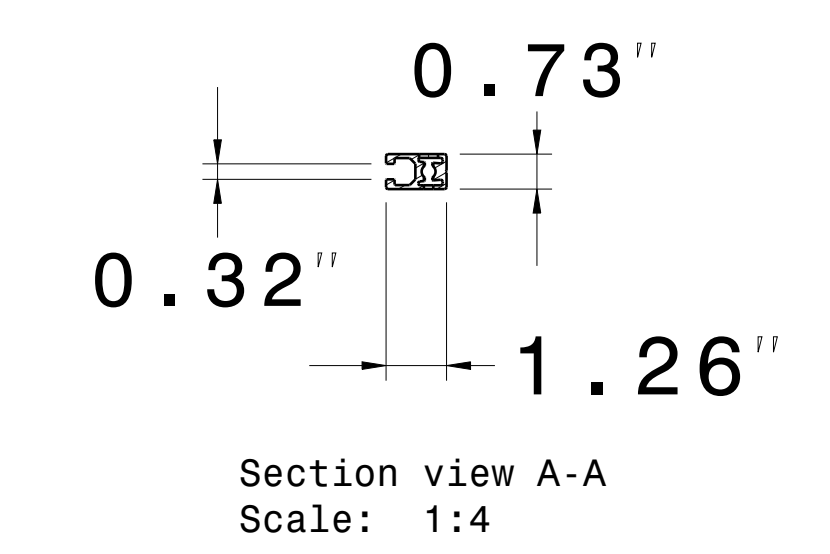
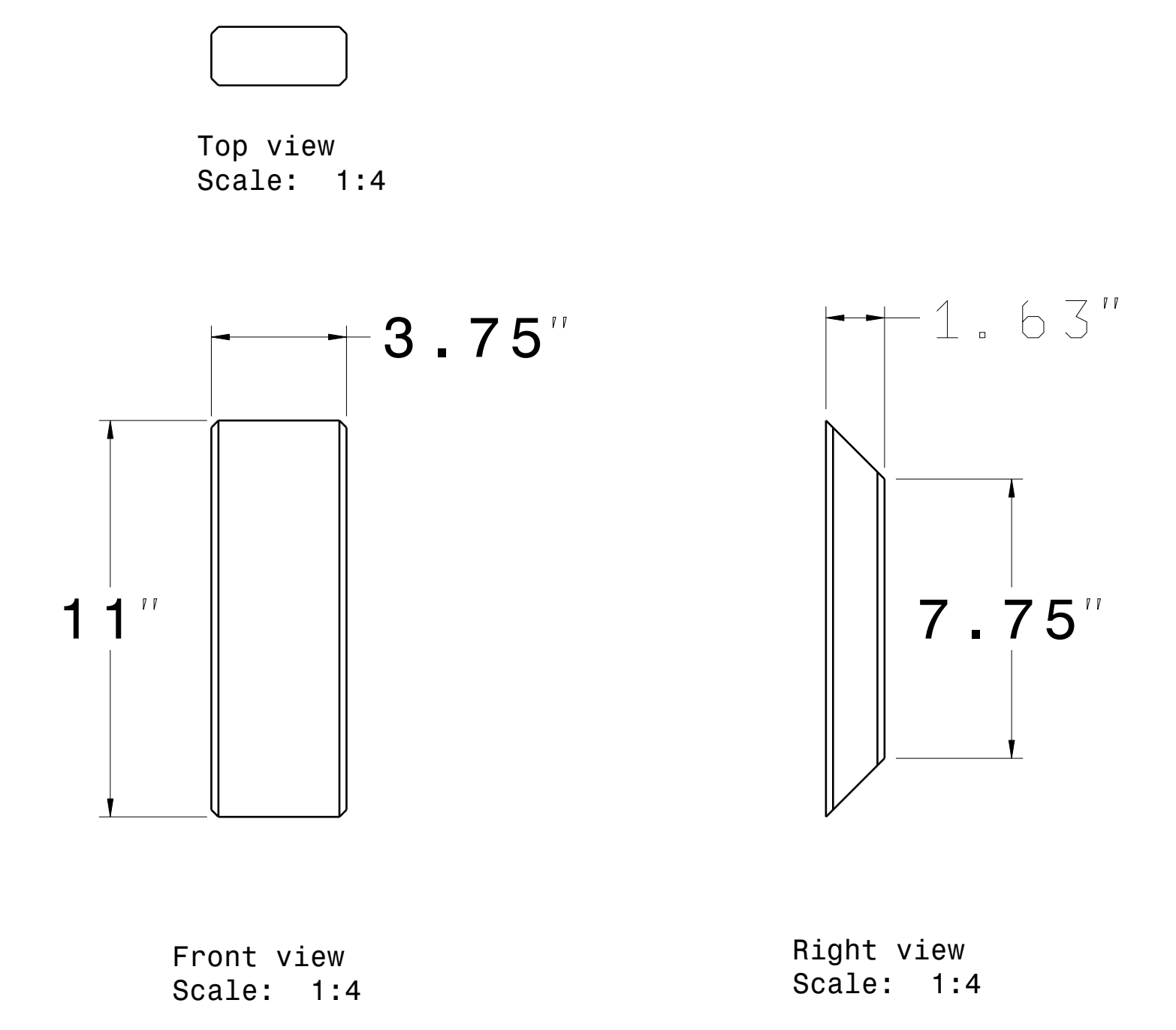
POSITION 7


POSITION 8

POSITION 10



POSITION 9



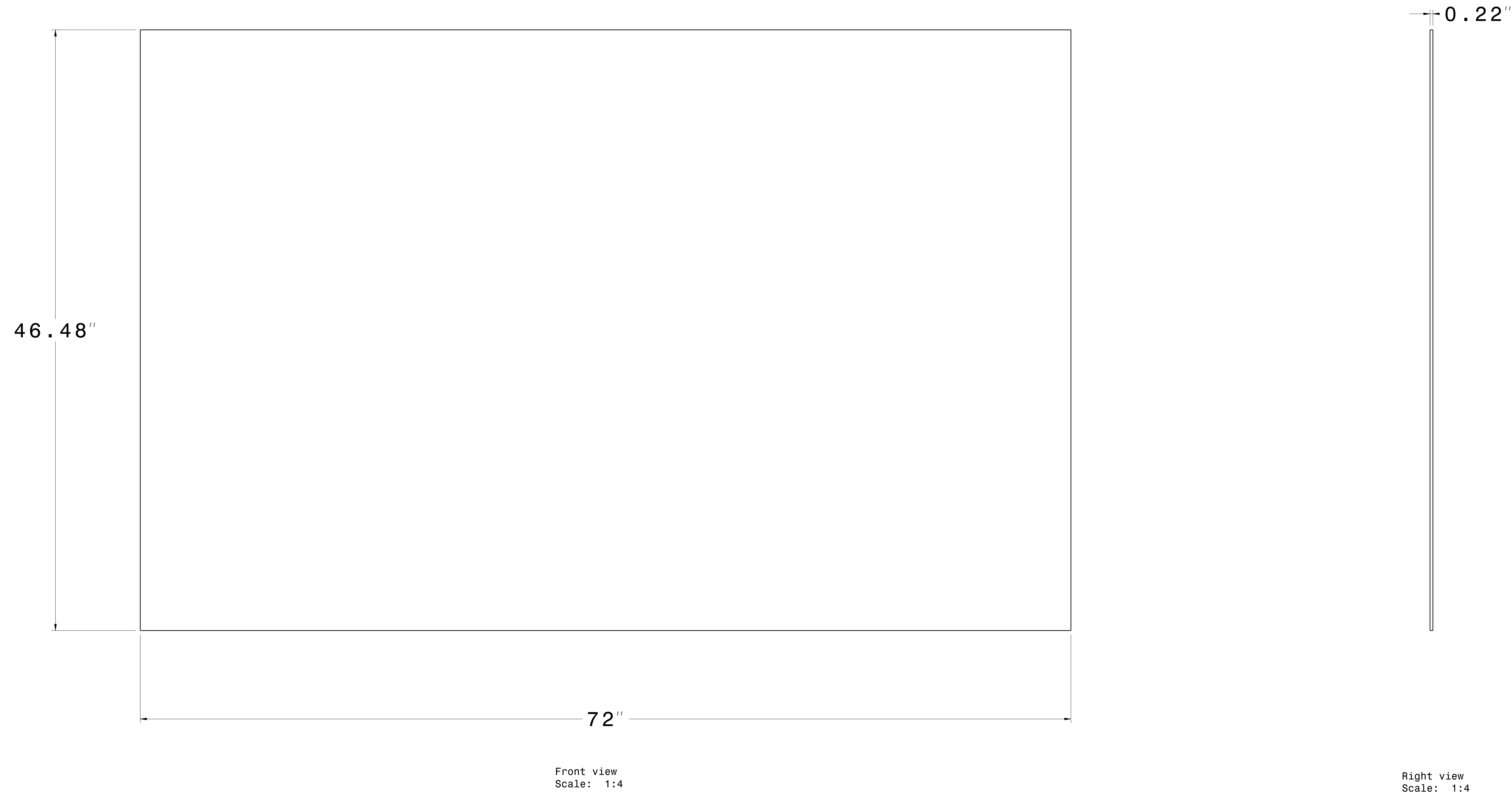
DESIGNED BY: Ivan Hribnik	 AUTOMOTIVE COMMERCIAL RESIDENTIAL	I	-
DATE: 8.5.2021		H	-
DRAWN BY: RALPH VAN PELT		G	-
DATE: 8.9.2021		F	-
USER: User	E	-	
SCALE: 1:4	D	-	
DRAWING NUMBER: 2185-5	C	-	
	B	-	
	A	-	

5. A Mobile Peel Board

6

This drawing is our property. It can't be reproduced or communicated without our written agreement.

POSITION 11

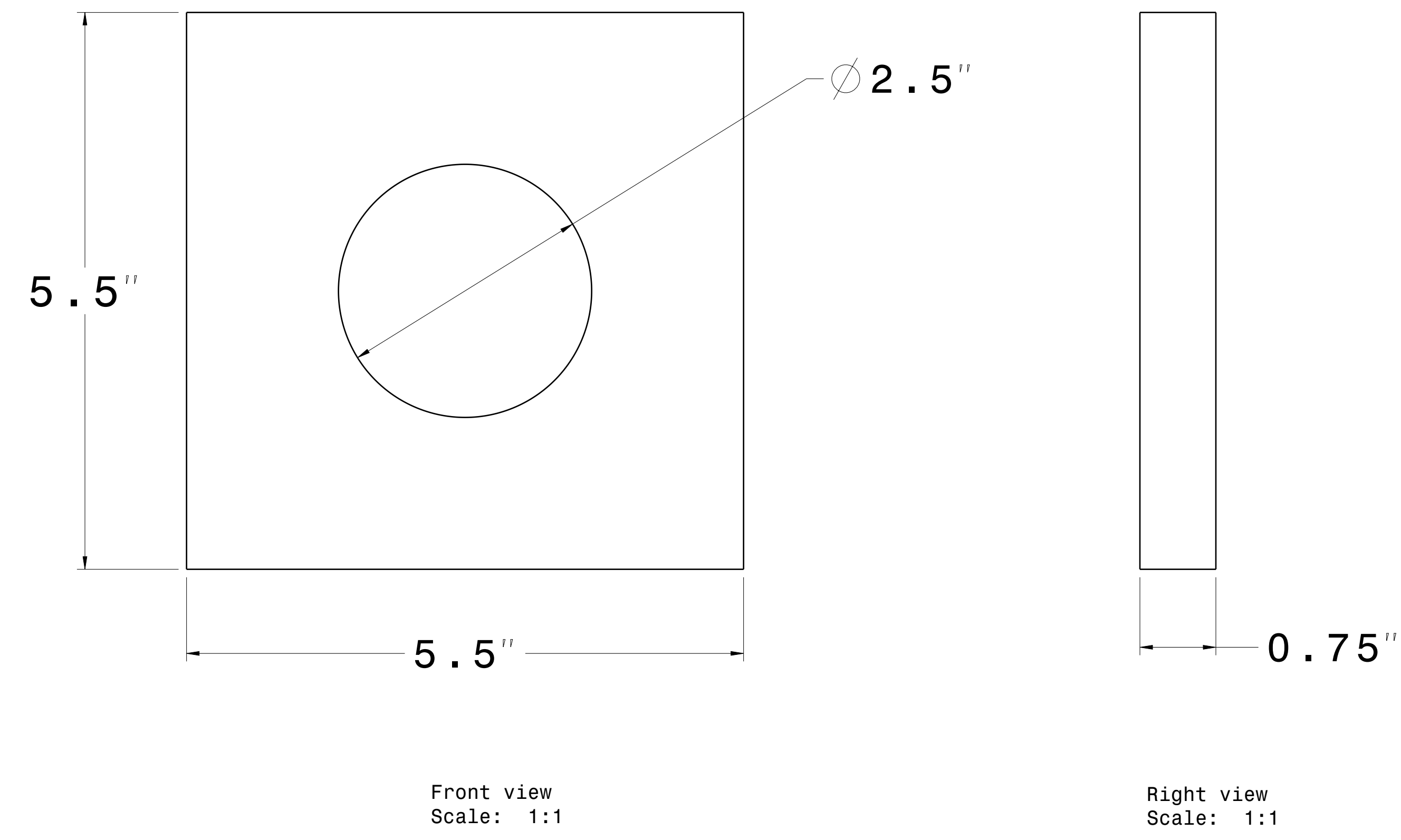


Either plate or tempered glass is recommended.
We do not recommend plexiglass

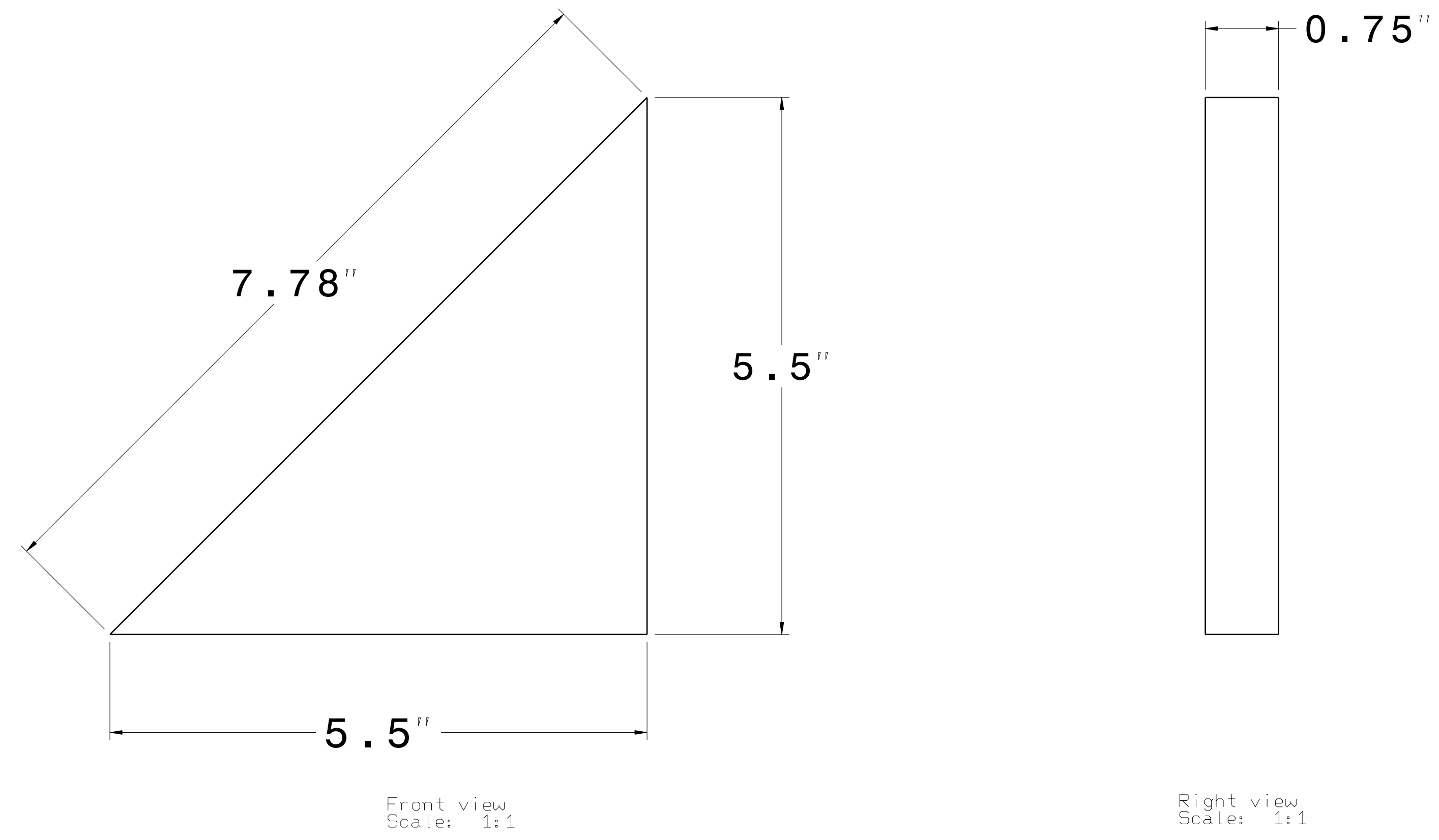
DESIGNED BY: Ivan Hribernik		I	-
DATE: 8.5.2021		H	-
DRAWN BY: RALPH VAN PELT		G	-
DATE: 8.9.2021		F	-
SIZE: User		E	-
		D	-
		C	-
		B	-
		A	-
SCALE: 1:1 (1:4)	DRAWING NUMBER: 2185-6	SHEET: 7	
<small>This drawing is our property. It can't be reproduced or communicated without our written agreement.</small>			



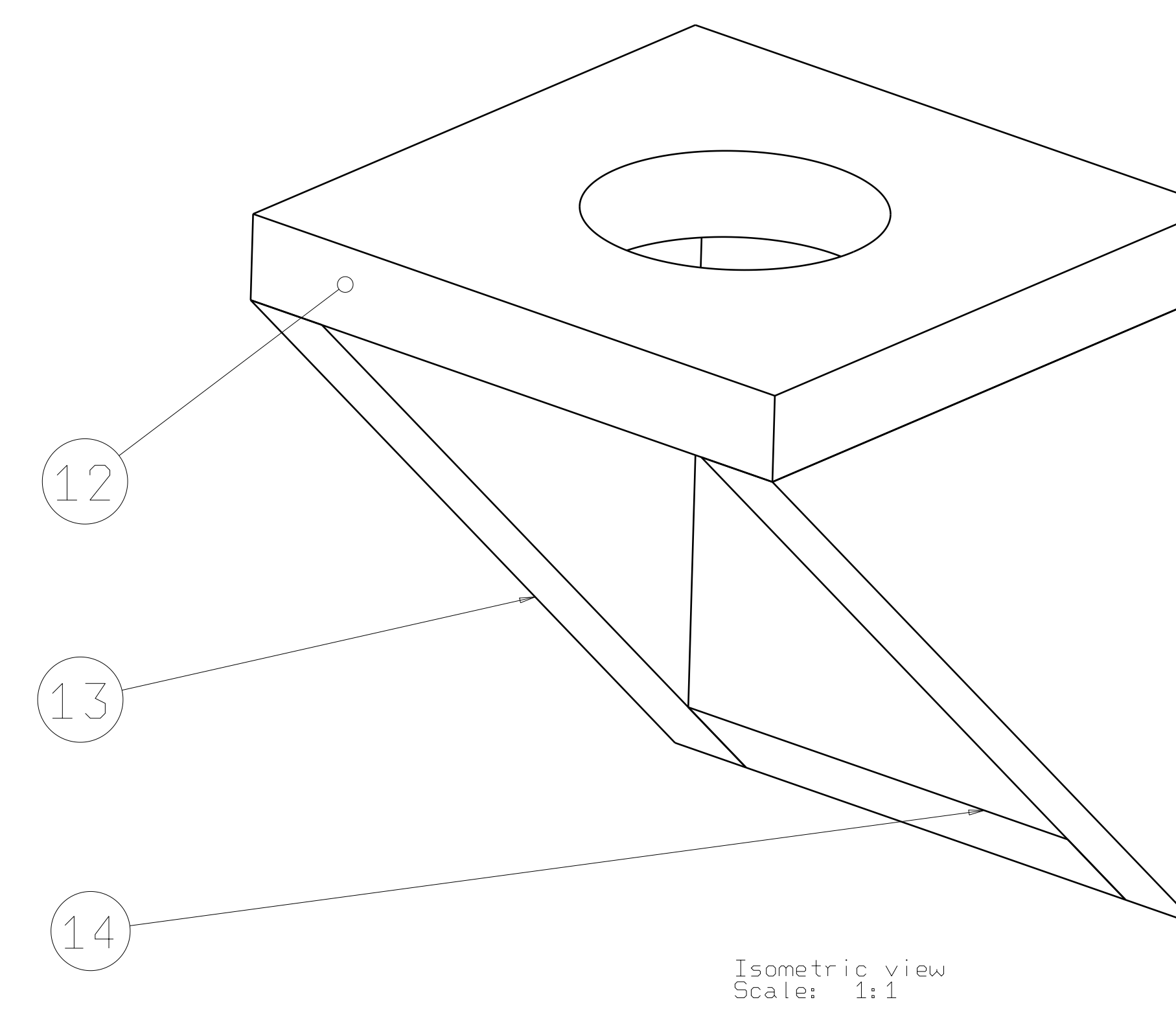
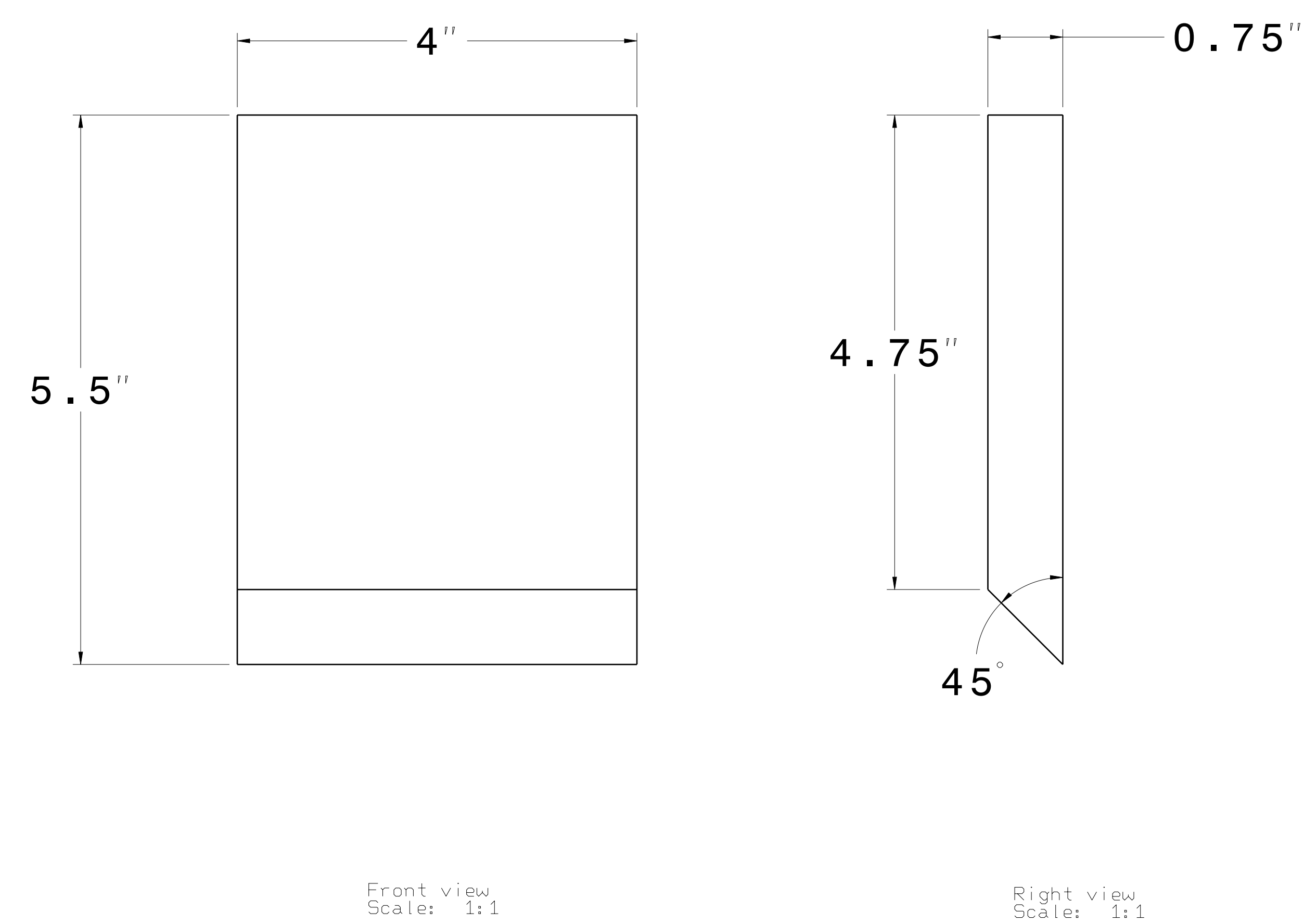
POSITION 12



POSITION 13



POSITION 14



DESIGNED BY: Ivan Hribernik		I	-
DATE: 8.5.2021		H	-
DRAWN BY: RALPH VAN PELT		G	-
DATE: 8.9.2021		F	-
SIZE: User		E	-
SCALE: 1:1		D	-
PROJECT (S): 5. A_Mobile Peel Board		C	-
DRAWING NUMBER: 2185-7		B	-
		A	-
SHEET NUMBER: 8			

This drawing is our property. It can't be reproduced or communicated without our written agreement.

