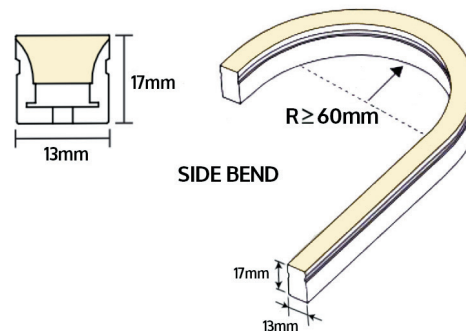
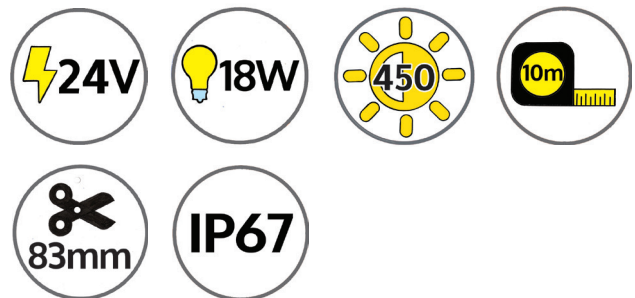


SPLASH12 Side Bend Pixel RGB

Product code	SPLASH12S-SPI
Operating voltage	24V
Wattage per metre	18W
LEDs per metre	192
Lumens per metre	450
Recommended maximum single length	10m??
PCB width	13mm
Cut points	83mm
IP rating	IP67
Beam angle	115°
Approvals	CE/UKCA



- Digitally addressable RGB LED pixel strip, fully encased in a silicone-moulded side-bend housing
- Seamless light output with no visible spotting
- Full range of mounting options includes rigid channel, flexi channel and U clips
- Rear- or side-entry cable via dedicated end caps
- Can be operated using LEDspace controls
- IP67 rating means no dust ingress and protection against temporary water immersion (15cm–1m)
- 2-year warranty



Also from LEDspace



SPLASH12S-MC-R
Rigid mounting channel

SPLASH12S-MC-F
Flexi mounting channel

SPLASH12S-MC
Mounting clip



SPLASH12S-EC
Straight-entry end cap

SPLASH12S-EC-SIDE
Side-entry end cap

SPLASH12S-BOTT
Bottom-entry end cap