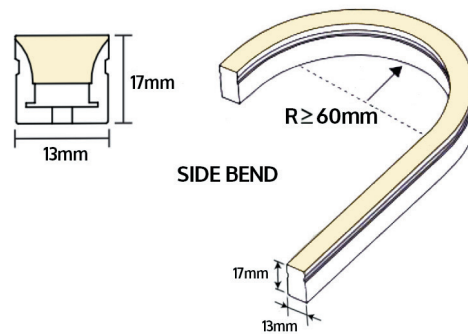
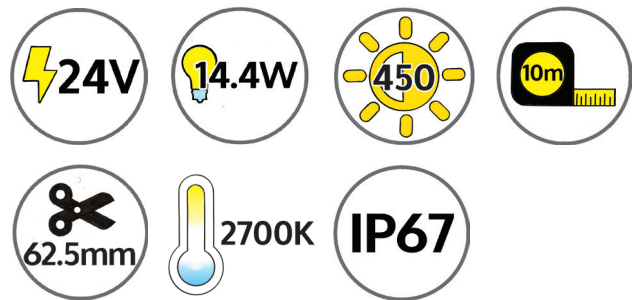


# SPLASH12 Side Bend RGBW

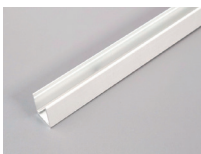
Product code	SPLASH12S-RGBW
Operating voltage	24V
Wattage per metre	14.4W
LEDs per metre	192
Lumens per metre	450
Recommended maximum single length	10m
PCB width	13mm
Cut points	62.5mm
Colour Temperature (white)	2700K
IP rating	IP67
Beam angle	115°
Approvals	CE/UKCA



- RGBW LED strip, fully encased in a silicone-moulded side-bend housing
- Seamless light output with no visible spotting
- Full range of mounting options includes rigid channel, flexi channel and U clips
- Rear- or side-entry cable via dedicated end caps
- Can be operated using LEDspace controls
- IP67 rating means no dust ingress and protection against temporary water immersion (15cm–1m)
- 3-year warranty



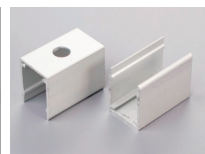
## Also from LEDspace



SPLASH12S-MC-R  
Rigid mounting channel



SPLASH12S-MC-F  
Flexi mounting channel



SPLASH12S-MC  
Mounting clip



SPLASH12S-EC  
Straight-entry end cap



SPLASH12S-EC-SIDE  
Side-entry end cap



SPLASH12S-BOTT  
Bottom-entry end cap