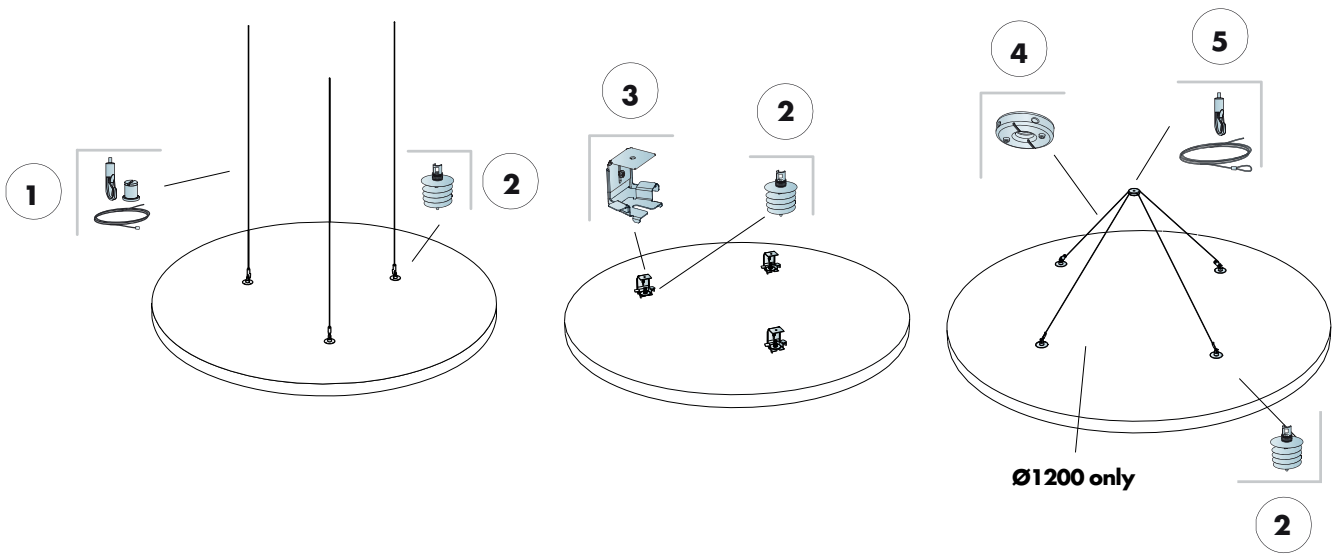


Ecophon Solo™ Circle

Ø800
Ø1200



1. Connect™ Adjustable Wire Kit
1500mm/ 5000mm



3. Connect™ Absorber bracket



4. Connect™ One-point fixing



2. Connect™ Absorber anchor

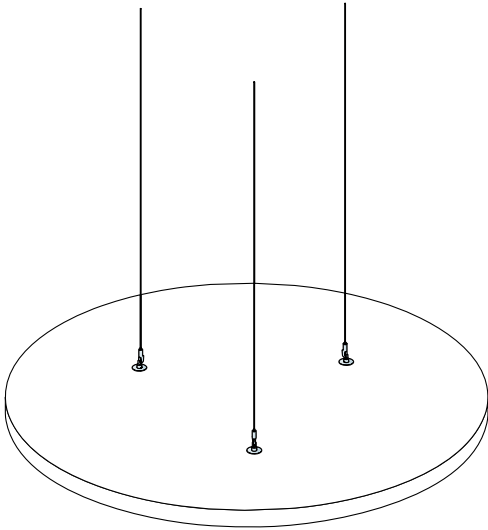


5. Connect™ Adjustable wire
hanger L=2000/5000mm



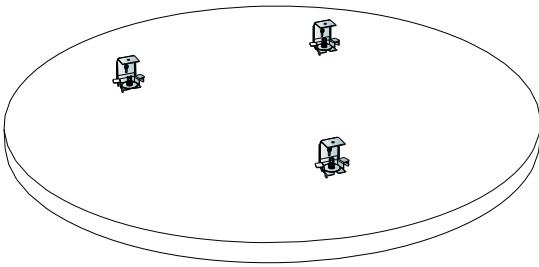
2. Connect™ Absorber anchor





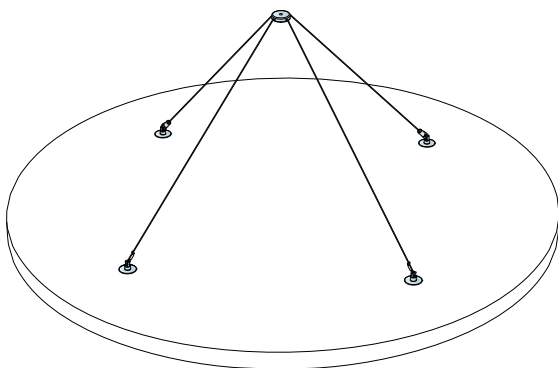
Adjustable Wire

Go to page 3



Absorber Bracket & Anchor

Go to page 7



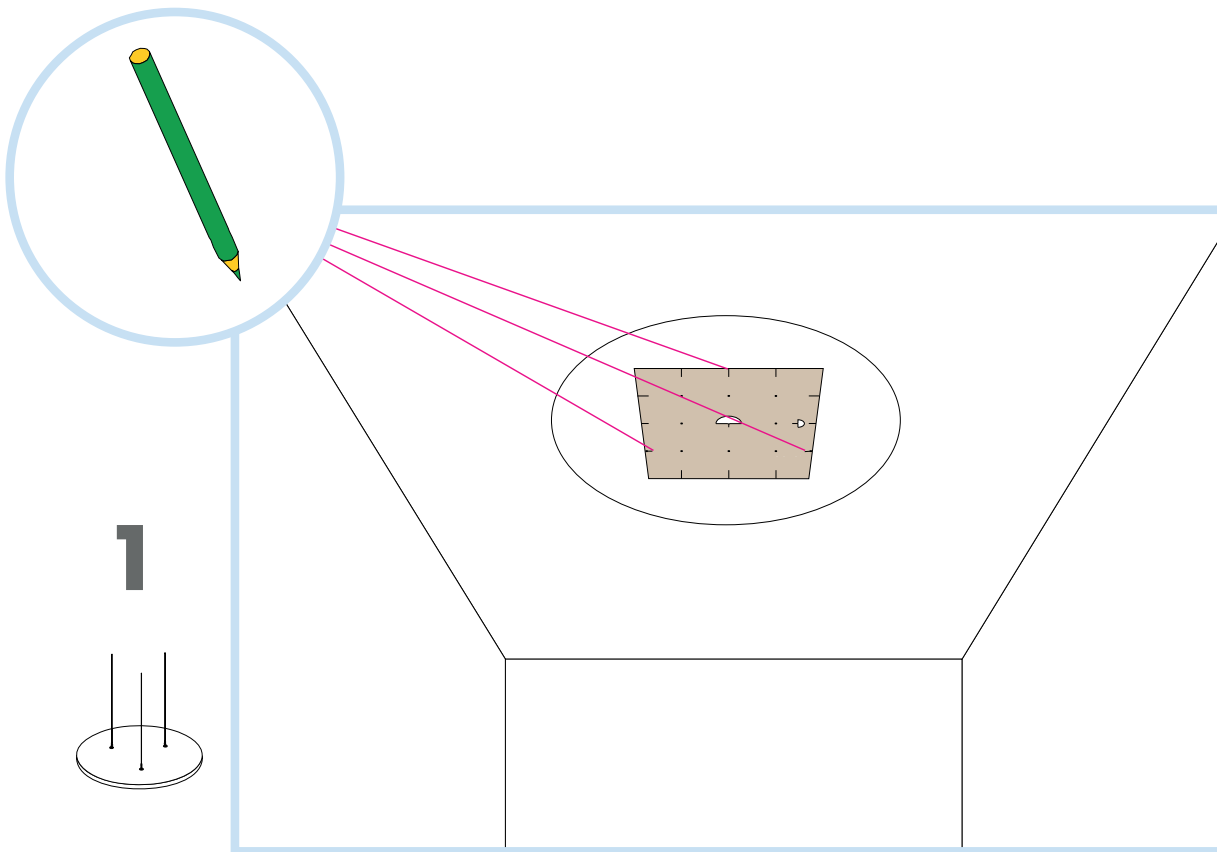
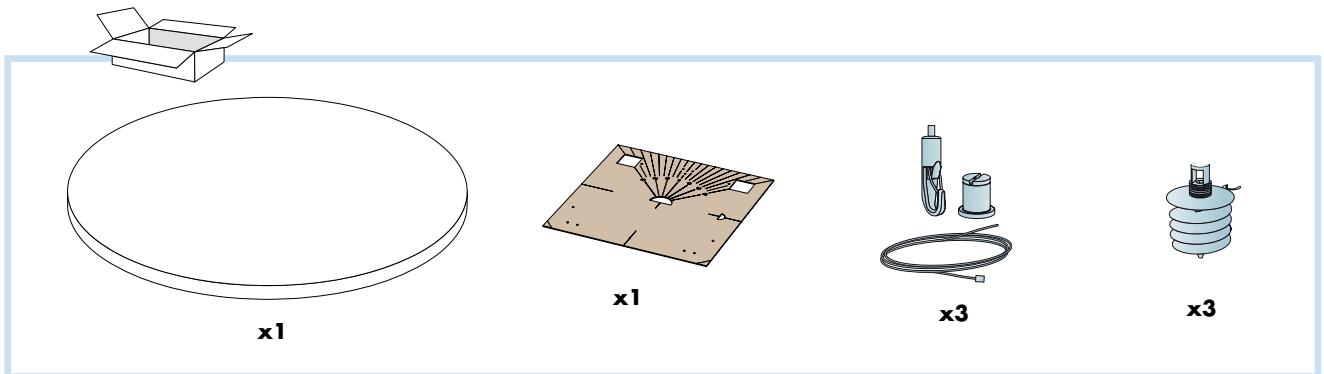
One-Point Fixing

Only available for 1200mm

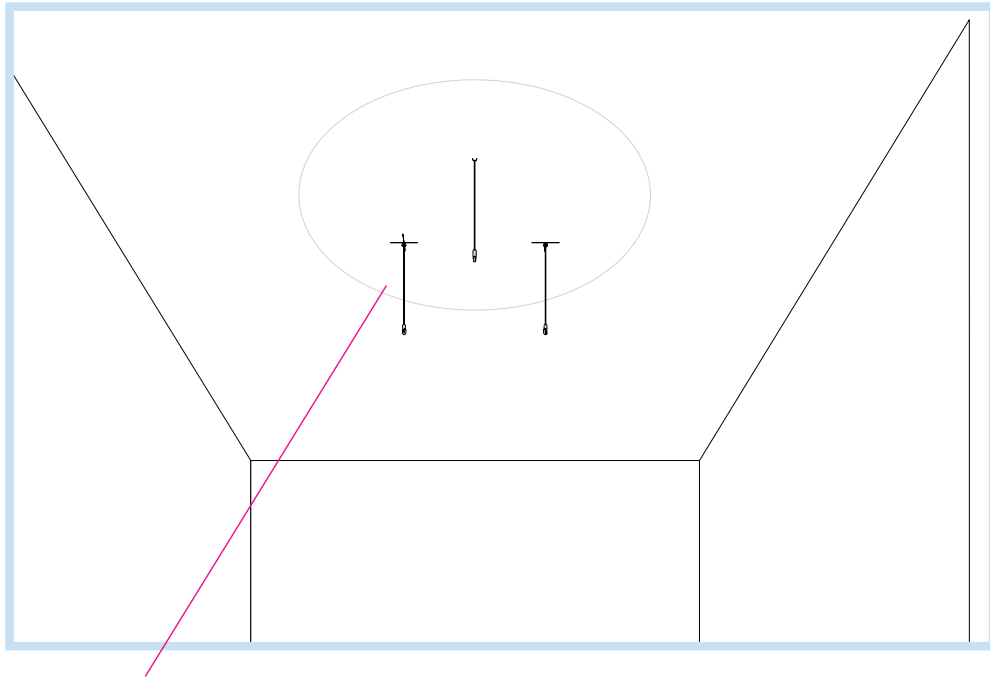
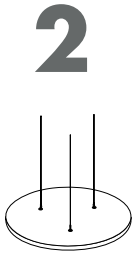
Go to page 11

Solo™ Circle 800/1200mm

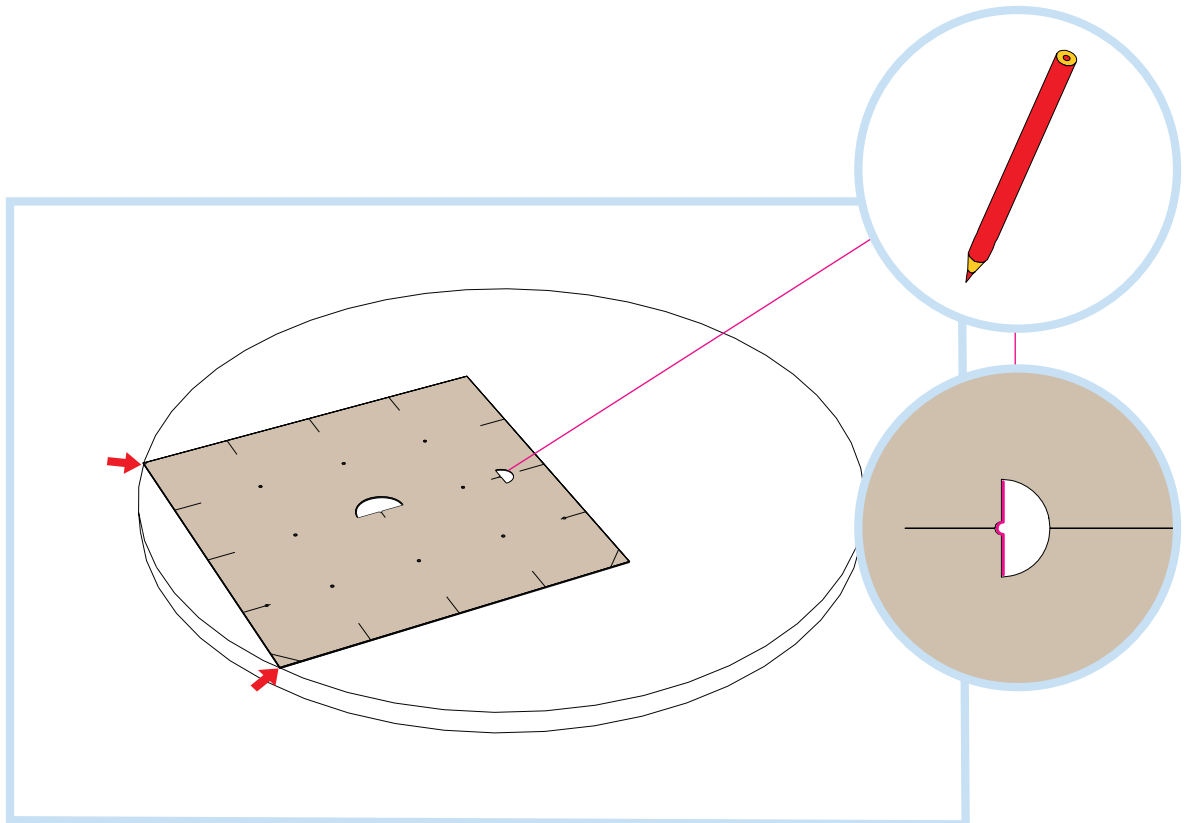
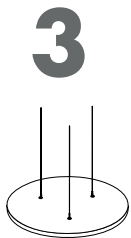
Adjustable Wire & Absorber Anchor



Use template to mark out the 3 fixing positions on ceiling using the points shown above. It should be an equilateral triangle with the points 520mm apart.

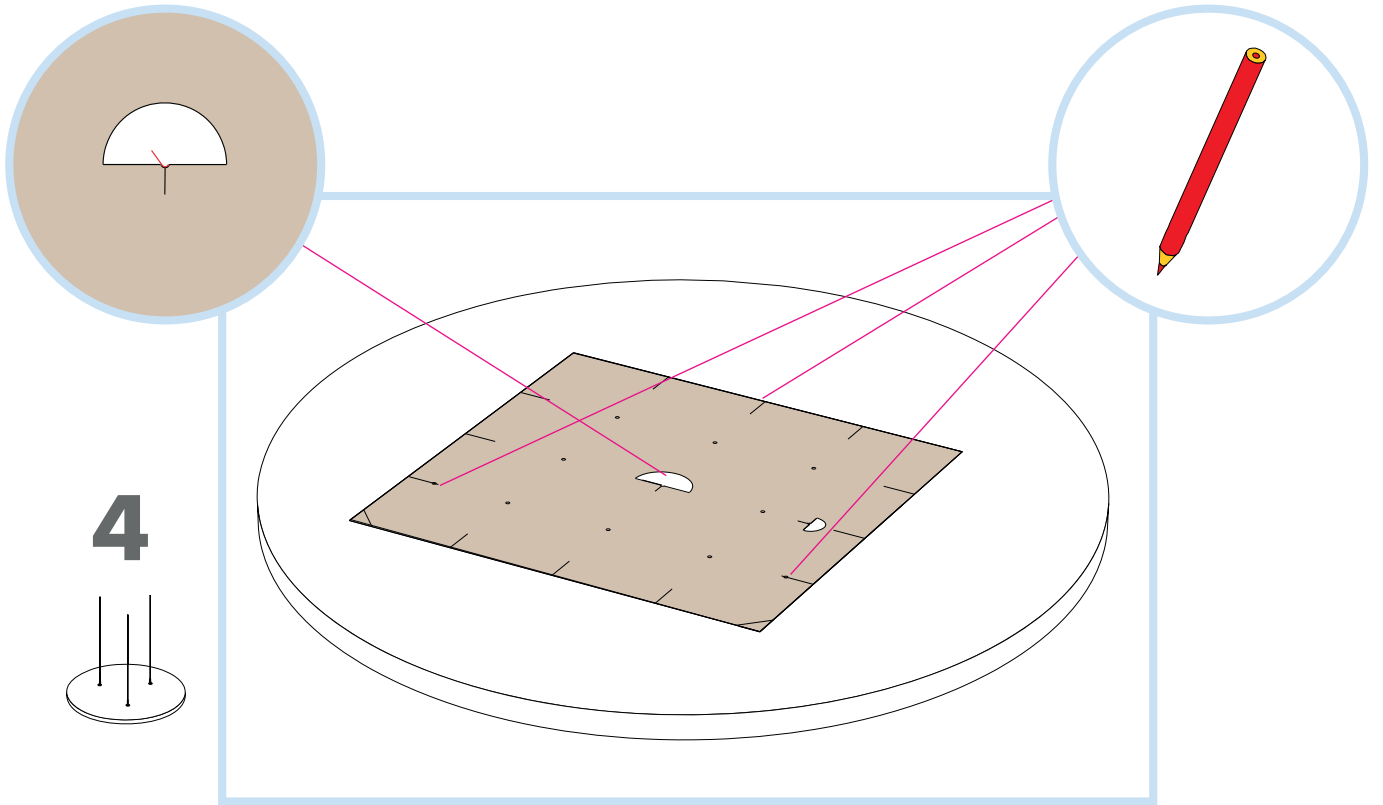


Screw the cup part part of Wire Hanger Kit into ceiling positions marked. Attach wire and hook.

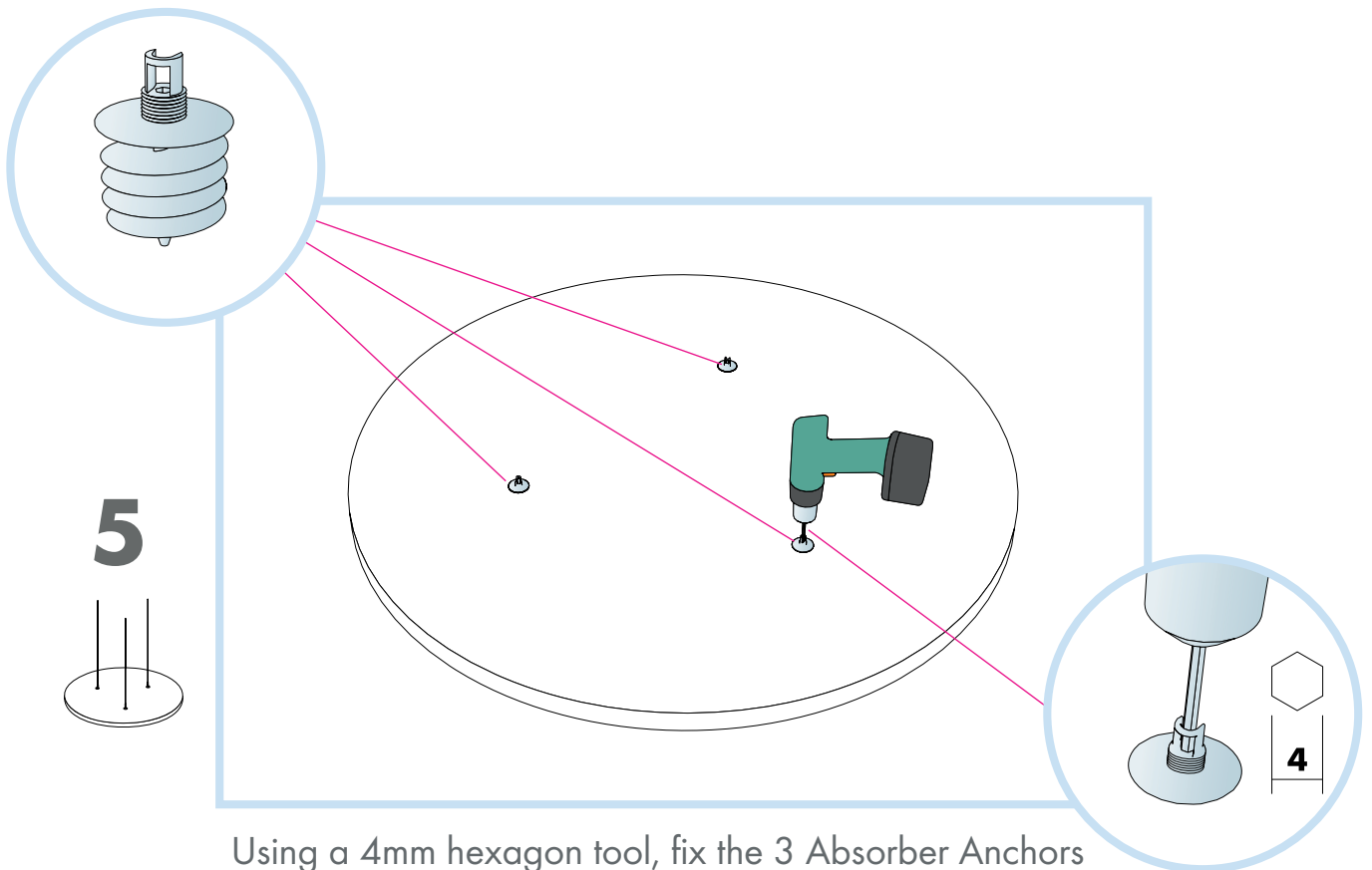


On the rear of the Solo, mark the centre point by aligning the corners of the template with the edge of the Solo as shown.

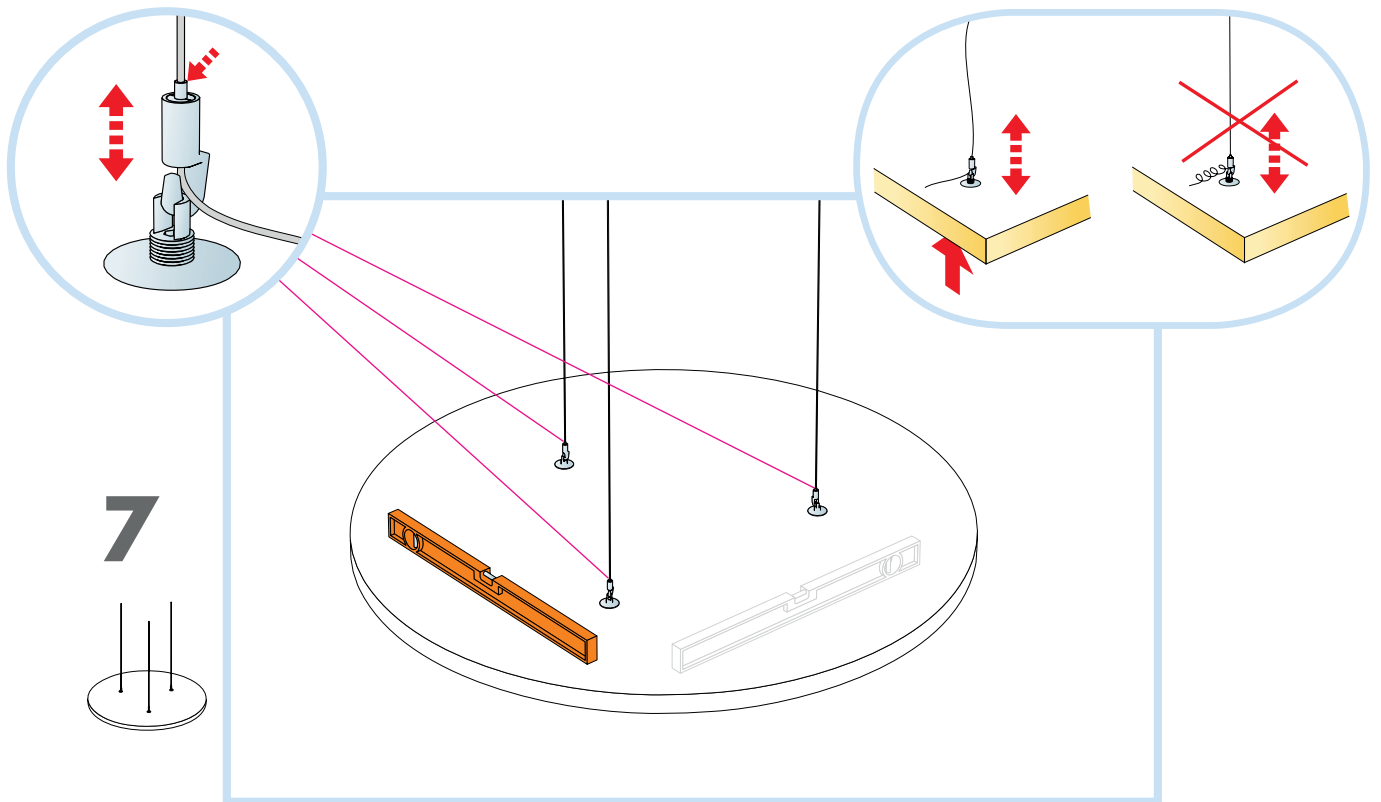
For 1200 circle, align to corners of template, for 800 circle, align to curved line.



Using the line made in the middle of the panel, line up the template, then mark out the 3 fixing points as shown above.



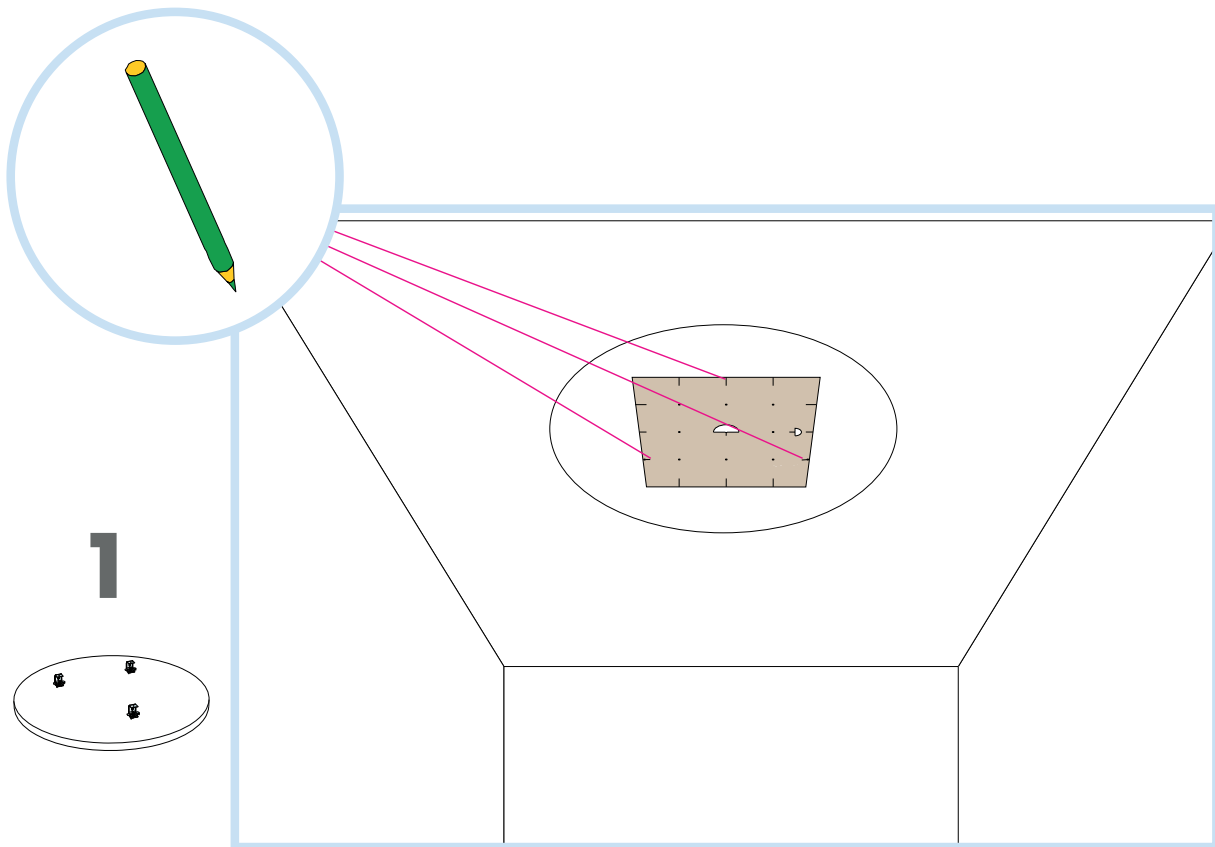
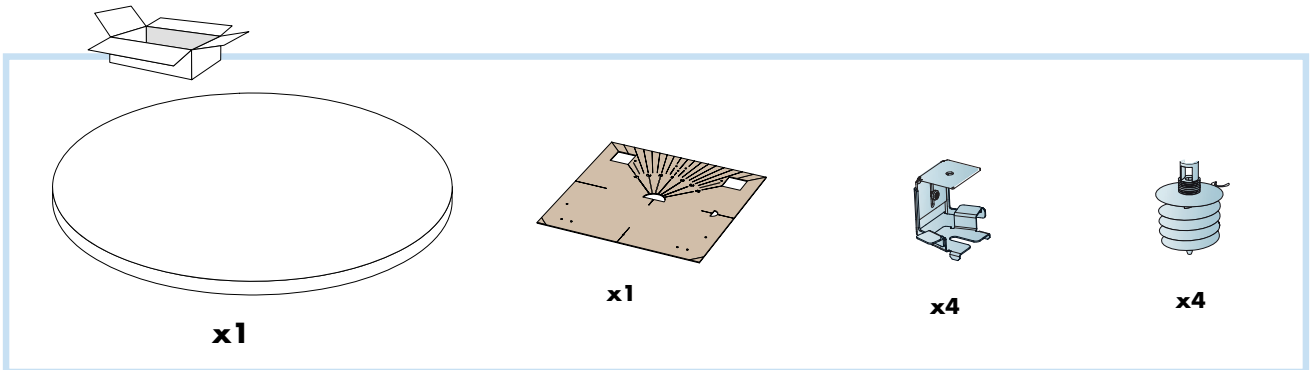
Using a 4mm hexagon tool, fix the 3 Absorber Anchors into the points made.



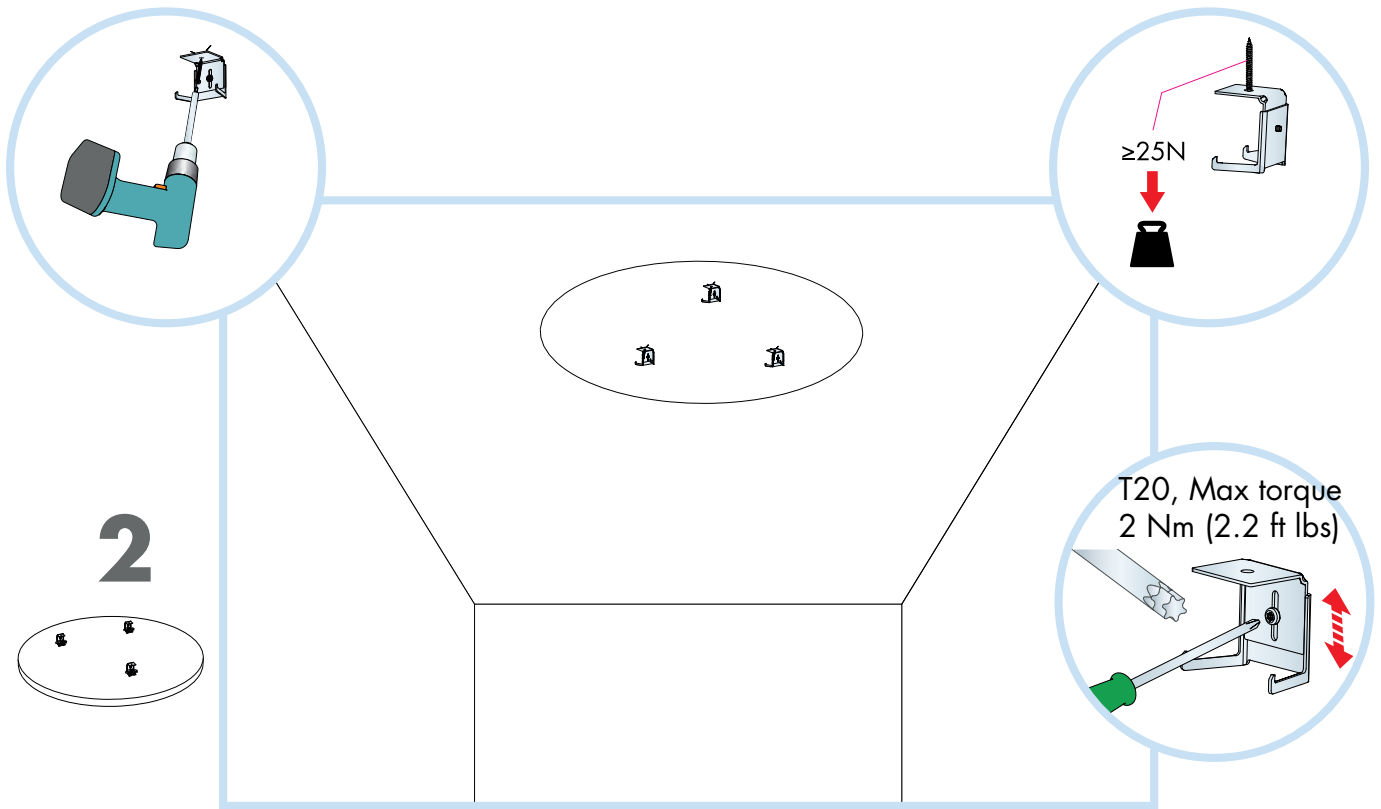
Attach the Adjustable Wire Hanger hooks to the Absorber Anchors and adjust by depressing the button on top of the hook, which enables the hook to travel up and down the wire. All wires should be under tension.

Solo™ Circle 800/1200mm

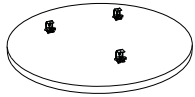
Absorber Bracket & Absorber Anchor



Use template to mark out the 3 fixing positions on ceiling using the points shown above. It should be an equilateral triangle with the points 520mm apart.

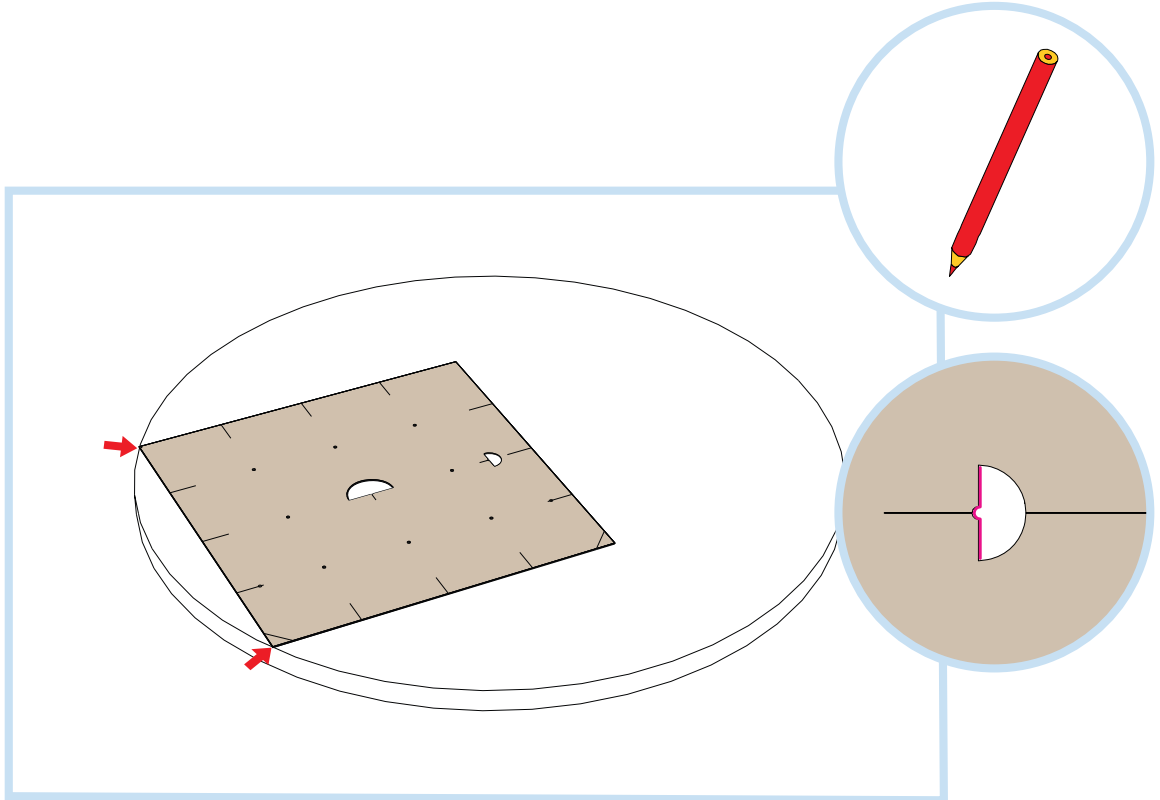
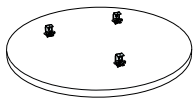


2

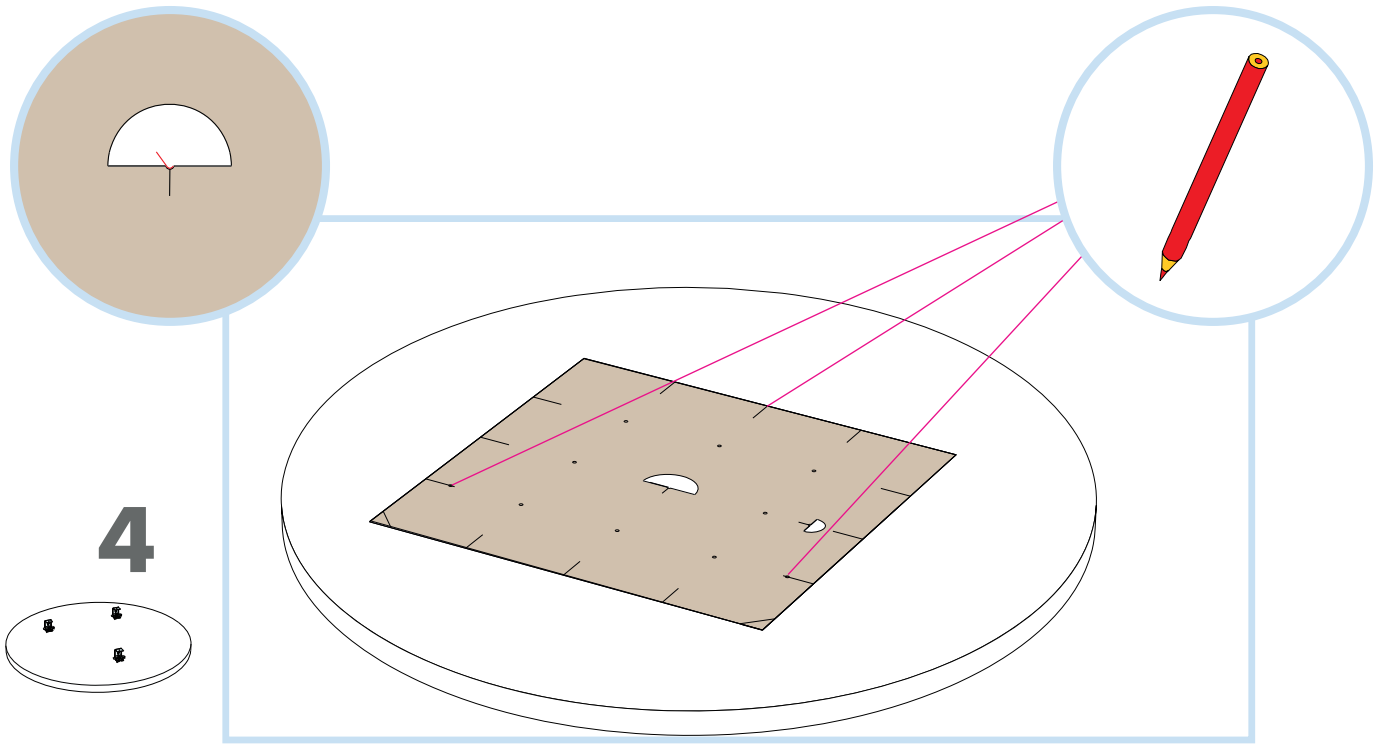


Screw the top of the bracket into the ceiling at the points already marked

3

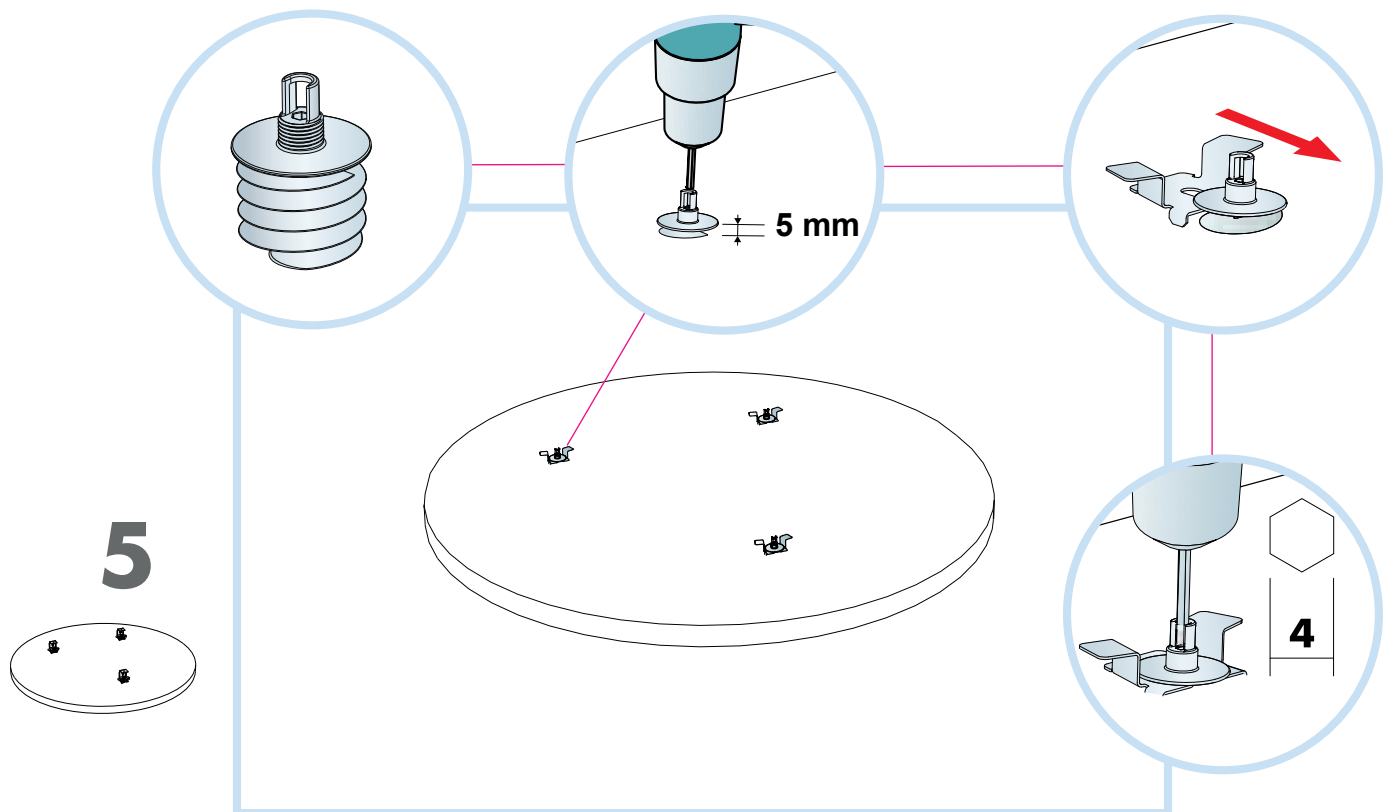


On the rear of the Solo, mark the centre point by aligning the corners of the template with the edge of the Solo as shown. For 1200 circle, align to corners of template, for 800 circle, align to curved line.



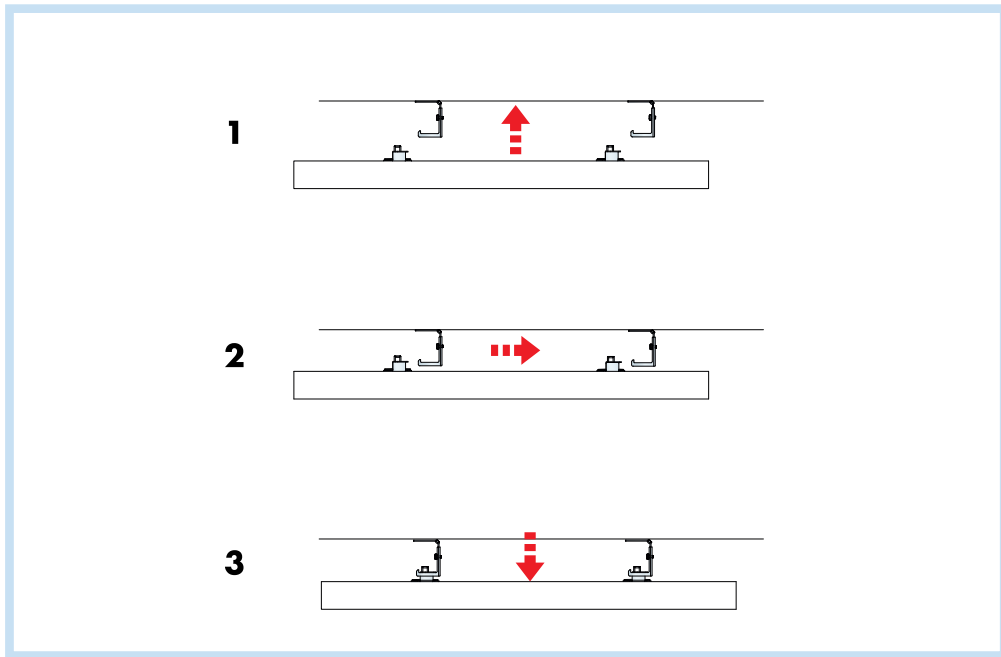
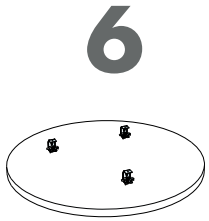
4

Using the line made in the middle of the panel, line up the template, then mark out the 3 fixing points as shown above.



5

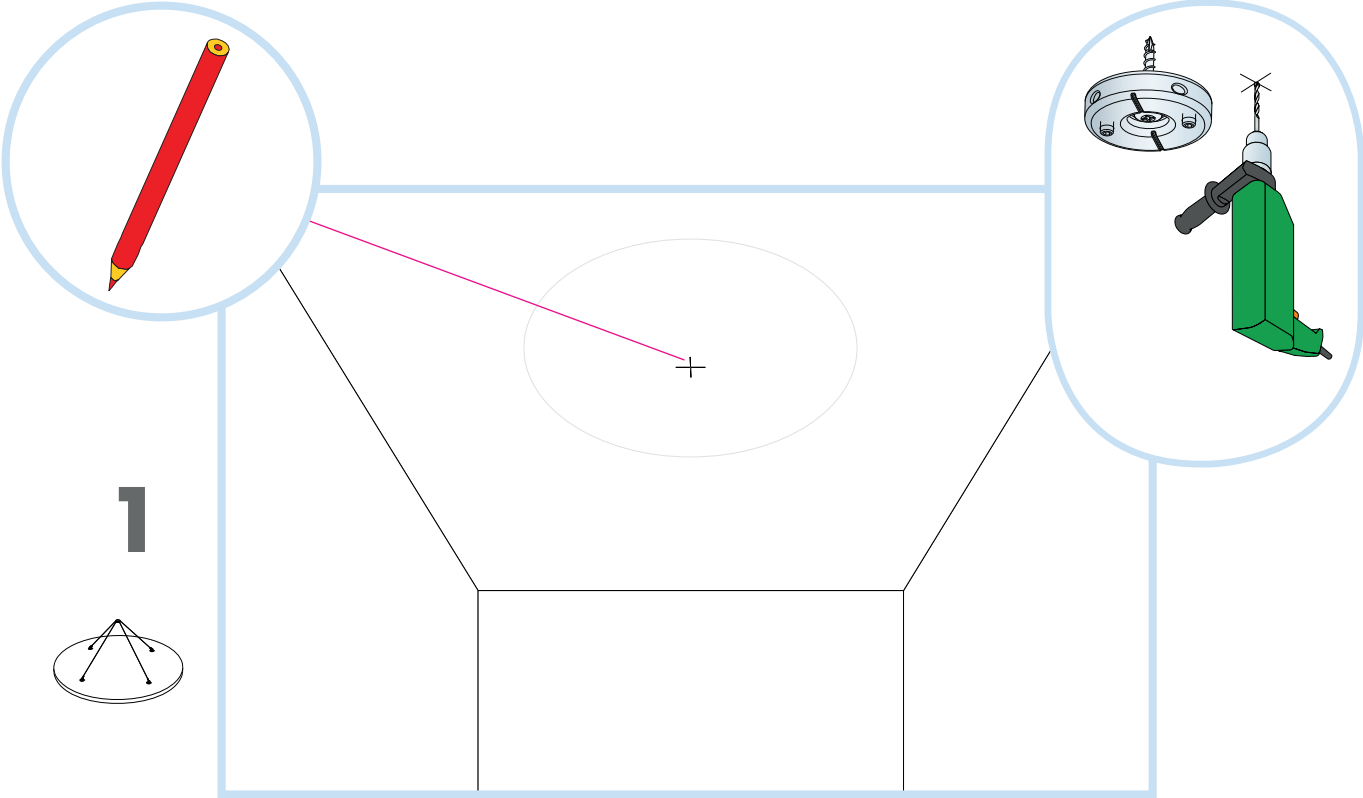
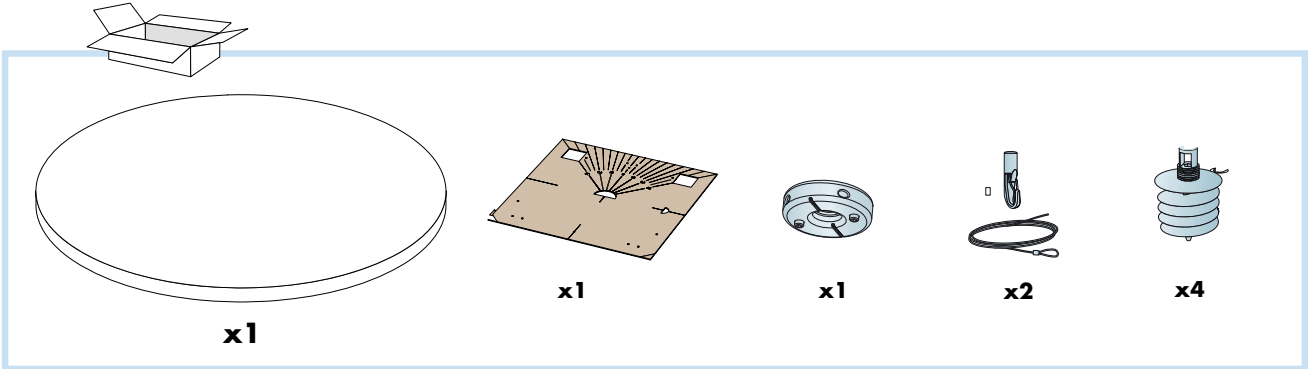
Using a 4mm hexagon tool, fix the 3 Absorber Anchors into points made, leaving 5mm distance between the panel and the head of the anchor. Slide the arms of the bracket under the head of the anchor and fasten with a screw driver.



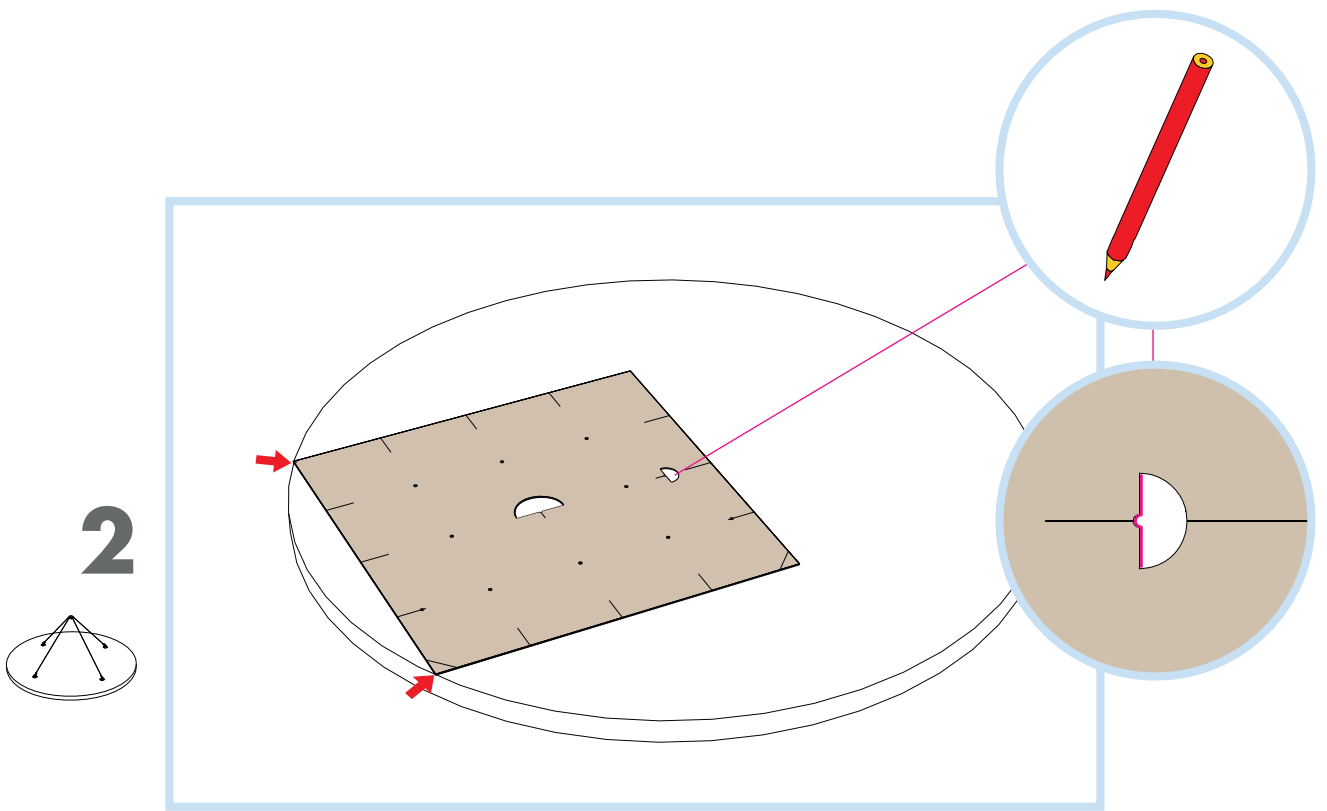
Lift the panel up onto the bracket and slide in place.

Solo™ Circle 1200mm

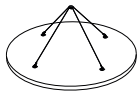
One-Point Fixing & Absorber Anchor



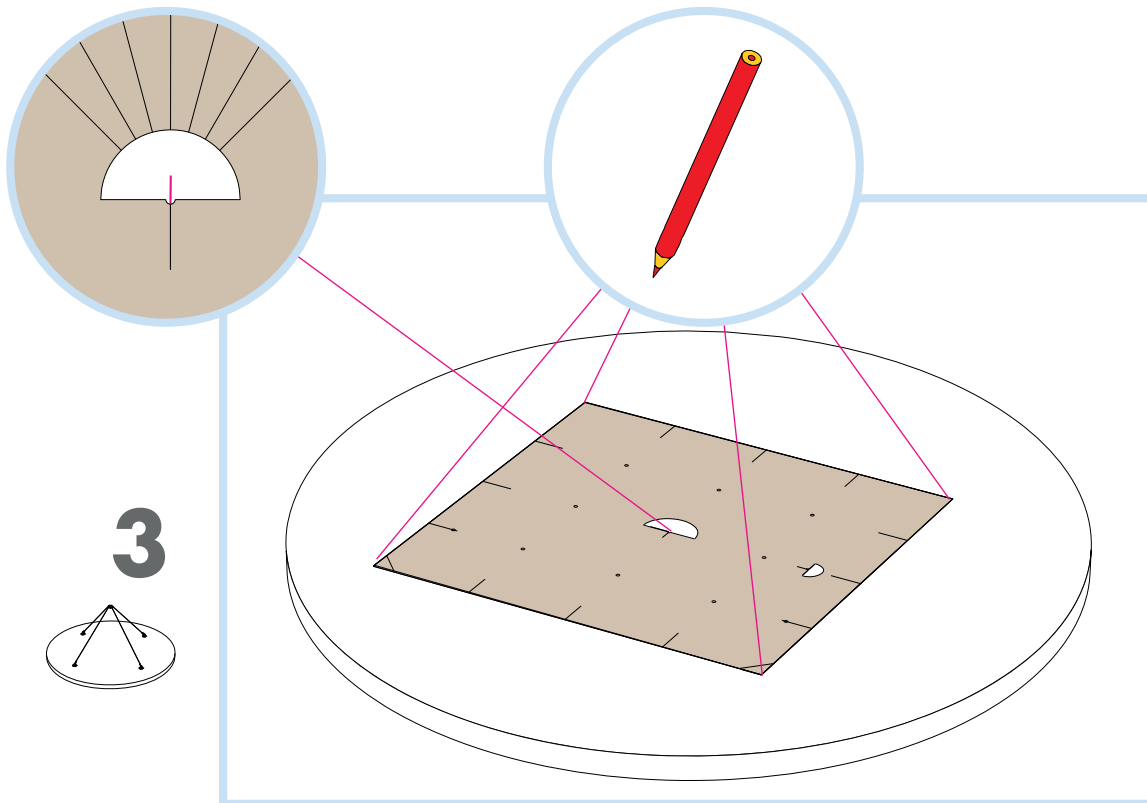
Decide on the placement of the panel, ensuring the One-Point fixing is screwed into the central point on the ceiling.



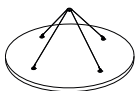
2



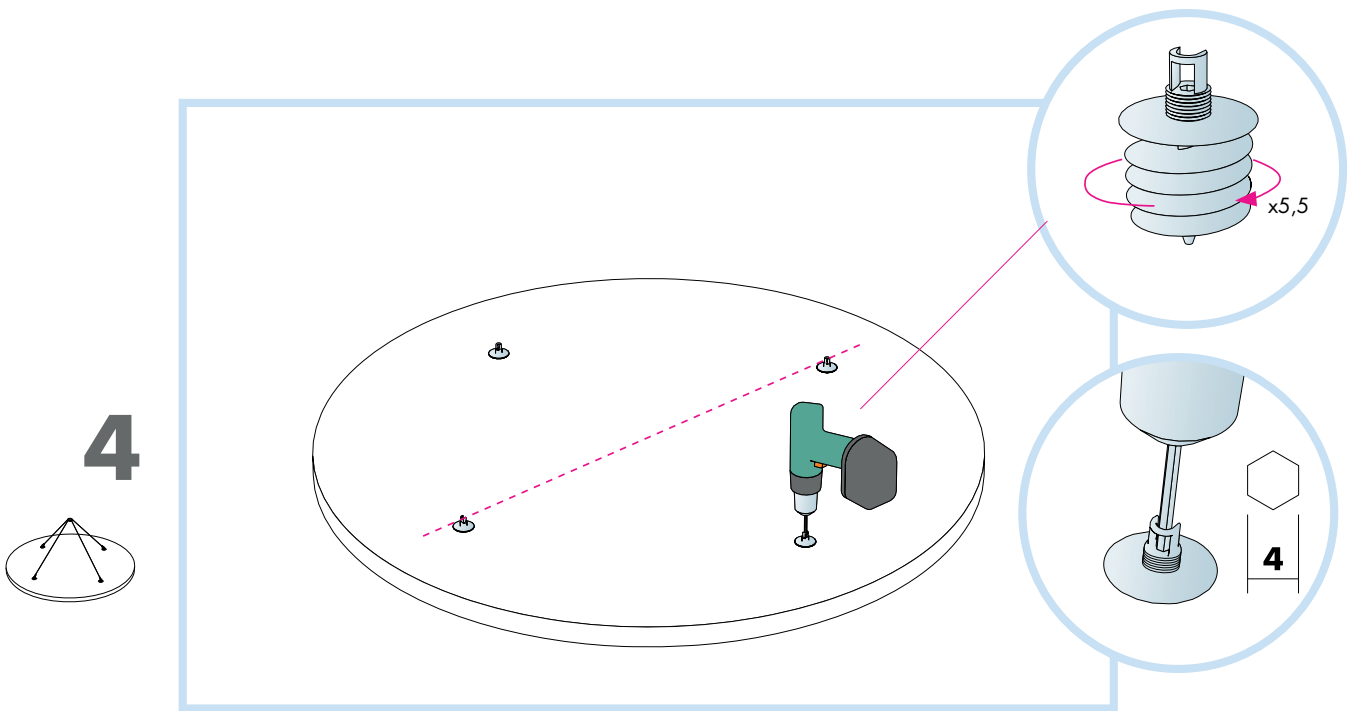
On the rear of the Solo, mark the centre point by aligning the corners of the template with the edge of the Solo as shown.



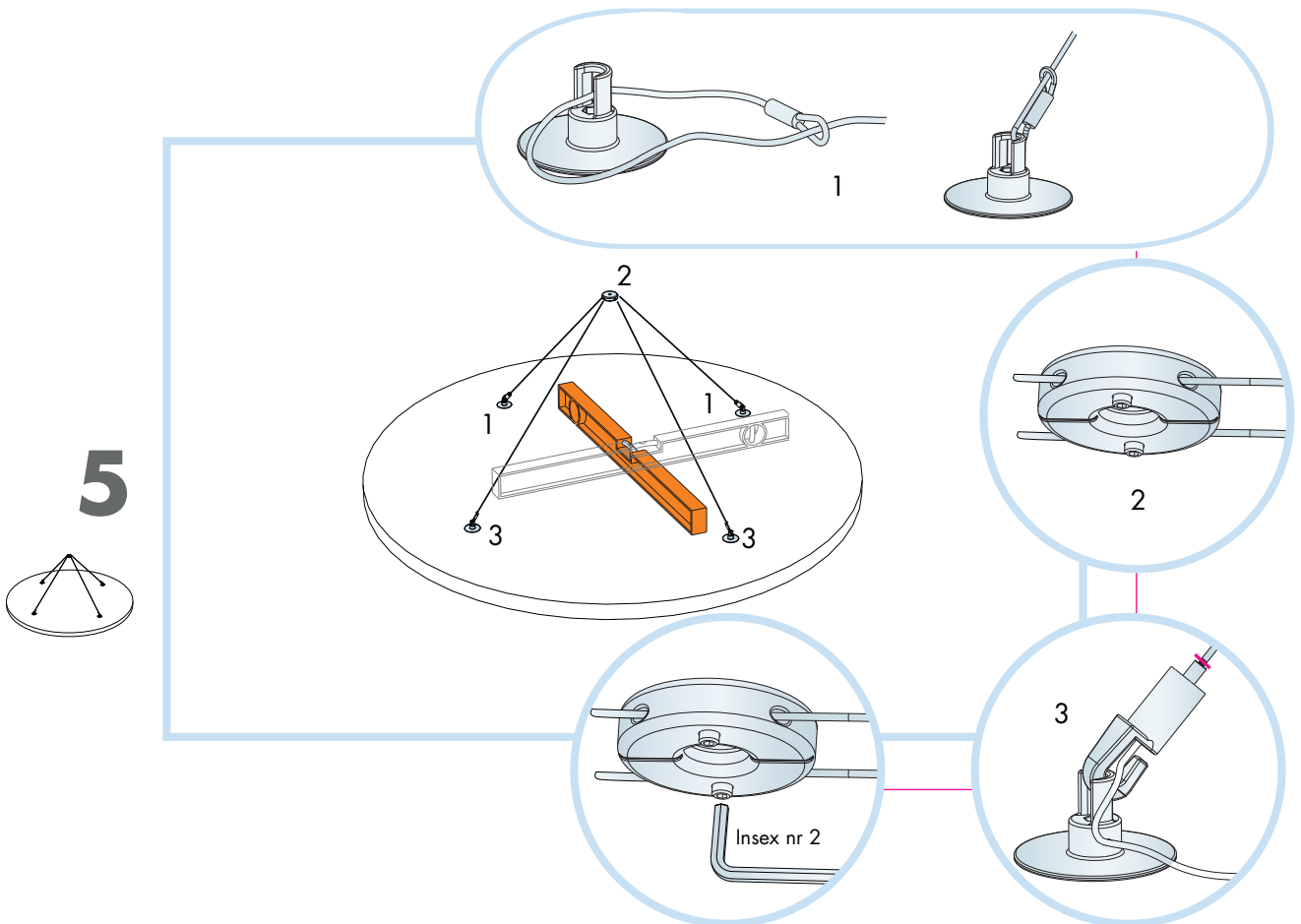
3



Using the line made in the middle of the panel, line up the template and then mark each corner.



Position the Anchors into the panel on the four points marked, do 5.5 rotations of ensuring the opening of the eye is facing inwards. Shown in the above picture.



Feed the end of wire through the eye of the anchor shown in diagram 1. Then feed the wire through the One-Point fixing shown in diagram 2. Slide the hook onto the wire Absorber Anchors and adjust by depressing the button on top of the hook, which enables the hook to travel up and down the wire and secure to anchor. Repeat this with the second wire on remaining two anchors. Ensure the panel is level whilst hoisting up to desired length