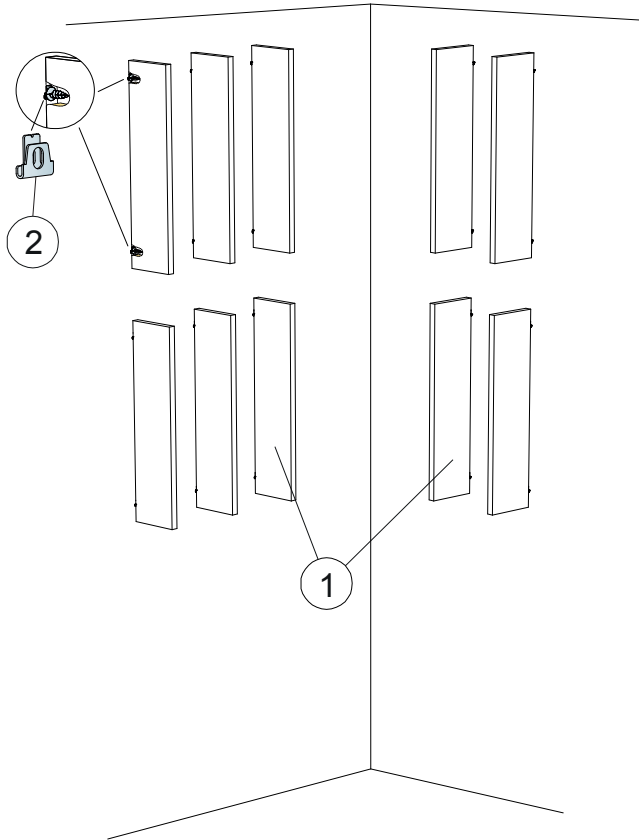


THAT **Sounds Better**

Ecophon Solo™ Baffle Wall

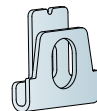
1200x300



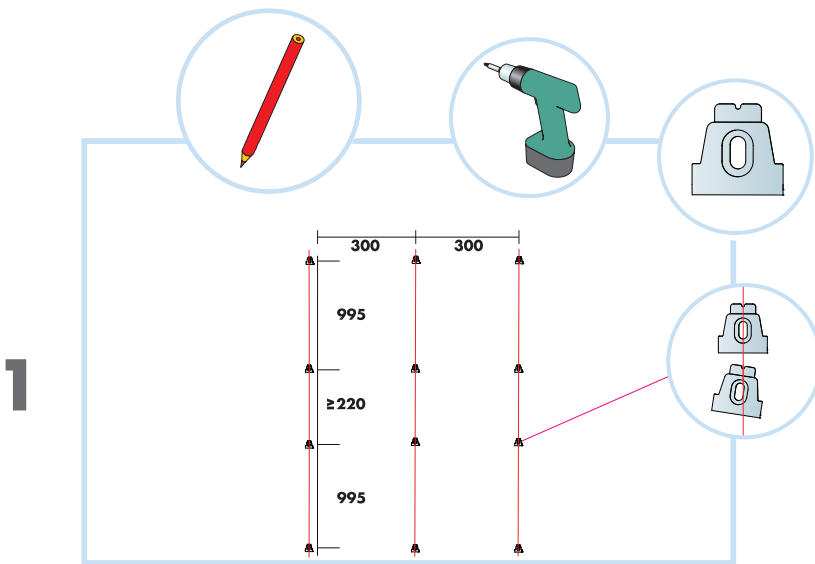
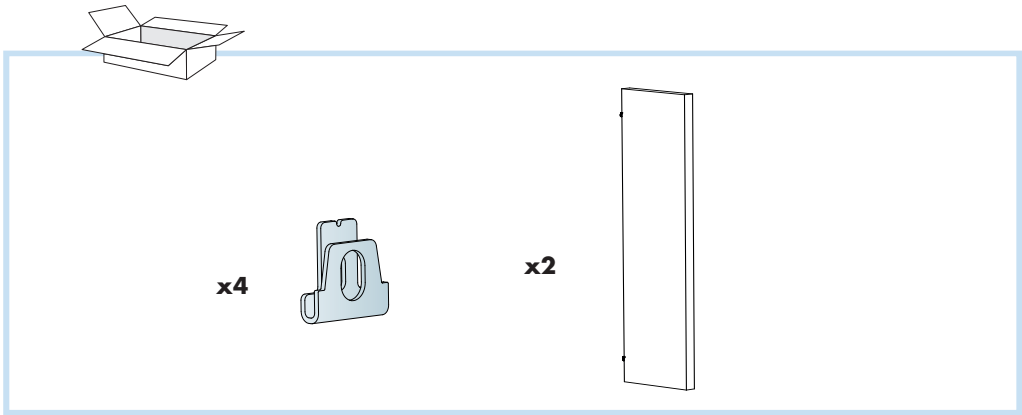
1. Ecophon Solo Baffle 1200x300
Anchor already inserted



2. Connect Baffle wall fixing



Installation guide Solo Baffle Wall

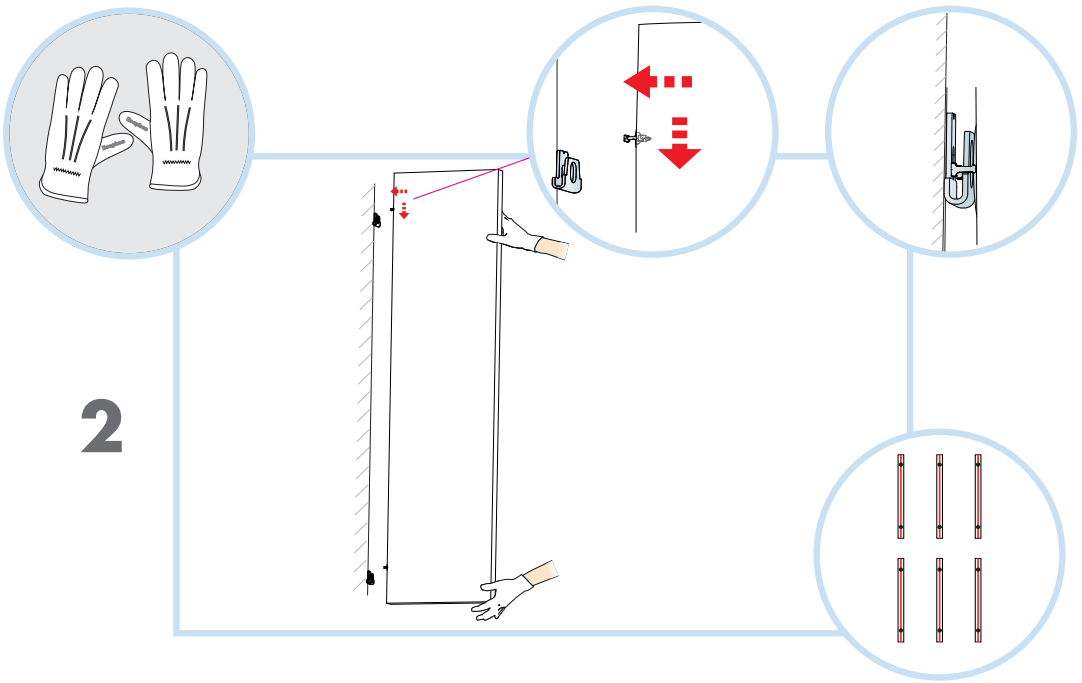


Mark on the wall where you want your baffles to sit, please note the anchor is 100mm below the top of baffle.

Leave a 300mm gap between each baffle for optimum absorbency. If you are layering baffles leave a 220mm gap between layers.

Using a drill secure the Connect Baffle Hook to the wall, ensuring it is straight.

It is not advised to hang Solo Baffle Wall panels horizontally.



Wearing gloves, slide the baffle hook over the anchor and release down to engage, ensure you are engaging the top and bottom hook in one movement.