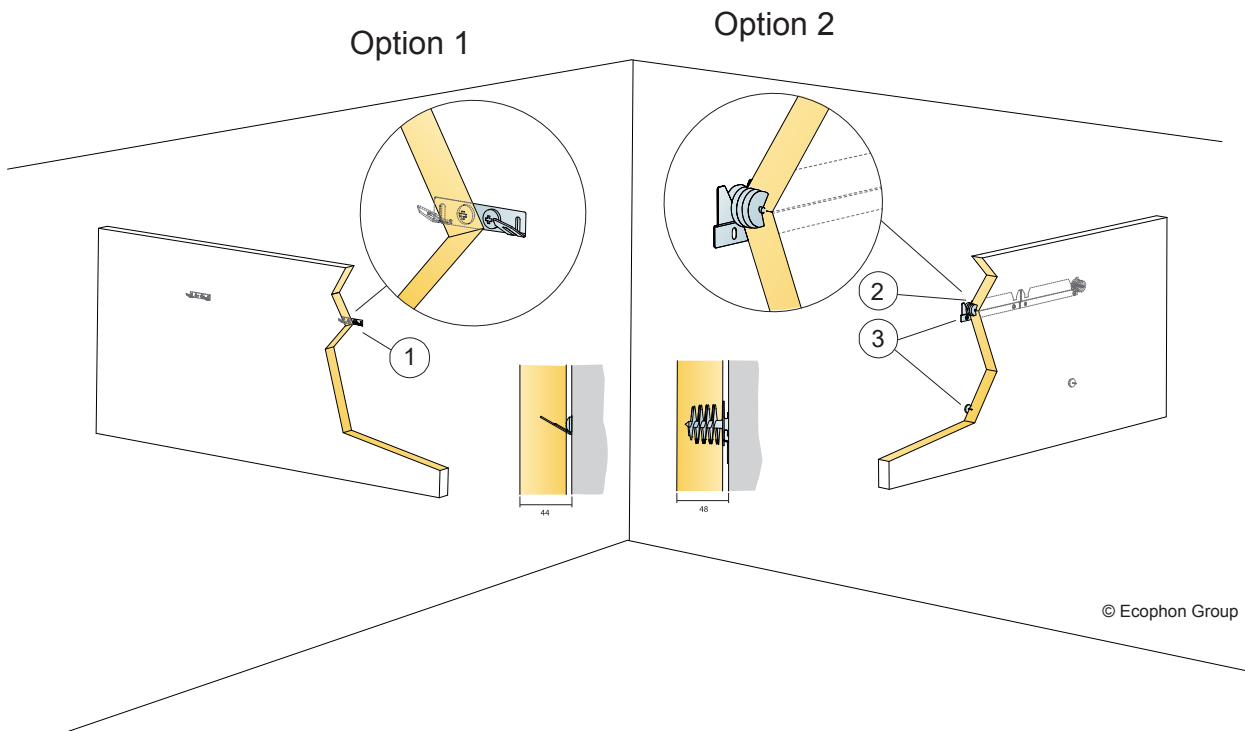


THAT **Sounds Better**

Ecophon Akusto™ One Square & Rectangle

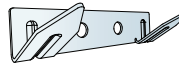
1200x300mm/1200x600mm



© Ecophon Group

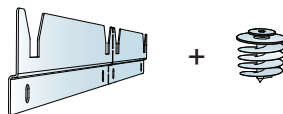
Option 1

1. Connect™ One hook fixing

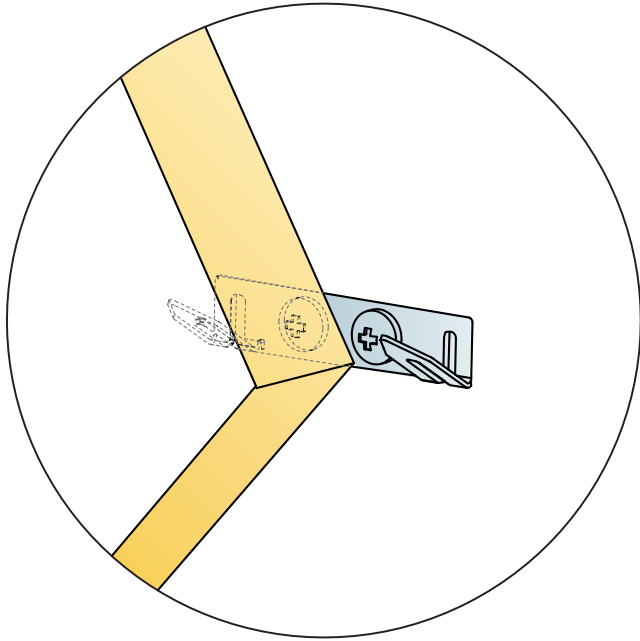


Option 2

2. Connect™ One trim with
3. Connect™ Absorber anchor one

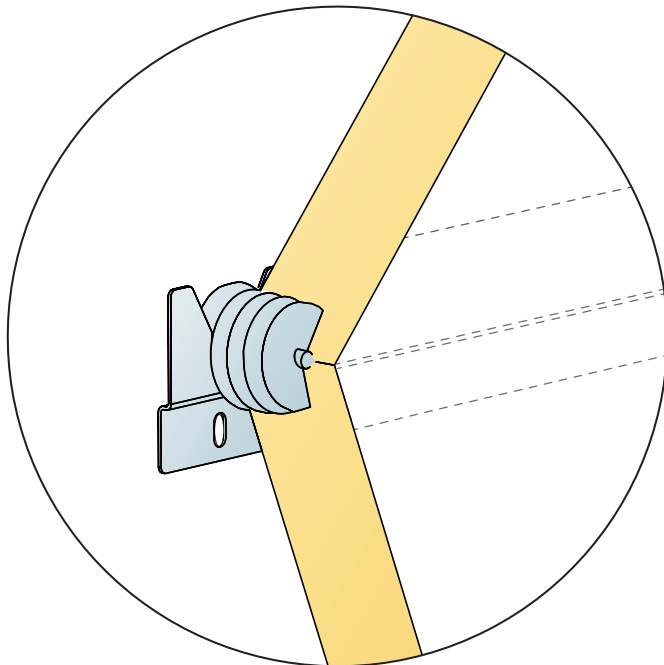


Installation guide: Akusto One SQ



Connect™ One Hook

Go to page 3

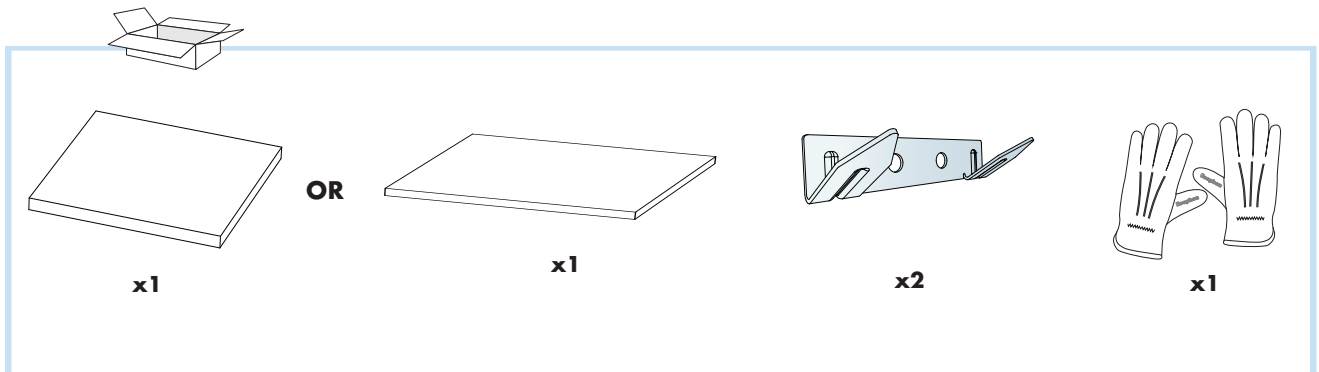


Connect™ One Trim

Go to page 5

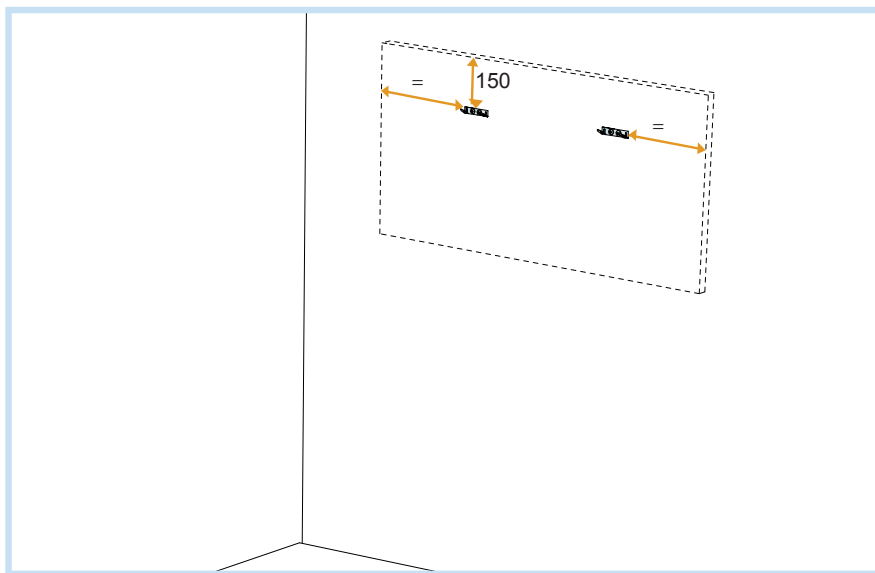
Akusto™ One

Connect™ One Hook

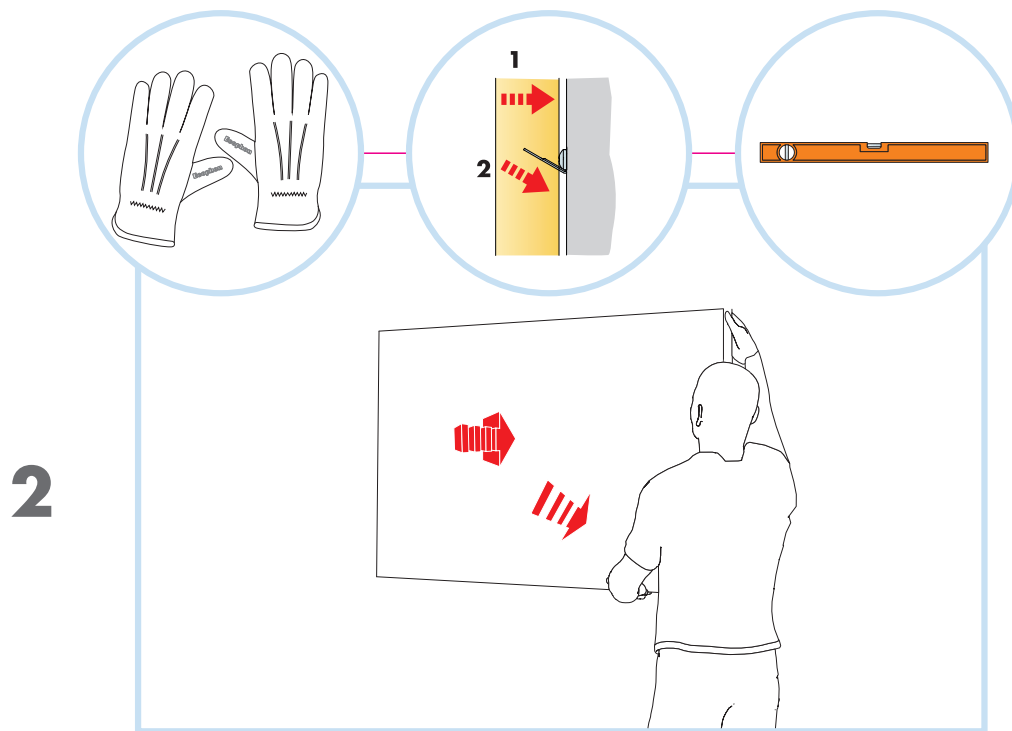


Use gloves provided throughout when holding the tiles

1



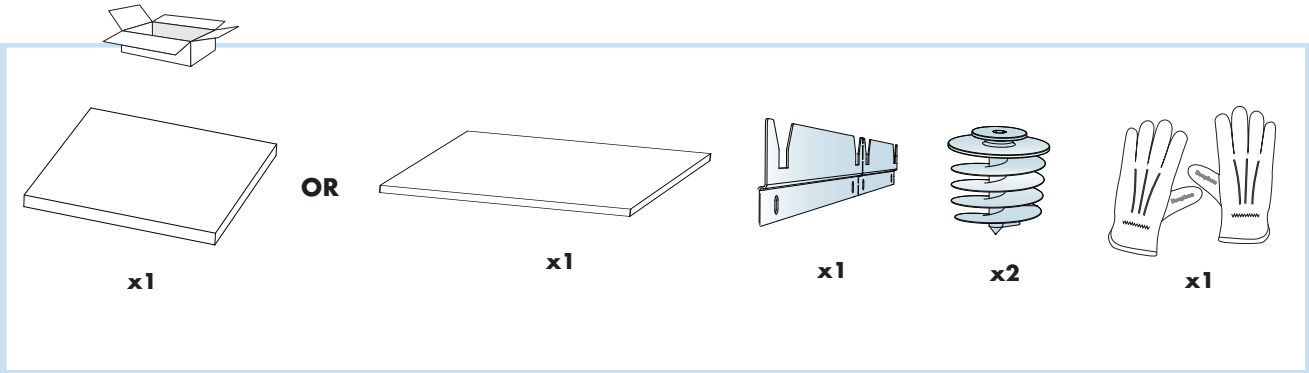
Screw the Connect™ One hooks on to the wall at the desired height, ideally 150mm from the top of the panel. Make sure they are evenly spaced and central to the panel. Please use appropriate screw fixings - not included.



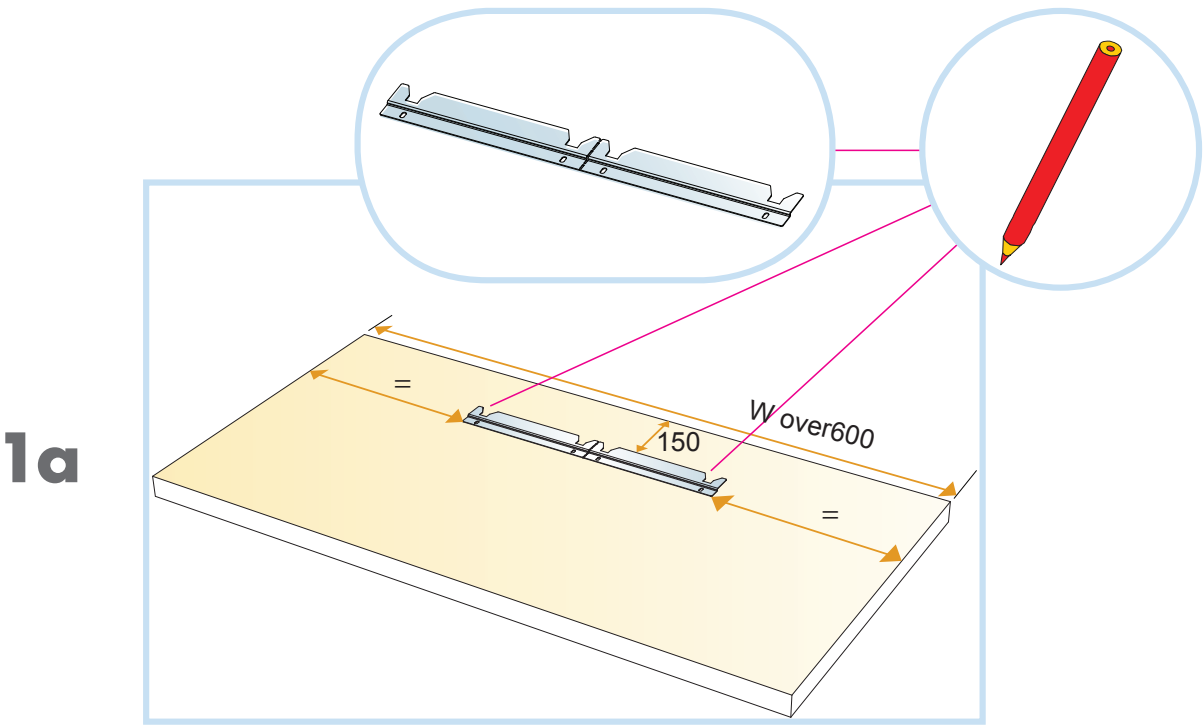
Carefully push the tile onto the One Hook fixings which are now fixed to the wall. Use gloves provided to handle the tile.

Akusto™ One

Connect™ One Trim



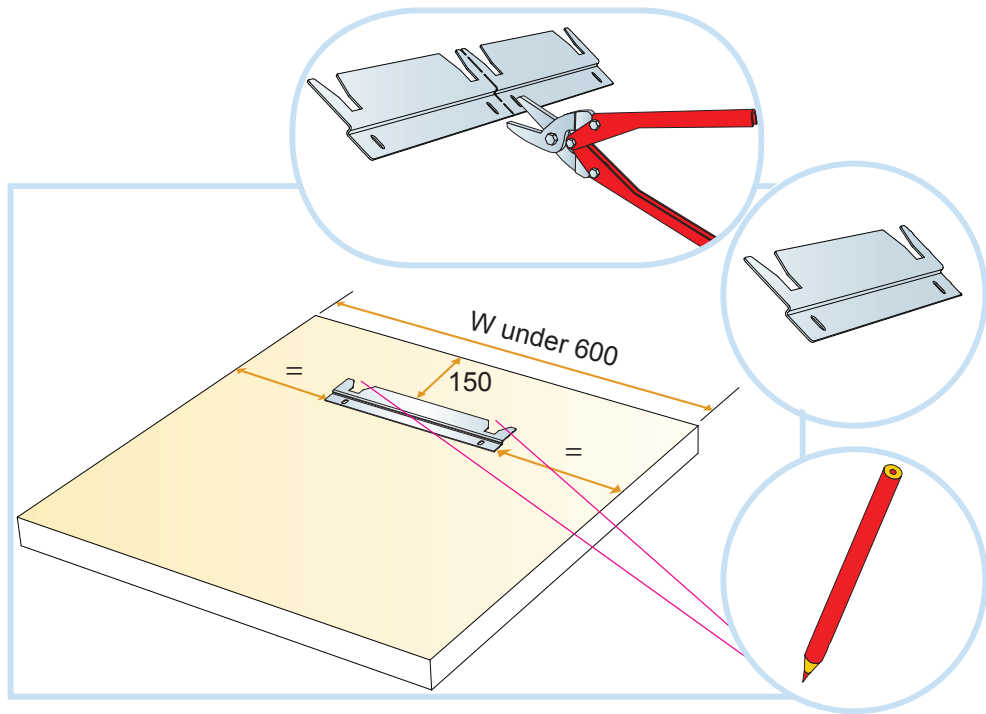
Use gloves provided throughout when holding the tiles



Akusto One Rectangle

Centre the Connect™ One Trim 150mm down from the top edge of the Akusto™ One tile. Mark measurements as shown in 1a this is where the anchors will be placed.

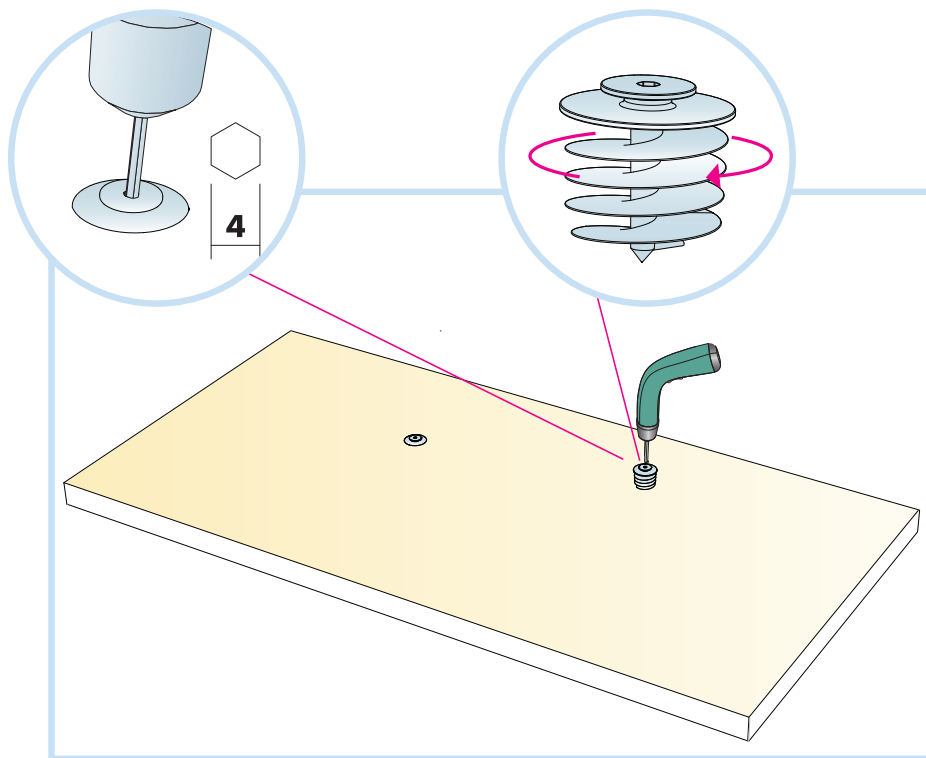
1b



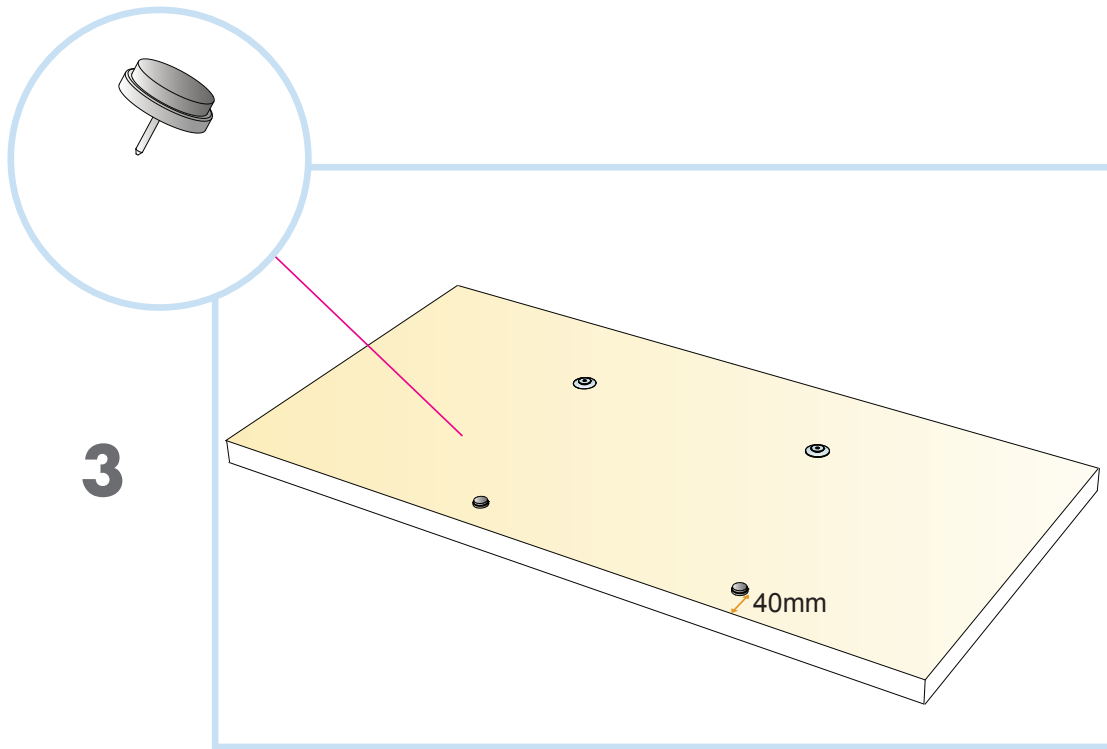
Akusto One Square

Using wire cutters, cut the Connect™ One Trim in half, centre the Connect™ One Trim 150mm down from the top edge of the Akusto™ One tile. Mark measurements as shown in 1b this is where the anchors will be placed.

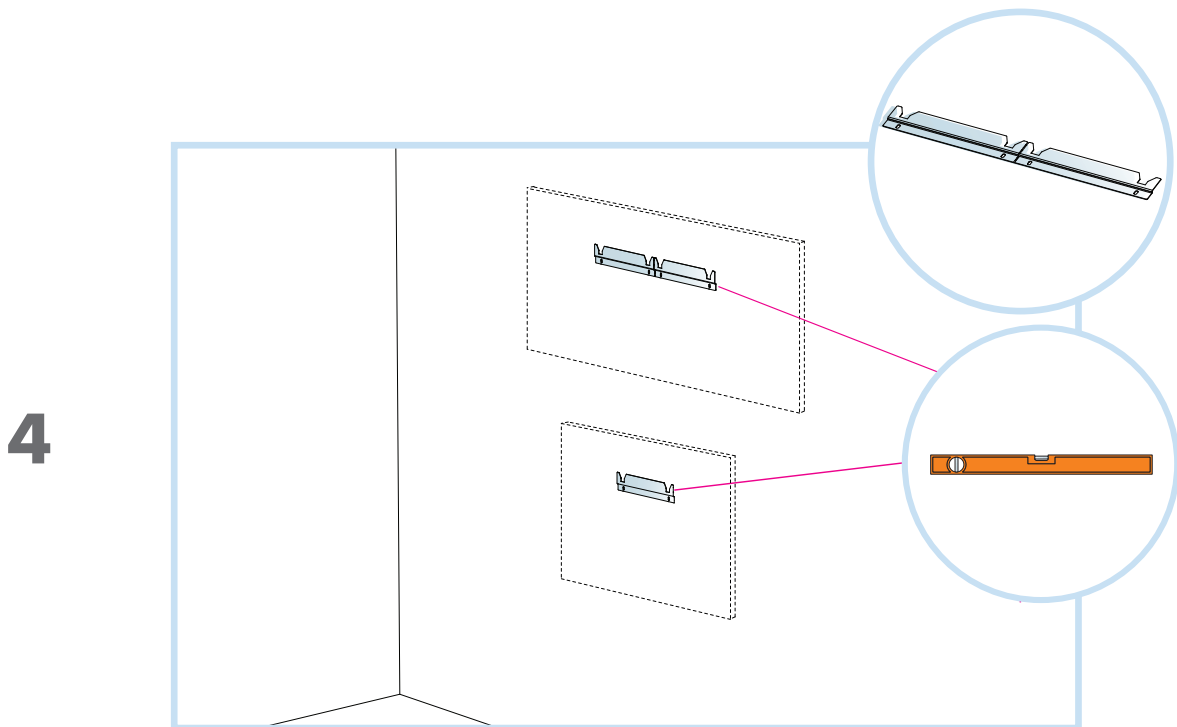
2



Using a 4mm hexagon screwdriver, screw the absorber anchor into your marked area from previous diagram 1b.

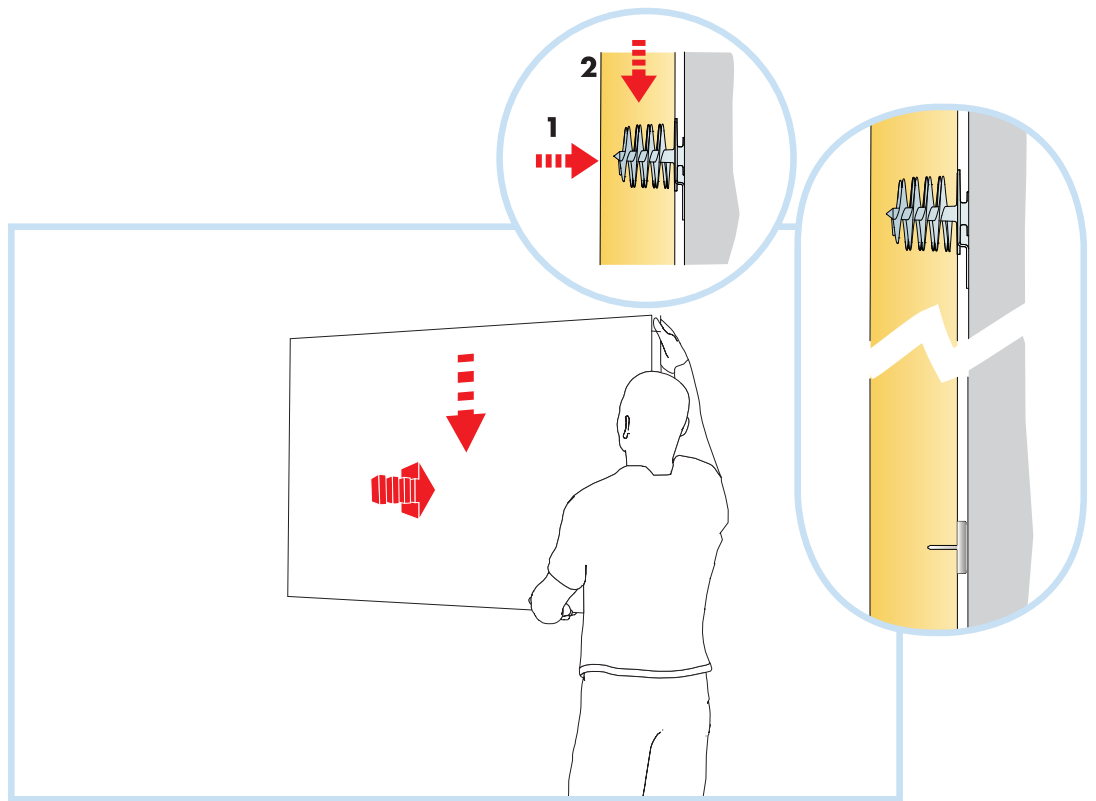


Keeping in line with the anchors, push the wall spacers into the panel 40mm from the bottom. Wall spacers are used to maintain a consistent gap between the wall and the panel.



Fix One Trim to wall, 170mm below where the top of the panel is desired. Please use appropriate screw/wall fixings - not included.

5



Wearing Gloves, lift the panel above the trim and slide down until the anchor has engaged into the groove of the Trim