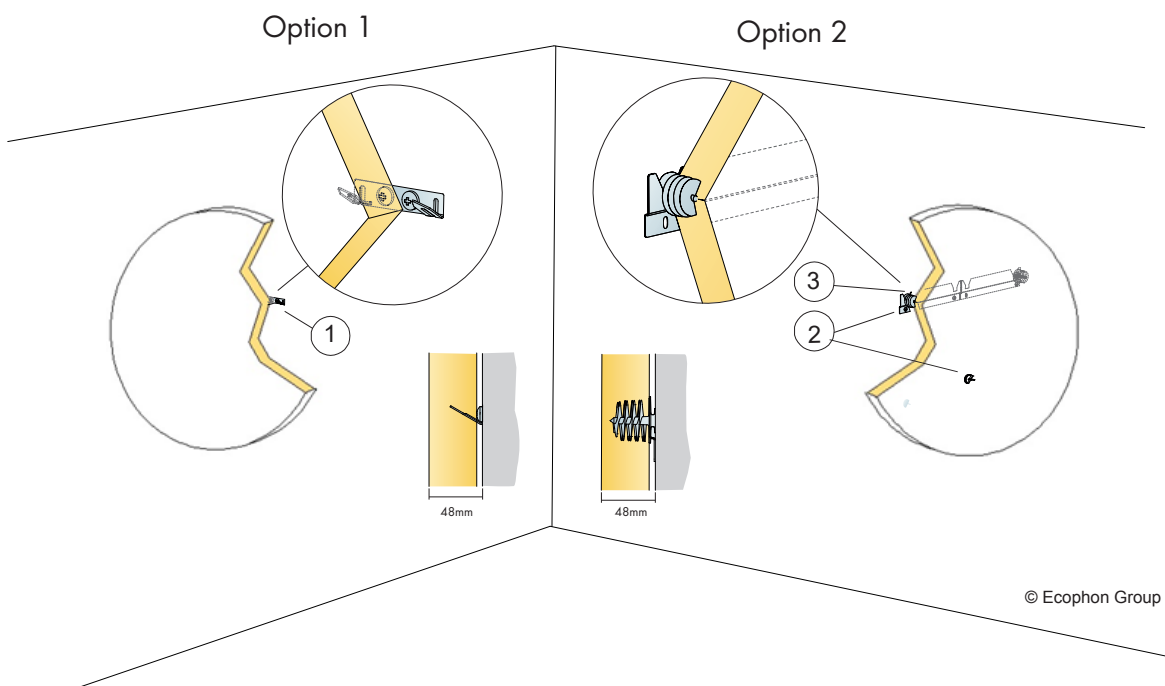


THAT **Sounds Better**

Ecophon Akusto™

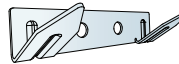
One Circle

Ø800
Ø600



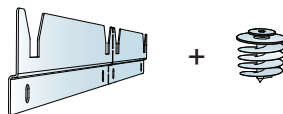
Option 1

1. Connect™ One hook fixing

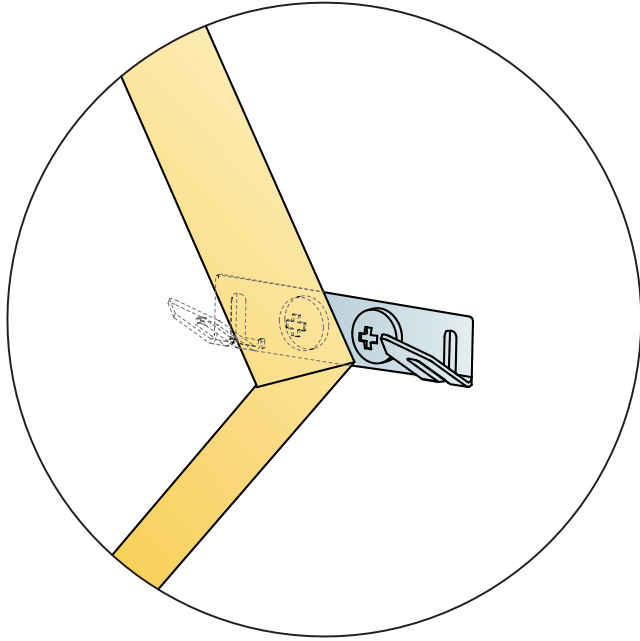


Option 2

2. Connect™ One trim with
3. Connect™ Absorber anchor one

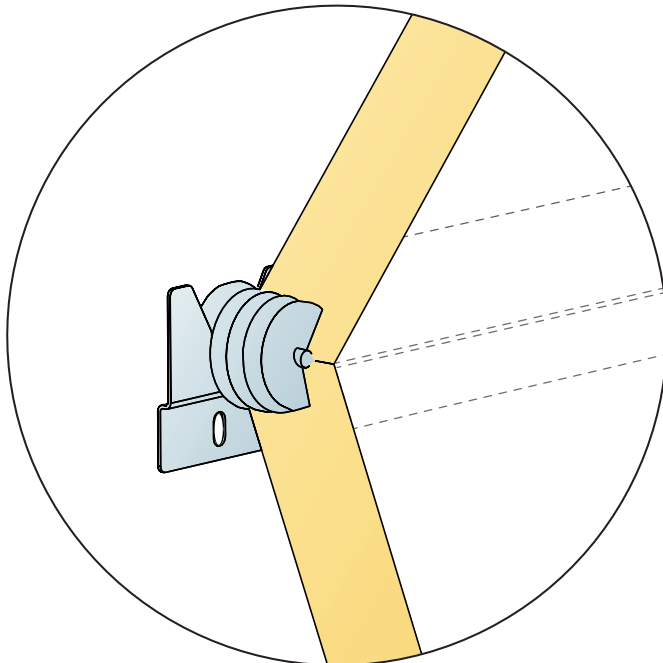


Installation guide: Akusto One Circle



Connect™ One Hook

Go to page 3

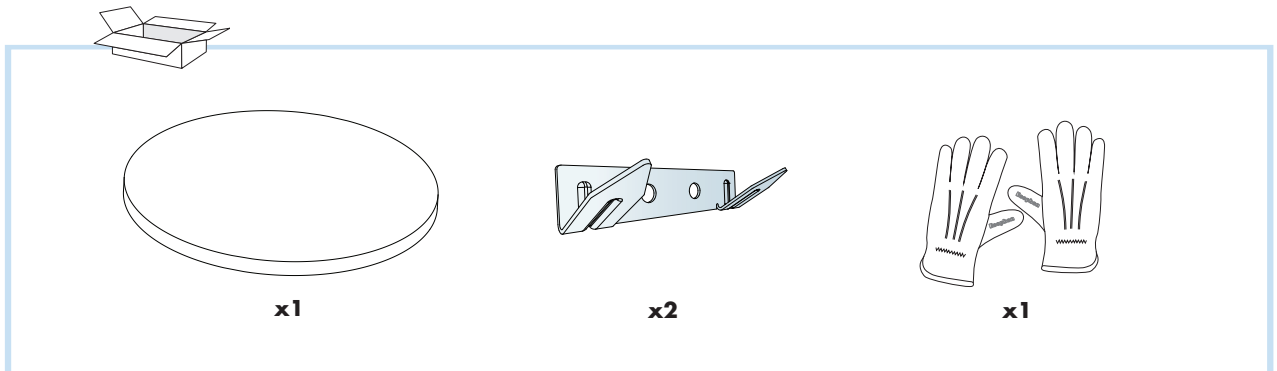


Connect™ One Trim

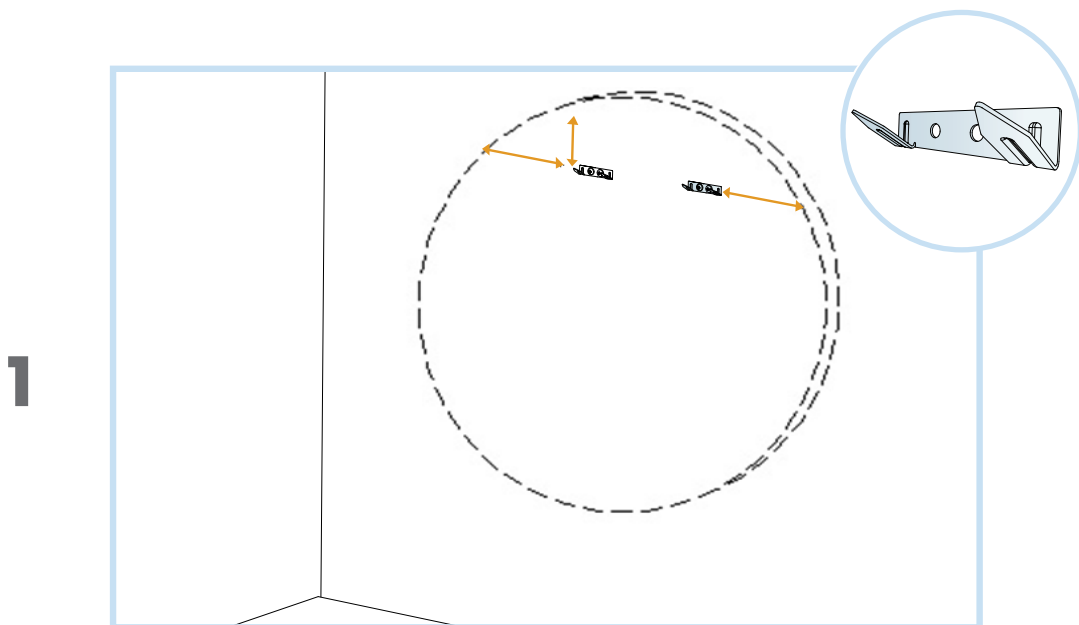
Go to page 5

Akusto™ One

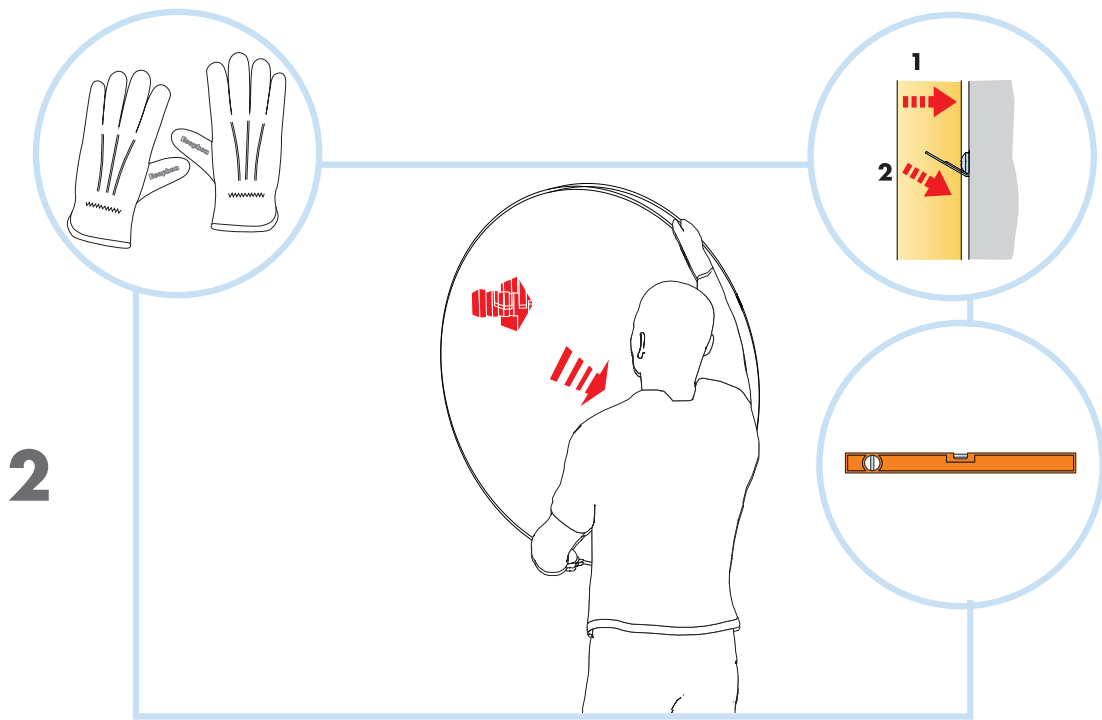
Connect™ One Hook



Use gloves provided throughout when holding the tiles



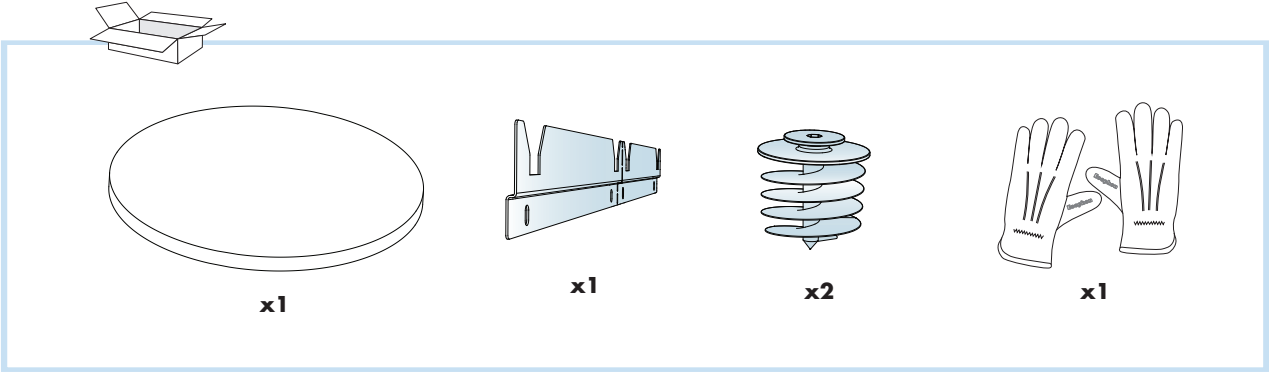
Screw the Connect™ One hooks on to the wall at the desired height, ideally 150mm from the top of the panel.
Make sure they are evenly spaced and central to the panel.
Please use appropriate screw fixings - not included.



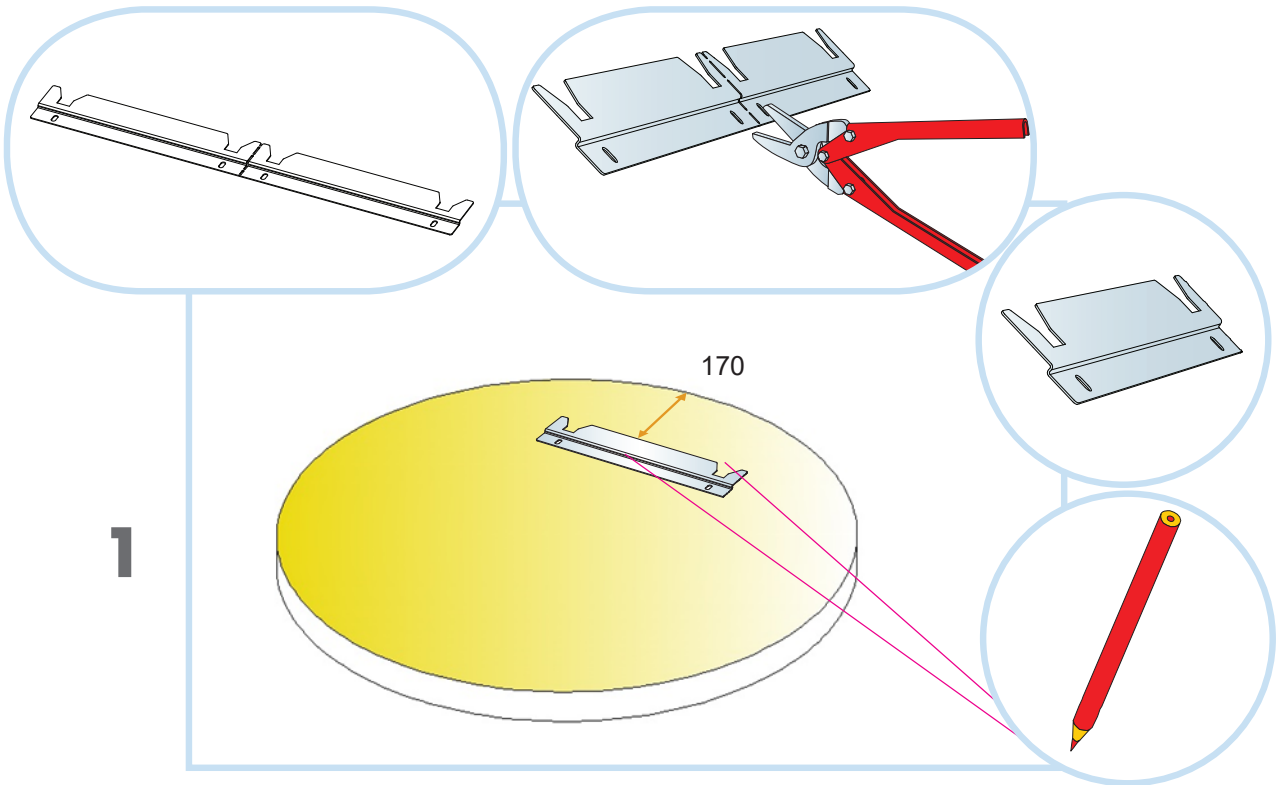
Carefully push the tile onto the Connect™ One Hook fixings which are now fixed to the wall. Use gloves provided to handle the tile.

Akusto™ One

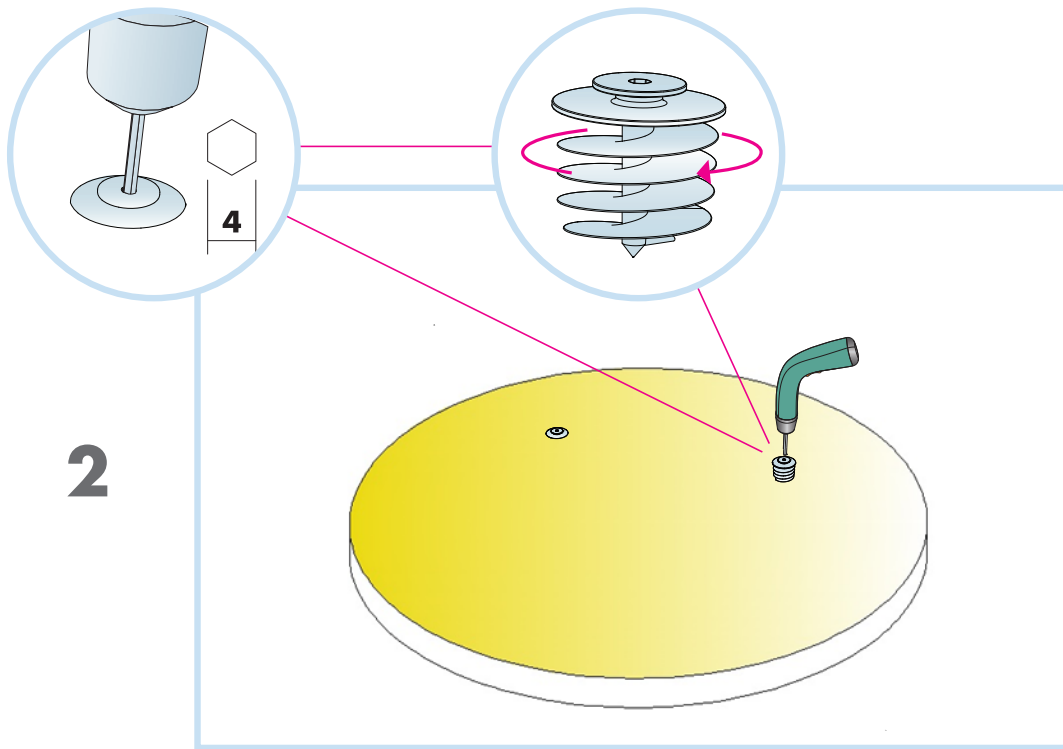
Connect™ One Trim



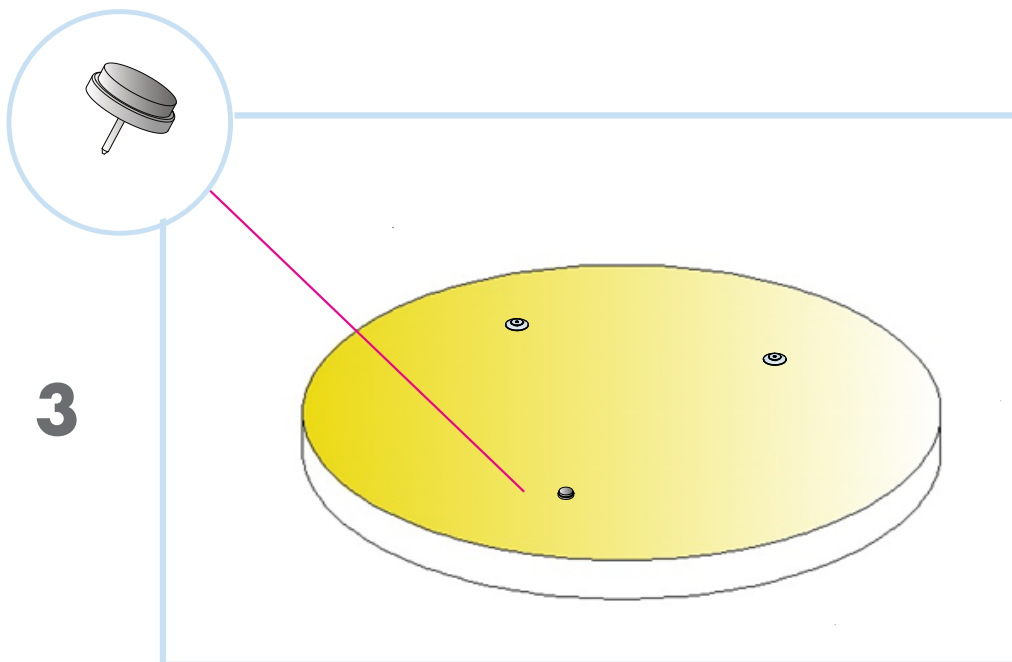
Use gloves provided throughout when holding the tiles



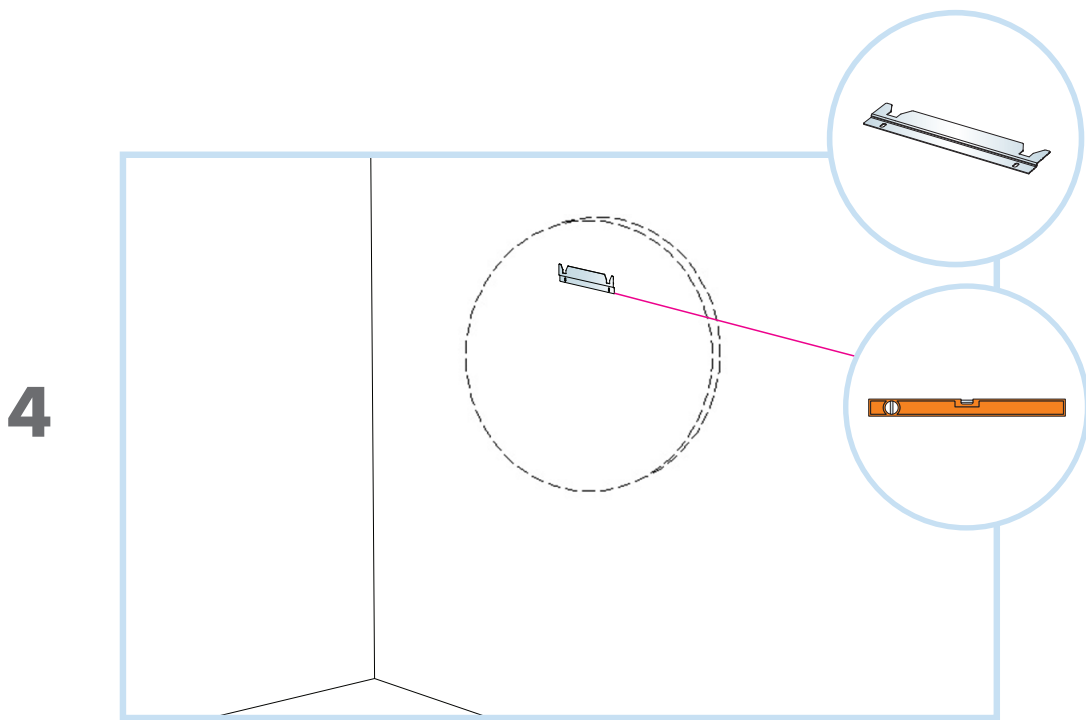
Centre the Connect™ One Trim 170mm down from the top edge of the Akusto™ One tile. Mark measurements as shown in 1 where the anchors will be placed.



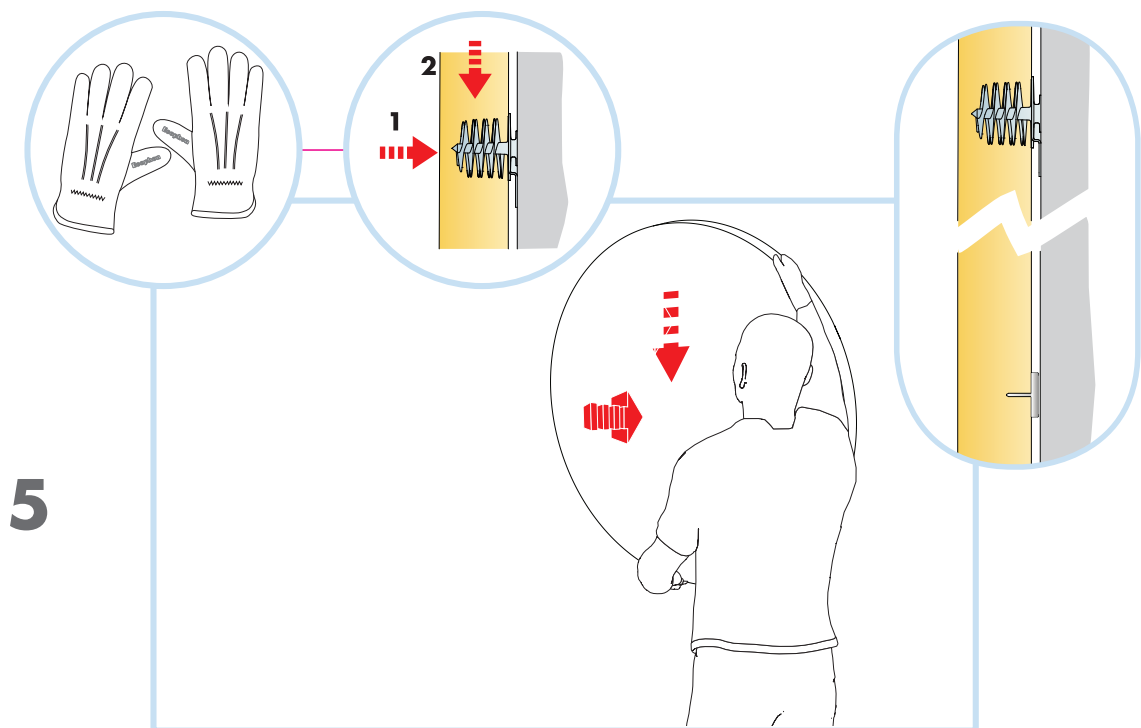
Using a hex attachment on a drill or an allen key, screw the absorber anchor into your marked area from previous diagram 1.



Wall Spacers are used to keep the gap between the panel and the wall even. Press into the panel around 100mm up from the lowest point.



Fix One Trim to wall, 170mm below where the top of the circle is desired. Please use appropriate screw/wall fixings - not included.



Wearing Gloves, lift the panel above the trim and slide down until the anchor has engaged into the groove of the Trim