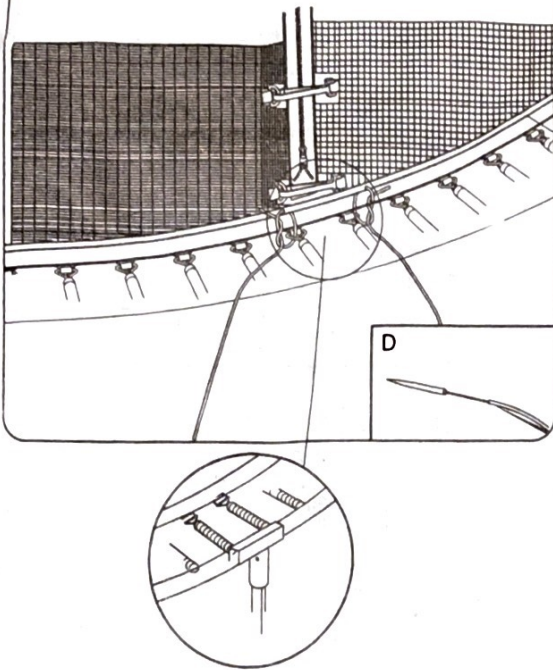


# Owners Manual

## Assembly step 1



First, keep the enclosure door is located in the middle of any arch or two poles, then, Start by threading the cord through the first hole located to the bottom of the right zipper of the net. Once through the first net hole, thread the cord through the closest mat ring. After threaded through both the net hole and mat ring securely attach the cord to the net and mat by tying a knot around them.

Continue on by threading the cord through the next net hole and mat ring until all holes and rings have been threaded. Keep in mind, when moving

from one hole and ring to another hole and ring be sure to properly tighten the cord as you go along,

doing so will keep a correct tension throughout.

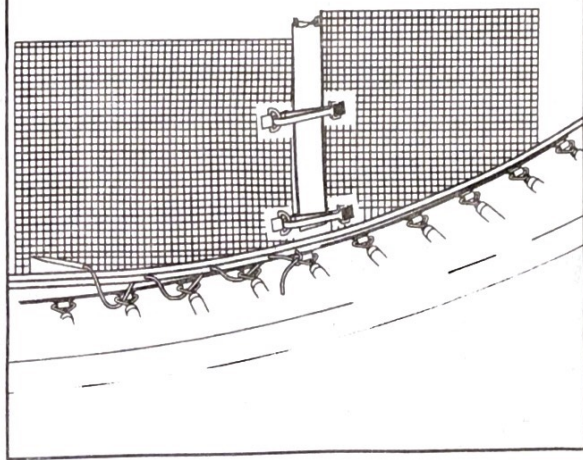
When done threading the cord through all net holes and mat rings tie another knot to secure the cord to the last hole and ring.

When attaching the straps to the arches, start in the middle of any arch. Doing so will place the zipper in the correct position.

Follow Figures A, B, and C to properly attach the net straps to the enclosure arches.

First, pull the strap under and over the arch. Next bring the strap through both strap buckles. Lastly, bring the strap back down through the bottom buckle and tighten

## Assembly step 2

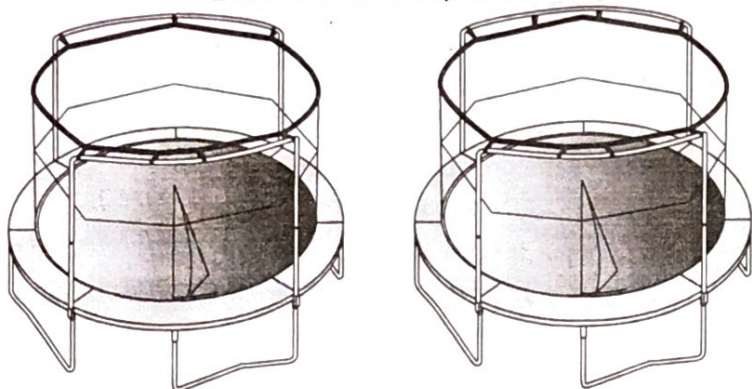


**WARNING:** Failing to securely attach the cord to the net and mat can lead to serious injury. Be sure to tighten the cord as you move along threading the cord through each net hole and mat ring.

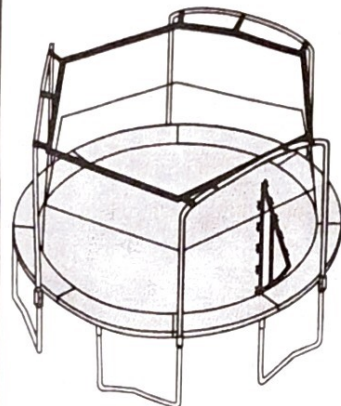
After attaching the corps to the net holes and mat rings, please Strain the net along the vertical direction then prepare to attach the straps to archs or poles, the assembly step as shown:

# Assembly step 3

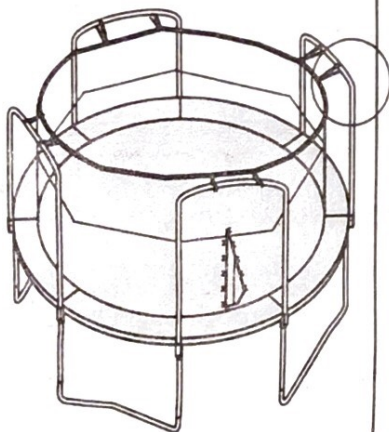
## 2 Arch Enclosure Systems



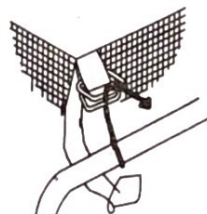
## 3 Arch Enclosure Systems



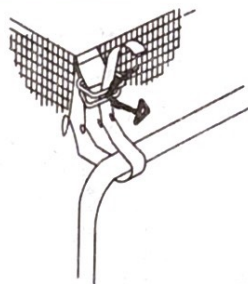
## 4 Arch Enclosure Systems



**A**



**B**



**C**

