

Step 1

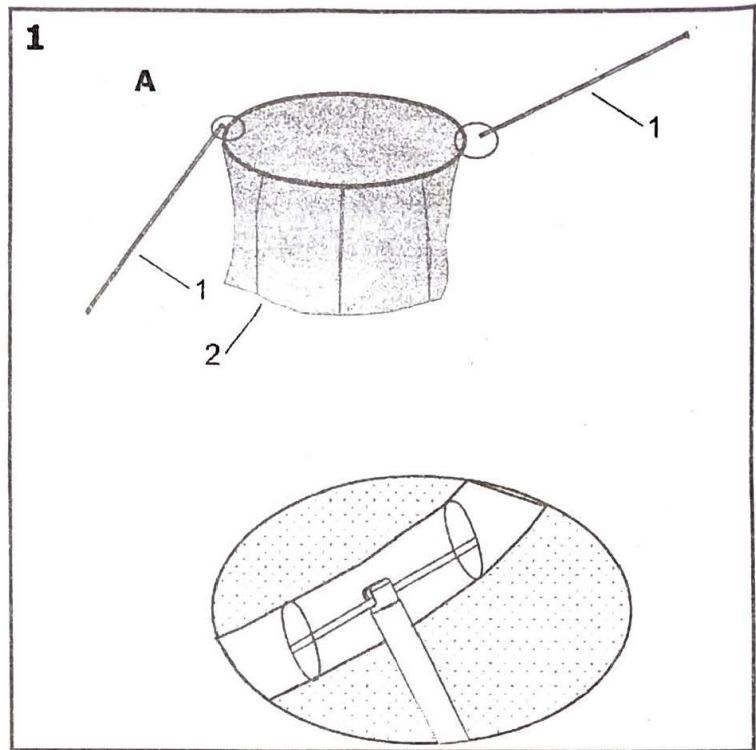
A

Insert all your top Cable wires(1) into sleeve on the top of the enclosure net(2) as shown A.

Notice: Two adults are required when assemble.

Place the Cable Wire with enclosure to the plastic cap. Make sure the cable wire fit into the slot properly.

Repeat for all the cable wire and plastic cap.



Step 2

Notice: During step2, you will "sew" the lower edge of the Netting(2) to the V-rings on the mat using the Cords(3) Locate the V-ring closest to the door. thread one end of a Cord(3) through the lower eage of the netting(2) above the V-ring and then thread the cord through the V-ring. Tie the Netting to the V-ring by making a double knot in the cord.

Thread the cord(3) through the lower edge of the netting(2) half way between the first V-ring and the V-ring to the left. and then thread the cord through the V-ring to the left, Repeat this procedure until the entire cord is threaded through the netting and V-ring as shown. keep the cord taut. Tie the end of the cord to the last V-ring that it reaches. Repeat this process until all the cords are attached.

Tie a second cord(not shown) to the last V-ring reached by the first cord. thread the second cord through the netting(2) and V-ring as described above. Make sure that netting is sewn to every V-ring on the trampoline bed.

