

WARNING

Read the assembly, installation, care, maintenance, and use instructions in this manual prior to assembling and using this equipment. Save this manual for future reference.

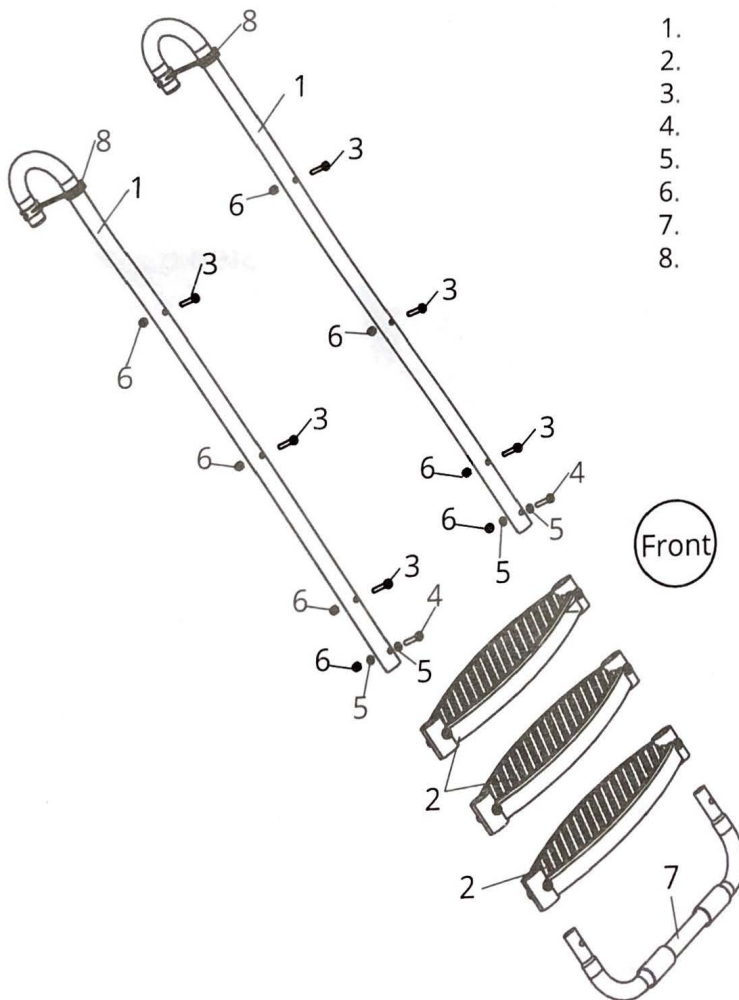
BEFORE YOU BEGIN

Thank you for selecting the Trampoline Pro 3 Step ladder. This accessory, when combined with a properly placed and maintained trampoline and enclosure, will provide many years of safe backyard fun. It allows you to latch it underneath the jump surface and prevent unsupervised access by toddlers and young children. This information must be read by all supervisors and users before any person is allowed to use the ladder. If you have any questions after reading this manual, please call our toll-free Customer Care Hotline at 1-800-473-5867. To help us better assist you, please mention the number of the product when calling. www.trampolinepro.com

CARE AND MAINTENANCE

If your ladder becomes dirty, spray with water to clean. Do not allow use of the ladder until completely dry. Check all hardware before each use. Tighten any bolts and nuts that have become loose and make sure safety latch is secure before allowing use of the trampoline ladder. If you notice any broken parts, put your trampoline ladder away until it can be fixed. The trampoline ladder has a user weight limit of 275 lbs and will accommodate any trampoline frame up to 3".

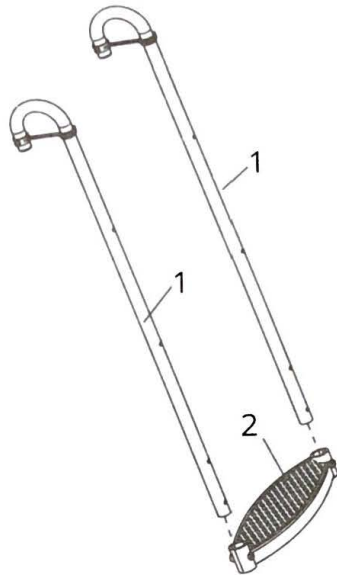
Exploded Parts Drawing



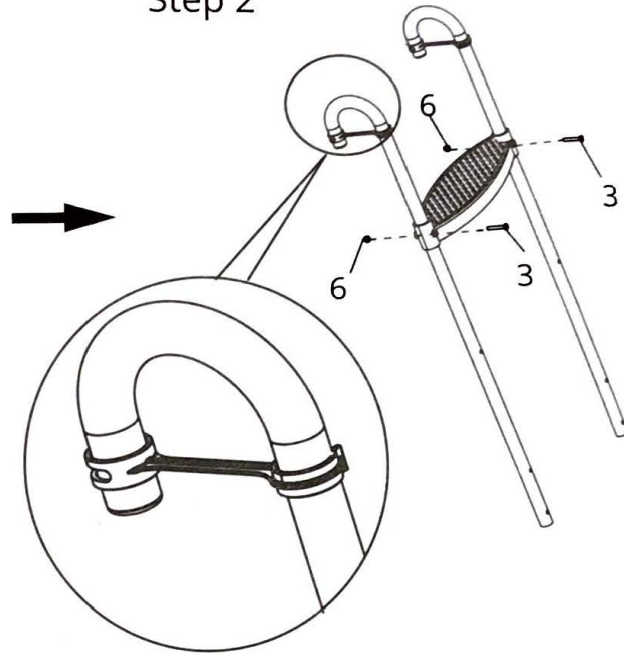
KEY	QTY.	DESCRIPTION
1.	2	Curved Ladder Rails
2.	3	Ladder Step
3.	6	M6X40mm Longer Bolt
4.	2	M6X33mm Shorter Bolt
5.	4	M6 Washer
6.	8	M6 Nut
7.	1	Lower Frame Base
8.	2	Safety Latch

LADDER ASSEMBLY

Step 1



Step 2

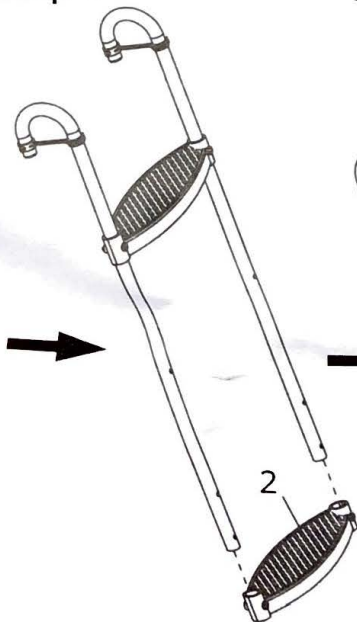


Safety Latch

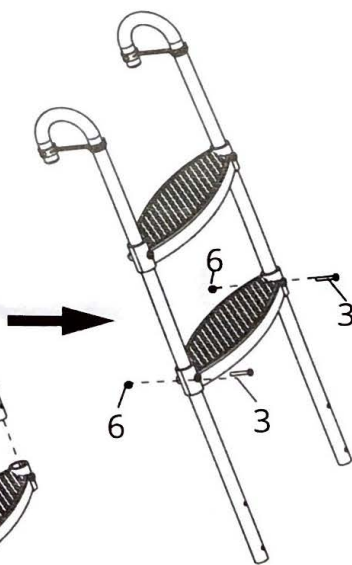
Step 1. Lay the two curved ladder rails on a clear area. Step should be angled toward front of ladder as shown. Insert one ladder step through the bottom leg of each ladder rail. Slide the step up until it matches the top set of holes.

Step 2. Then insert the M6x40 bolts through the ladder step and ladder rail and place the nut in the backside of the ladder step. Tighten the bolts firmly with a Phillips screwdriver.

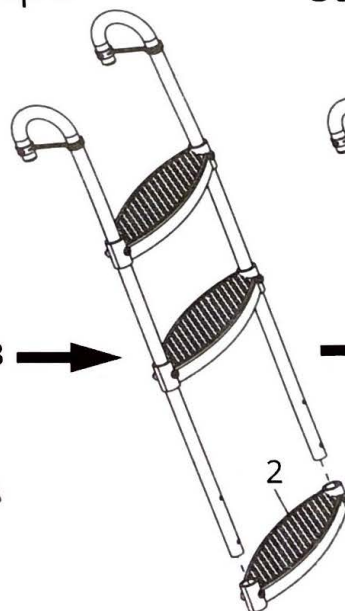
Step 3



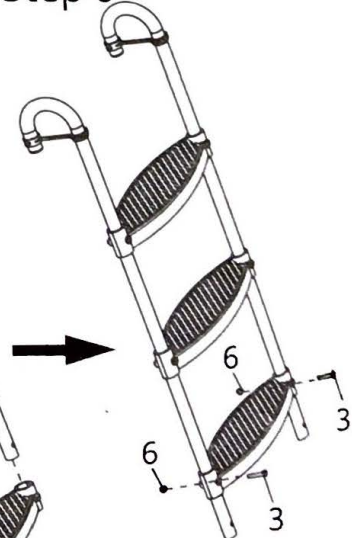
Step 4



Step 5

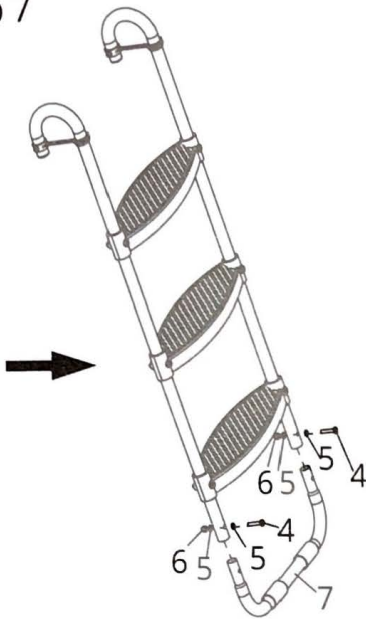


Step 6

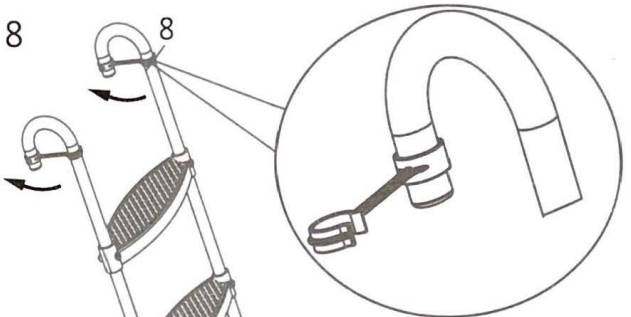


Step 3 to Step 6. Repeat step 1 and step 2 to assemble the second and the third ladder steps.

Step 7



Step 8

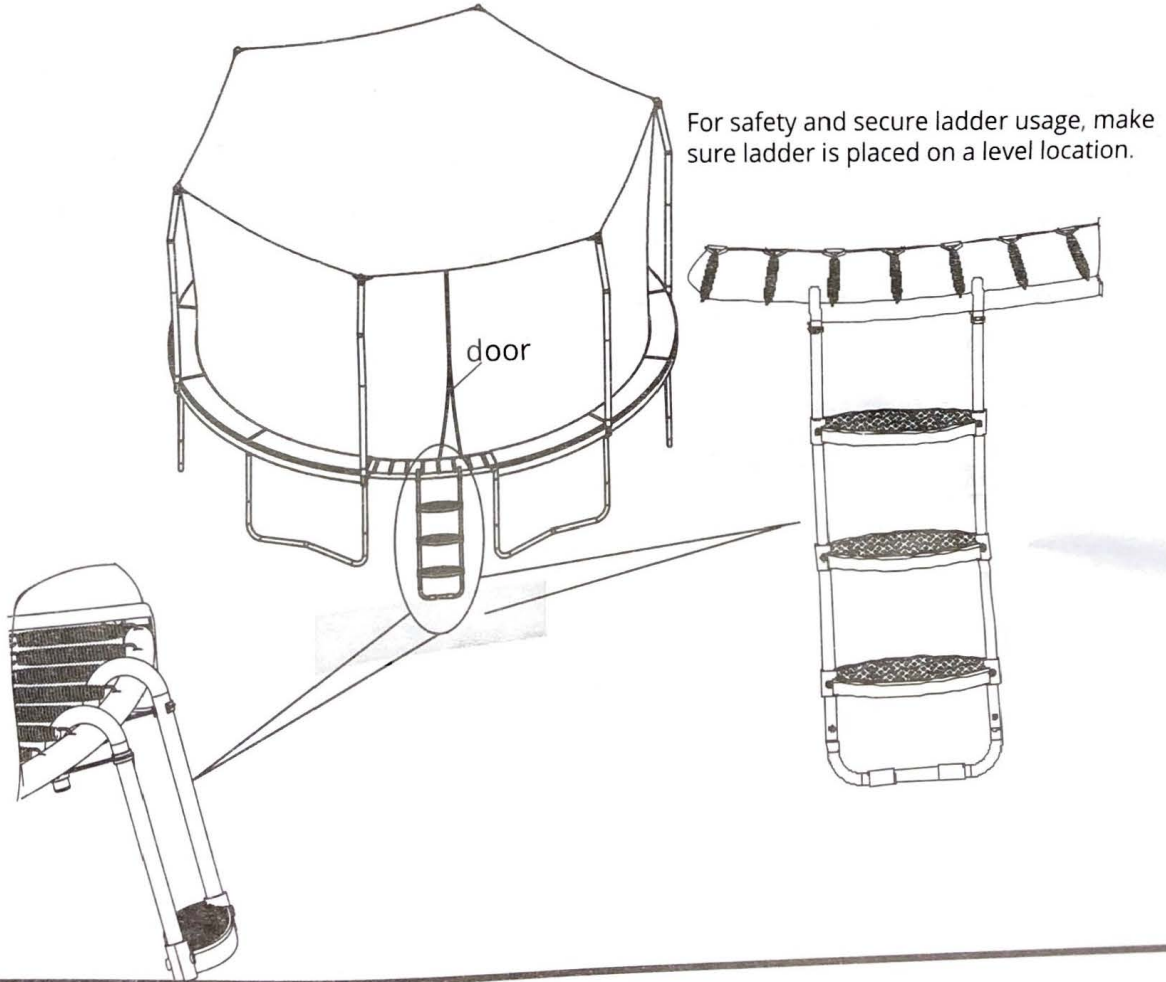


Open Safety Latch

Step 7. Now that the steps of the ladder are assembled, insert the lower frame base onto the ladder rails. Match up the bolt holes and insert the M6x33 bolt with a washer on the backside of rails. Secure with a M6 nut.

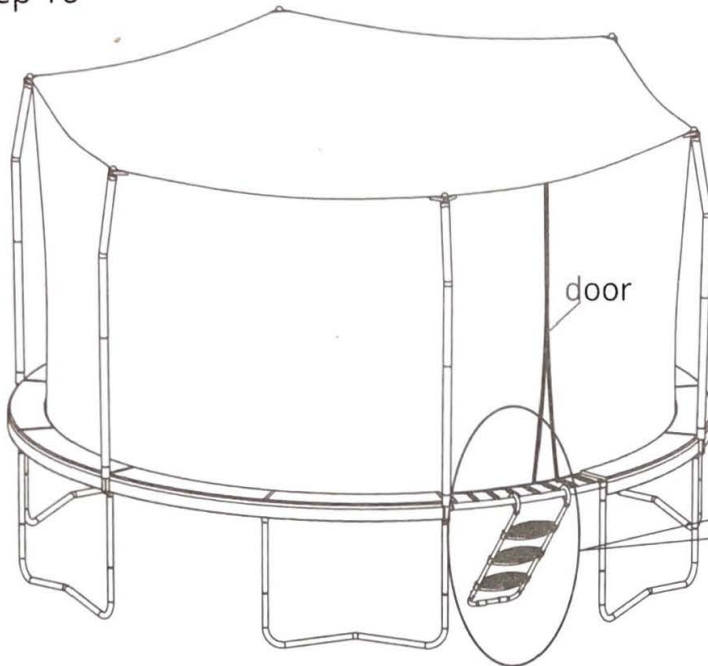
Step 8. Open safety latch and secure to the trampoline rail.

Step 9



For safety and secure ladder usage, make sure ladder is placed on a level location.

Step 10



The Versatile Trampoline Pro 3 step ladder with unique safety latch allows you to store the ladder underneath the trampoline minimizing risk and injury when not in use. Keep it fun, keep it safe.

Safety Latch Feature

The upgraded Trampoline Pro 3 step ladder includes a safety latch to secure the ladder for more stability and safety entering and exiting the trampoline. Additionally, the ladder can be stored underneath the trampoline. This versatility allows more open space around the trampoline which can prevent unwanted injuries when not in use.

1. For ladder use, simply open safety latch and hook both sides of ladder over trampoline rail. Now swing latch and securely snap around ladder rail on both sides.
2. To store ladder underneath trampoline, swing open safety latch and position the ladder underneath trampoline and secure safety latch again on ladder rails (step #10 illustration).

The Trampoline Pro 3 step ladder with unique and useful safety latch will provide greater comfort and security to many fun-filled trampoline activities. Focused on customer care, we added this feature to improve safety and security while giving you the flexibility of more valuable space around the trampoline.

Manufacturer's Warranty

Outdoor Product Technologies, Inc. (www.trampolinepro.com)

1. Owner of the product has a 90 day warranty from date of purchase.
2. This warranty applies only to manufacturers defects of the products materials or construction.
3. This warranty becomes void if: The product is used incorrectly or if the product is used in a way that is out the scope of use intended by its design. The product is not assembled and/or not maintained according to the instruction booklet. Aftermarket parts are installed or if the product is altered/ modified from its original design. Defects are a result of climatic influences such as corrosion, UV rays, humidity or otherwise normal disintegration.
4. This warranty covers damage or failure that occurs during the course of NORMAL and INTENDED USE of the product. NOT COVERED is damage due to weather or Acts of God, improper storage, negligence, user hanging, vandalism, non-trampoline activities or any other activity that could be regarded as abusive.
5. This warranty is non-assignable and non-transferable.
6. Contact Customer Service at (800) 473-5867 for further instruction on how to return the product to Trampoline Pro under the warranty program.