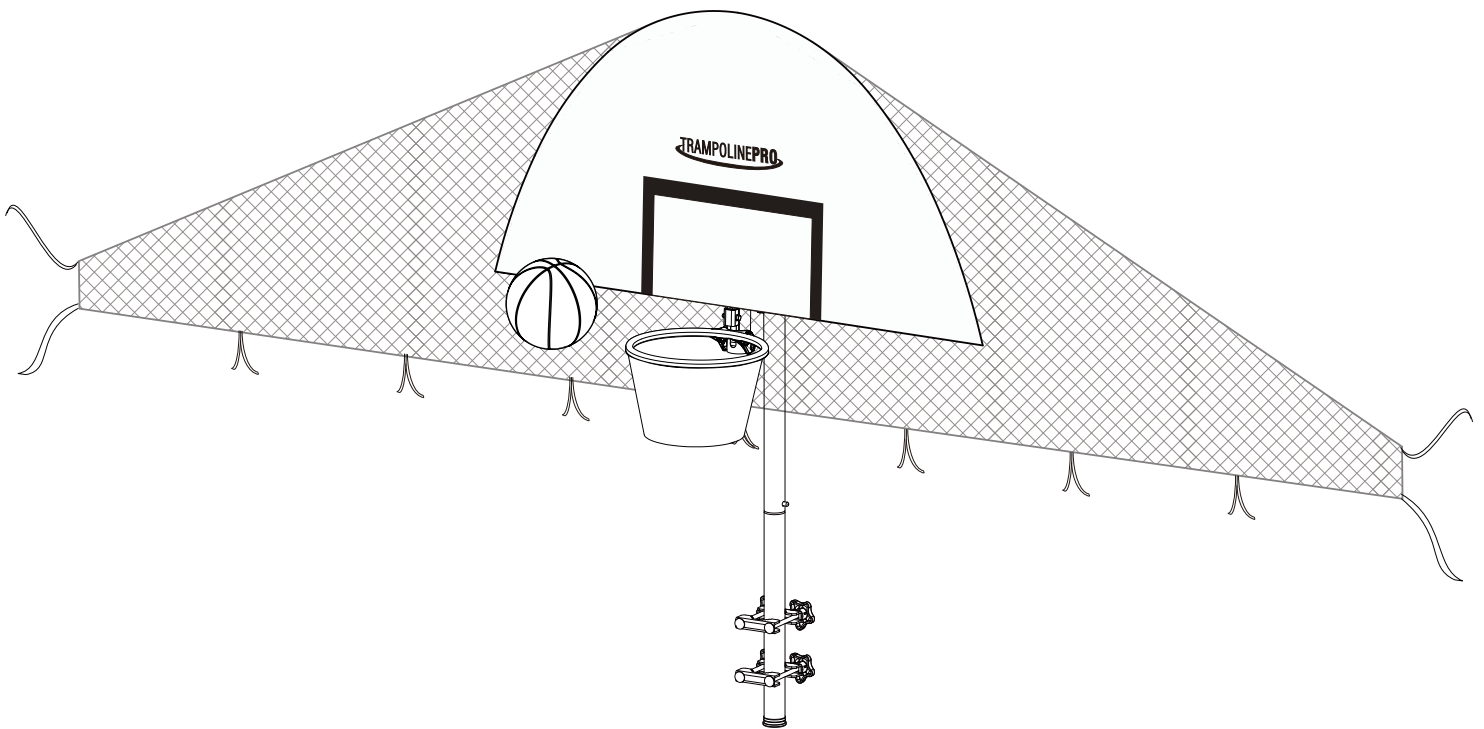


# JUMP SLAMMER

TRAMPOLINEPRO.COM



CE

  
**WARNING**  
CHOKING HAZARD  
small parts  
Adult assembly required  
retain for future reference



[www.trampolinepro.com](http://www.trampolinepro.com)

# Warranty

## Manufacturer's Warranty

Outdoor Product Technologies, Inc ([www.trampolinepro.com](http://www.trampolinepro.com))

1. Beginning from the date of purchase, the owner of the product has a 90 day warranty.
2. This warranty applies only to manufacturing defects of the product's materials or construction.
3. This warranty does not apply to: Rim, Netting.
4. This warranty becomes void if: The product is used incorrectly or if the product is used in a way that is outside the scope of intended use by its design. The product is not assembled and/or maintained according to the instruction booklet. Aftermarket parts are installed or if the product is altered/ modified from its original design. Defects are a result of climatic influences such as corrosion, UV rays, exposure to hot, cold temperatures, humidity or otherwise normal disintegration. The product is rented out or was made available to various unspecified persons in any other manner.
5. This warranty covers damage or failure that occurs during the course of NORMAL or INTENDED USE of the product. Normal or intended use shall be described as activity that is necessary for the participation in the sport for which the equipment is designed. NOT COVERED is damage caused by deliberate hanging, multiple player hanging, vandalism, non-basketball activities or any other activity that could be regarded as abusive.
6. To make a warranty claim contact Customer Service at (800) 473-5867 or [customerservice@trampolinepro.com](mailto:customerservice@trampolinepro.com) for further instruction on how to return the product to Trampoline Pro under the warranty program.
7. If Trampoline Pro ascertains that material and/or construction defects of the product or its components have occurred during the warranty period, Trampoline Pro will repair or replace, according to its choice, the product free of charge.
8. If the claim for warranty is not justifiable, all expenses are the responsibility of the owner, including, but not limited to, round-trip shipping costs.
9. This warranty is non-assignable and non-transferable.

# Components / Komponenten / Onderdelen / Composants



1. Flex Rod With Connector ( $\Phi 6$ ) 2PCS



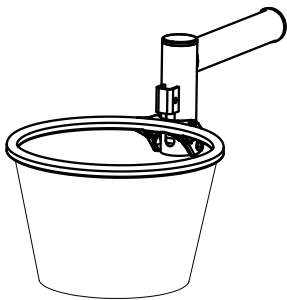
2. Flex Rod Thin ( $\Phi 6$ ) 1 PC



3. Clip Rod ( $\Phi 6$ ) 1PC



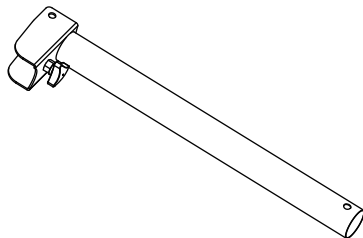
4. Horizontal plate 2 PCS



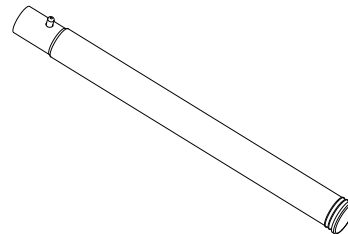
5. Basketball Rim with Net 1PC



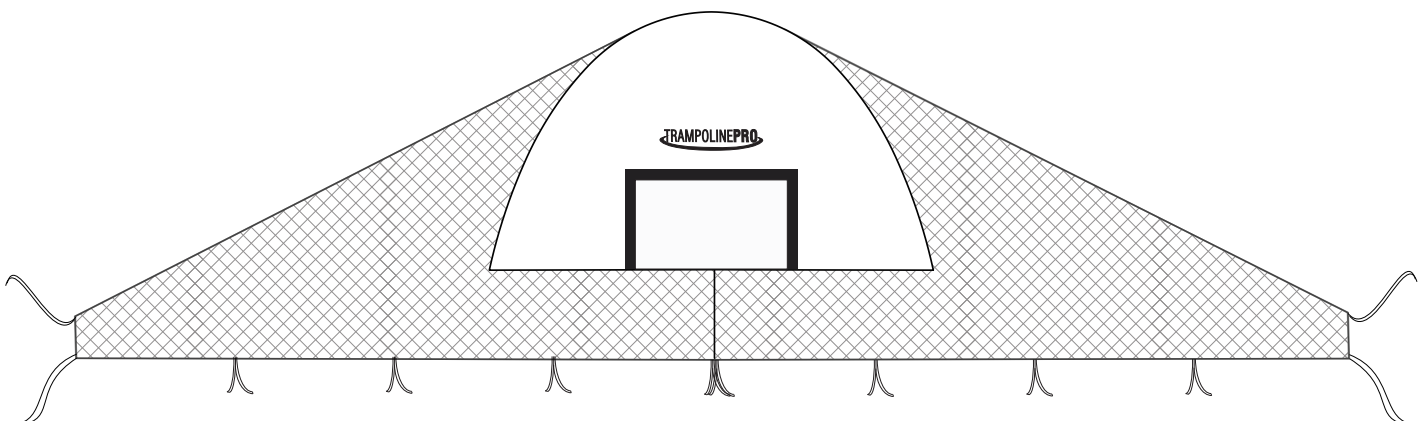
6. Rim Pin 1PC



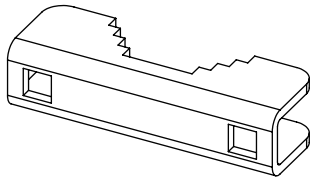
7. Adjust Bracket 1PC



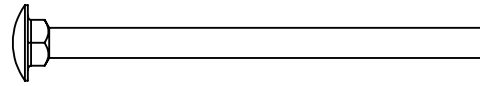
8. Fixed Support 1PC



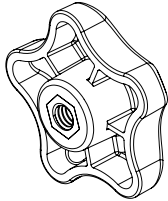
9. Backboard with net 1PC



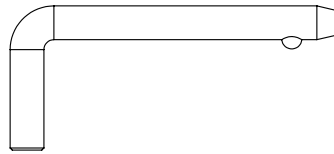
10. Securing Bracket 4PCS



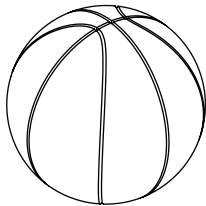
11. M8x110mm Bolt 4PCS



12. Twist Knob 4PCS



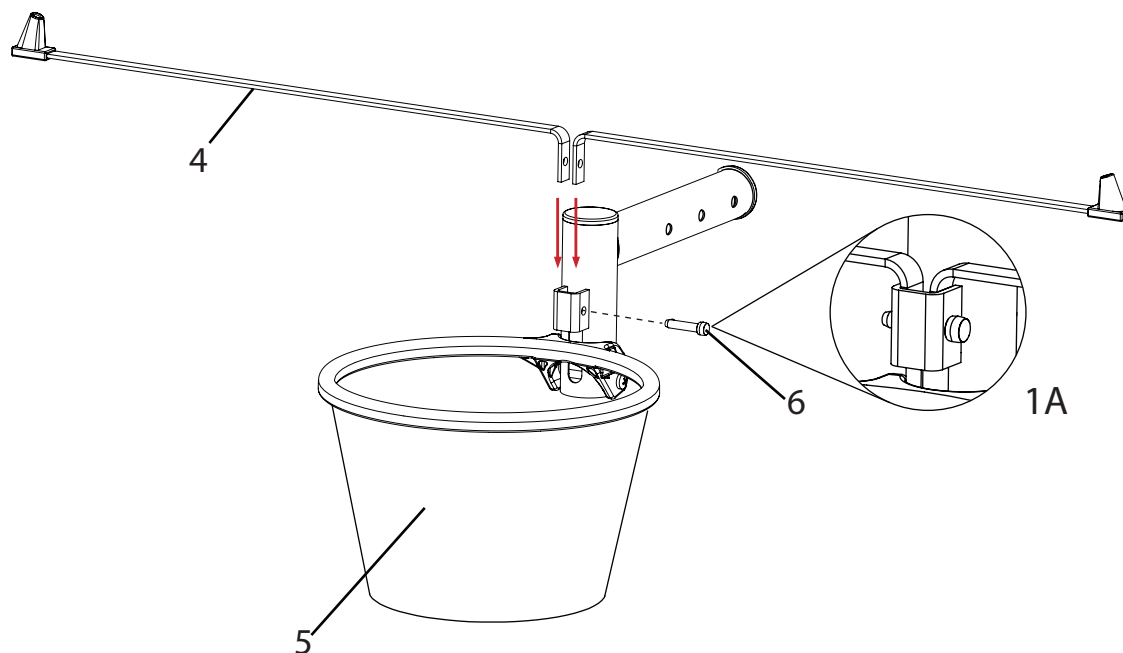
13. Φ8 Adjust Bracket Pin 1PC



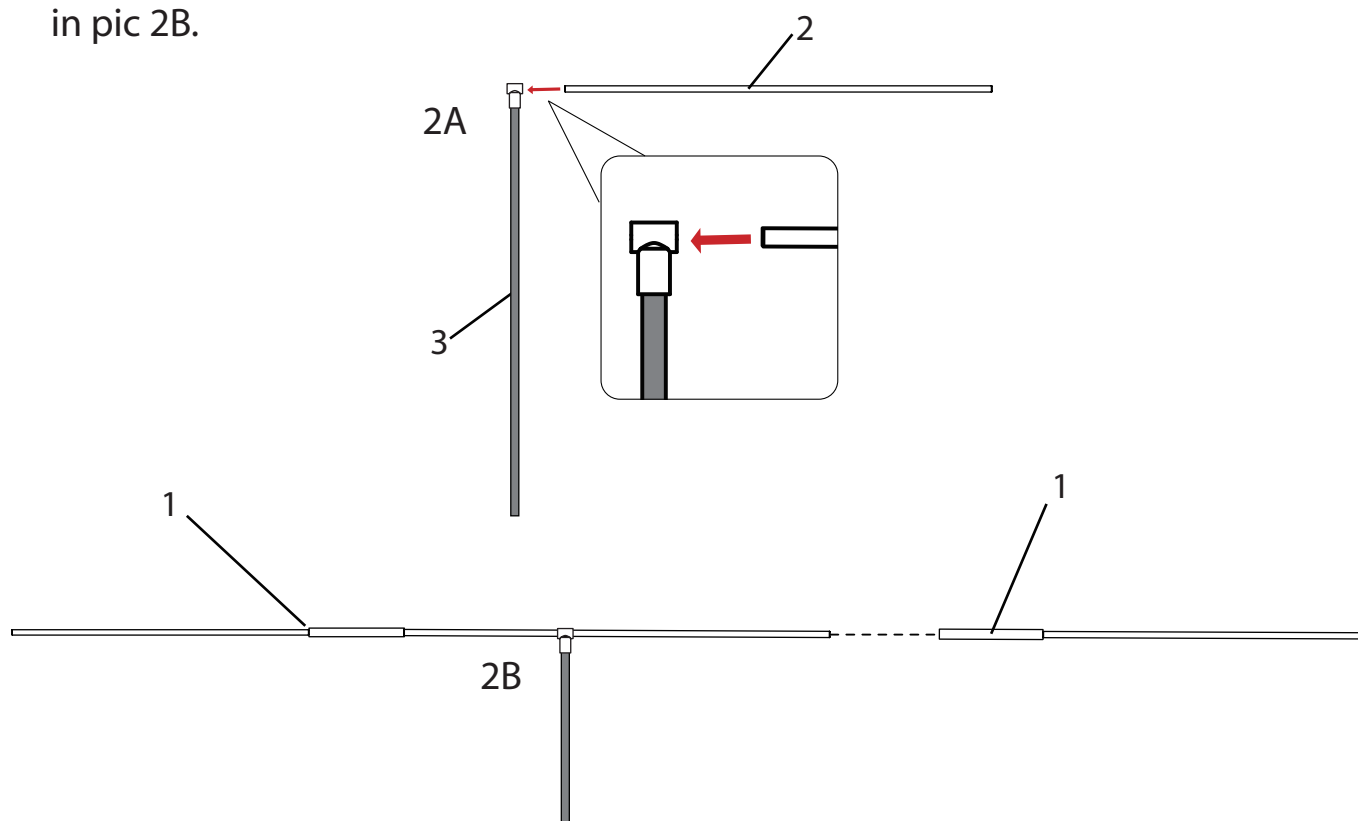
14. Basketball 1PC

## Assembly steps / Montageschritte / Montage / Assemblée

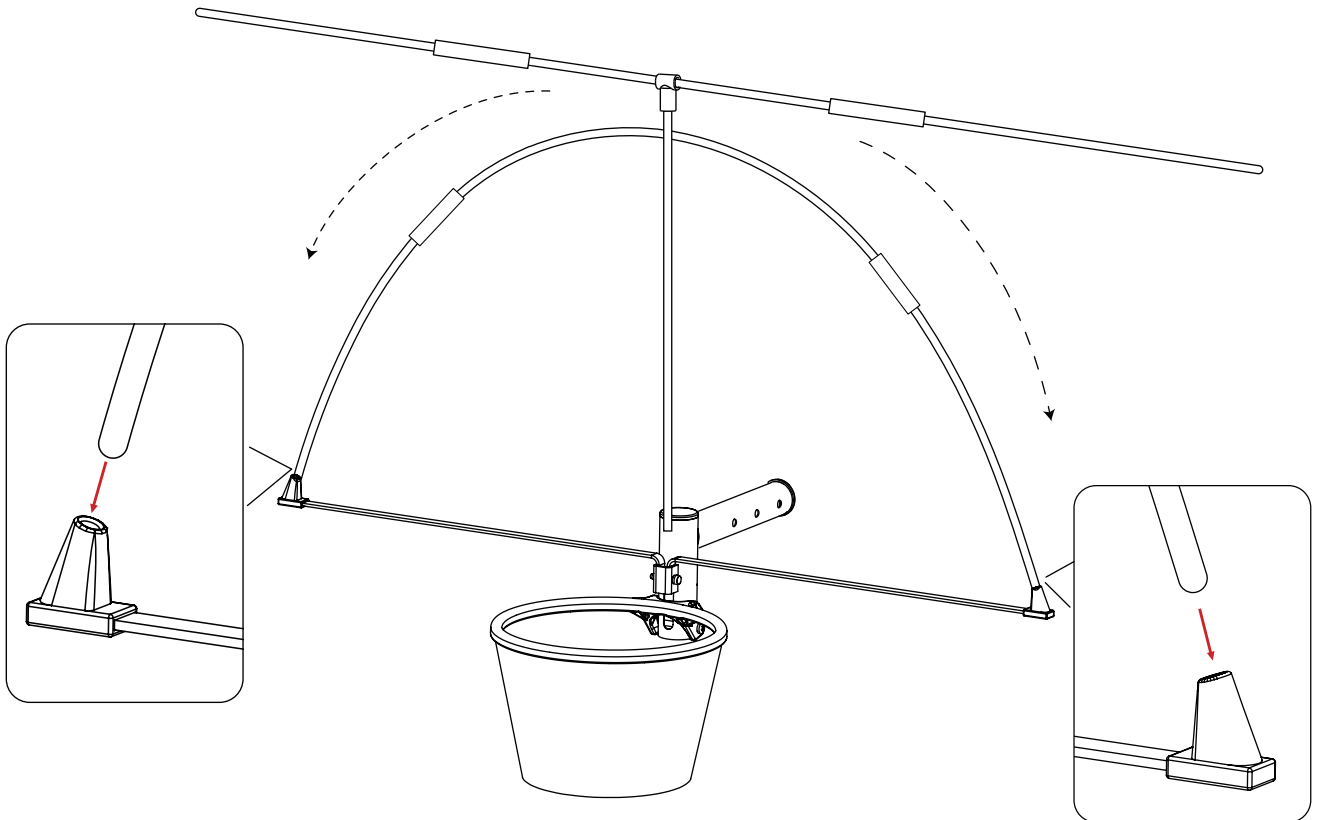
1. Insert the two Horizontal plates (4) into the Basketball bracket with net (5) as shown. Securing with the Rim Pin (6) as shown in 1A.



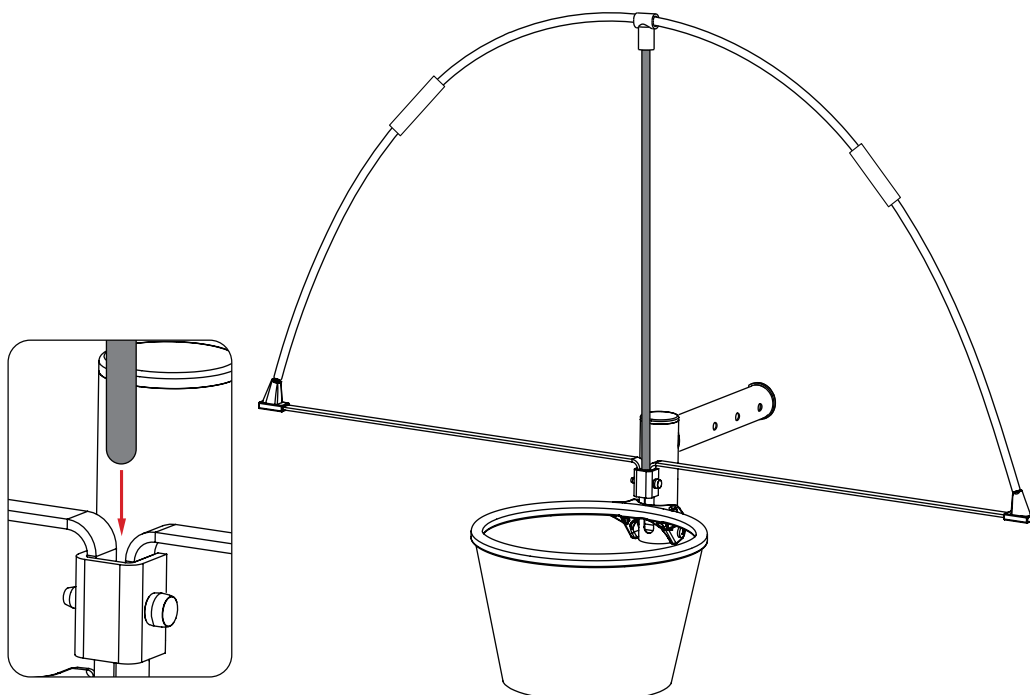
2. Insert Flex Rod Thin (2) into the Clip Rod (3) as shown in Pic 2A. Then connect the Flex Rod with connector (1) onto the left and right of Flex Rod Thin (2) as shown in pic 2B.



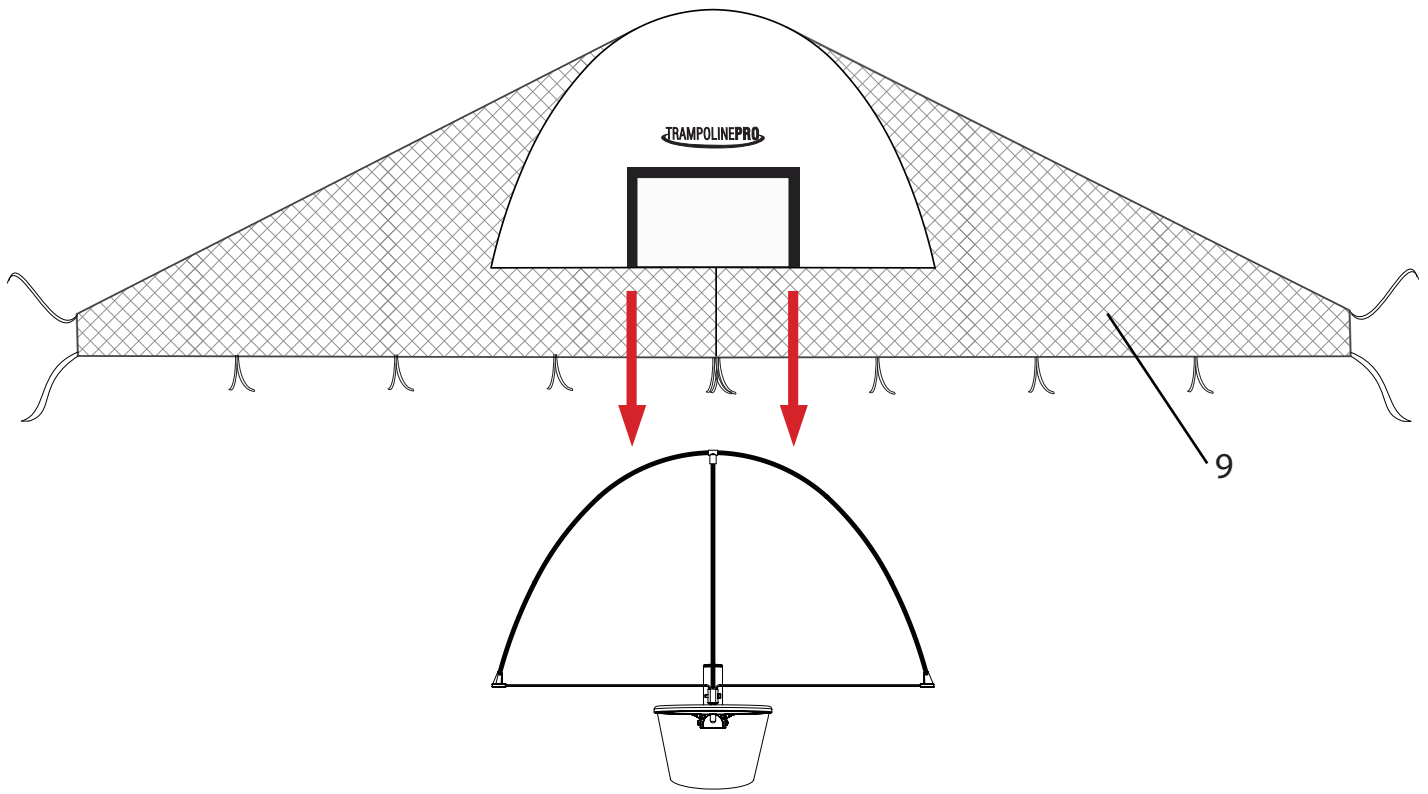
3. Bend the flex rod and insert the rod ends into the Horizontal plates (4) as shown.



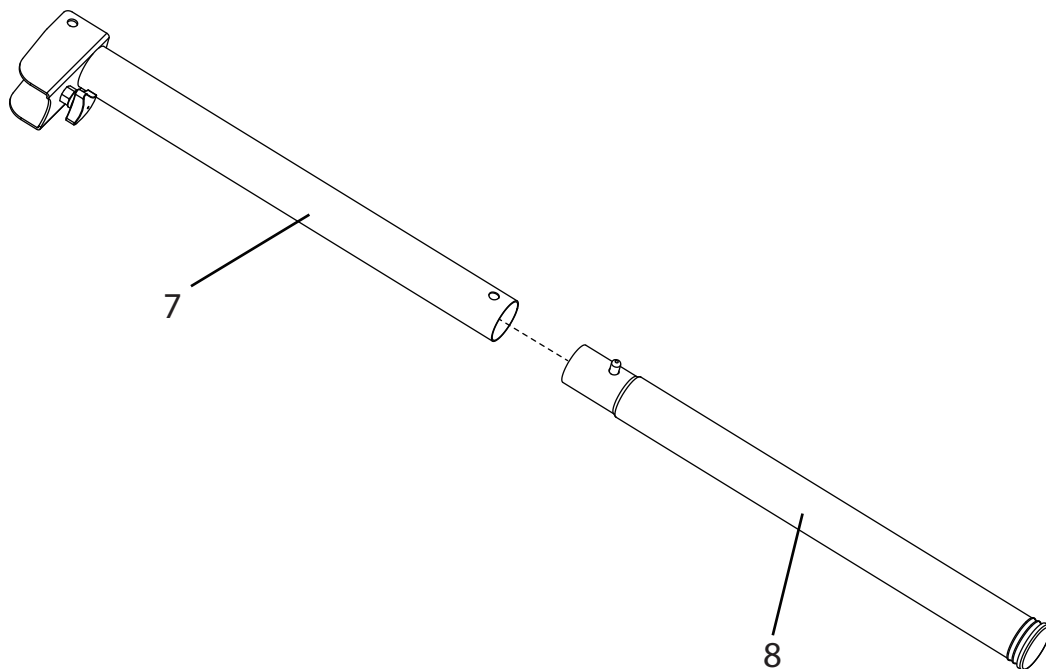
4. Insert the Clip Rod (3) end into the tube as shown.



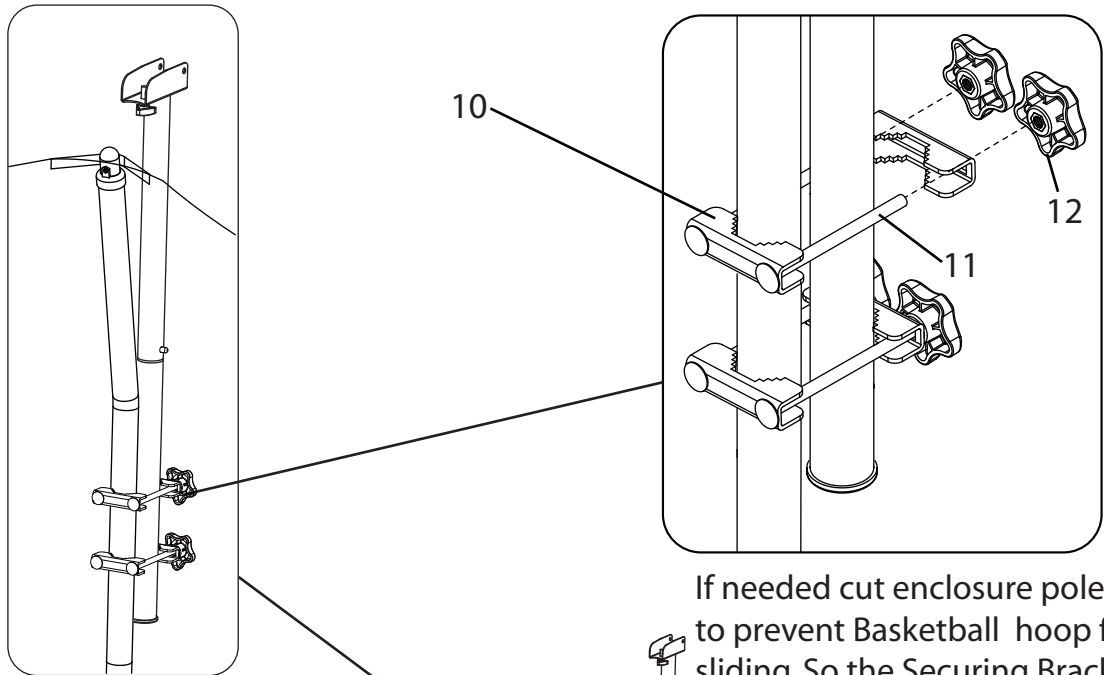
5. Slide the Backboard with net (9) onto the Flex Rod frame.



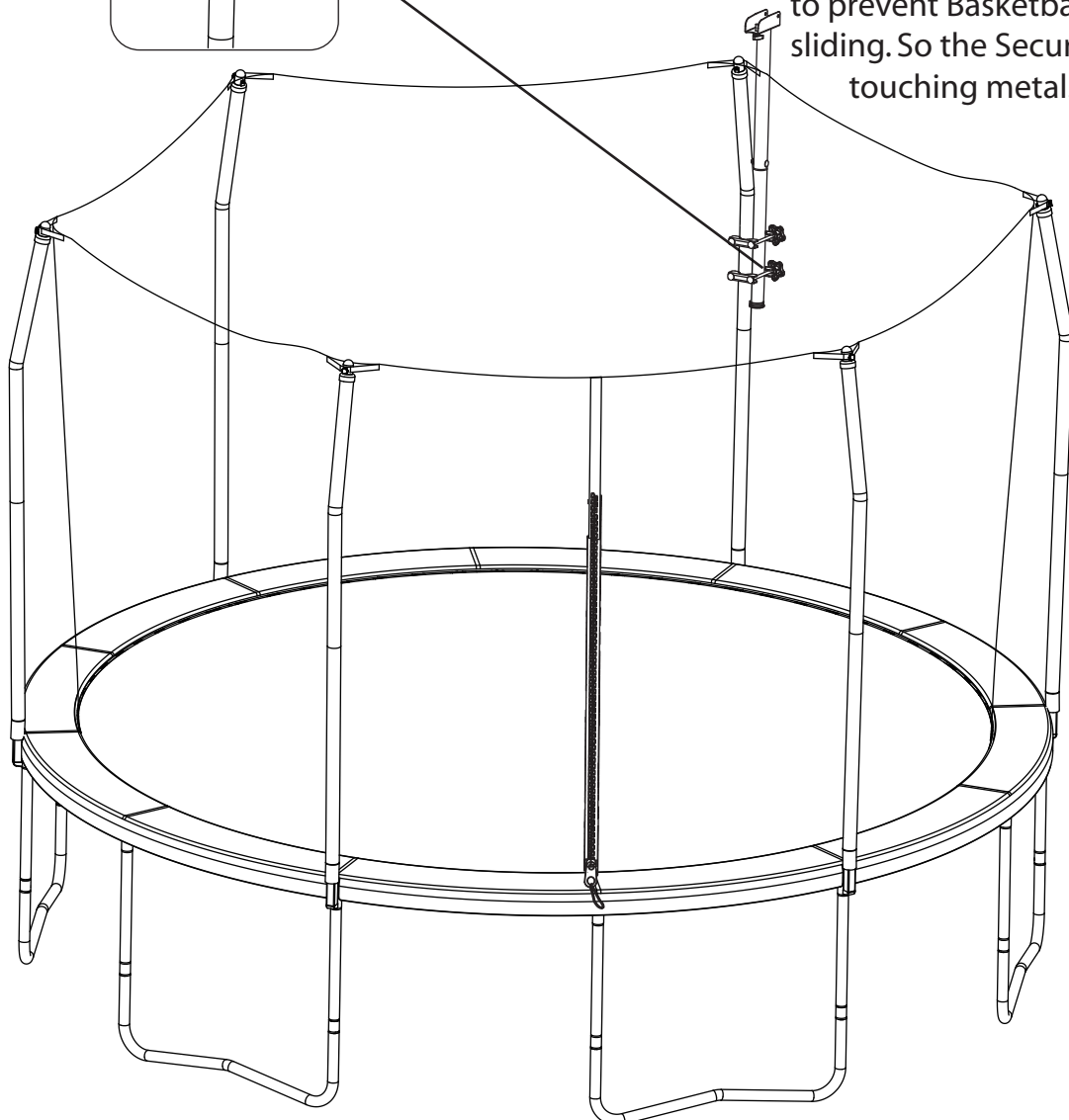
6. Insert the Fixed Support (8) pole into the Adjust Bracket (7).



7. Attach the Fixed Support (8) pole to the enclosure pole using the four Securing Brackets (10), M8x110mm Bolts (11) and Twist Knobs (12) as shown in picture. Take caution to avoid injury while installing the Jump Slammer. Use a ladder for safe installation.



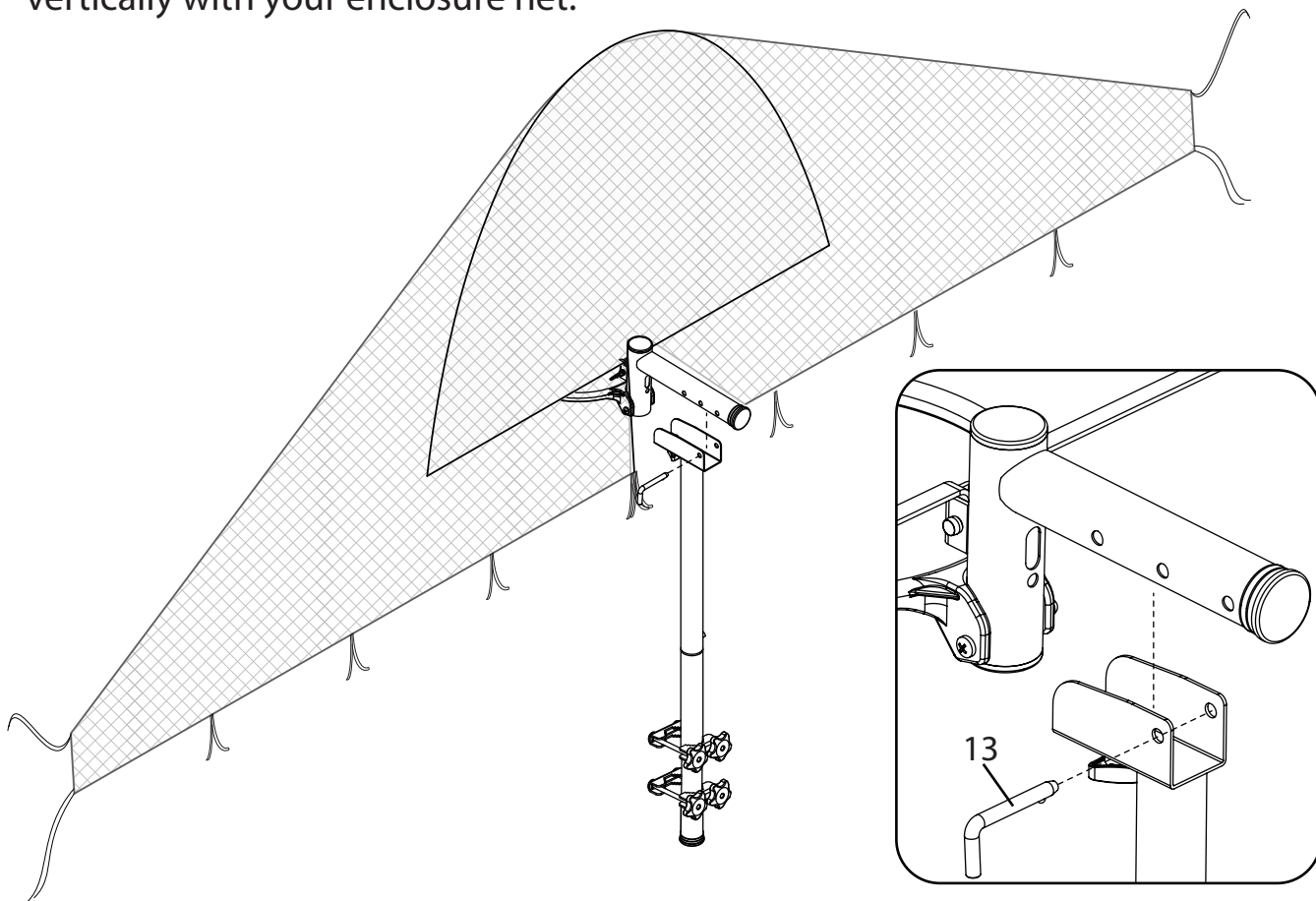
If needed cut enclosure pole foam to prevent Basketball hoop from sliding. So the Securing Bracket is touching metal.



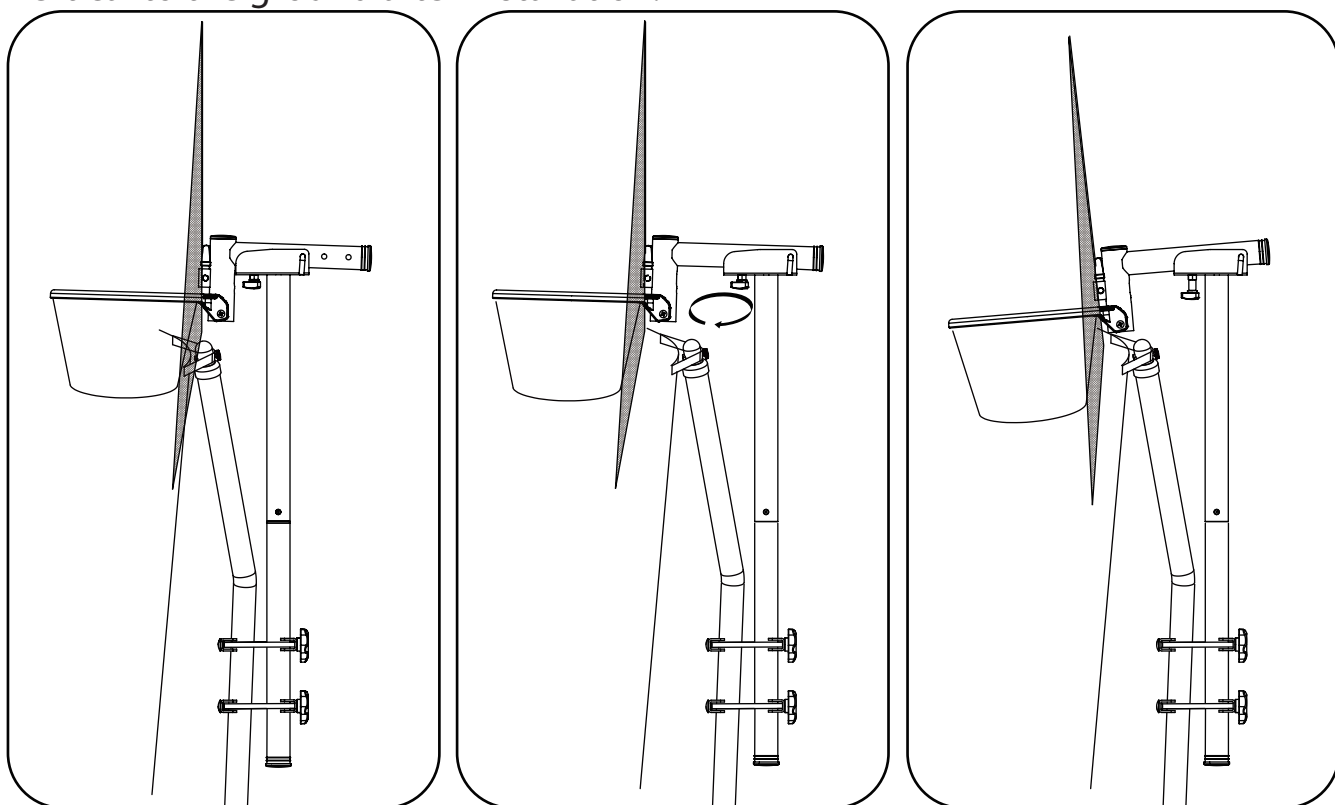


8. Place the Basketball Rim with net (5) onto the Adjustment Bracket (7) and secure with the adjustment bracket pin (13).

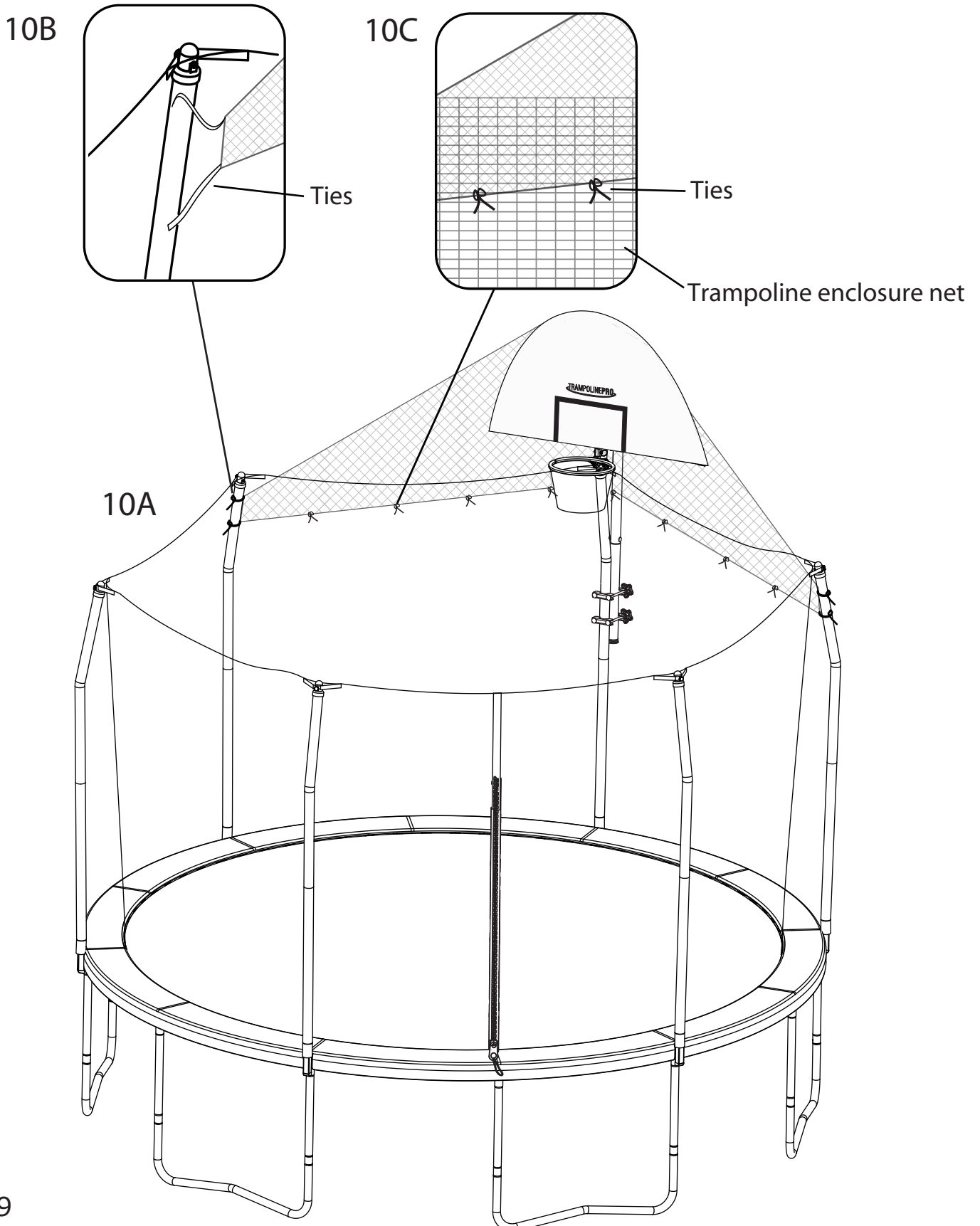
Note: Place the adjustment bracket pin (13) into one of the three adjustment positions to adjust the location of the backboard. So, that it is lined up vertically with your enclosure net.



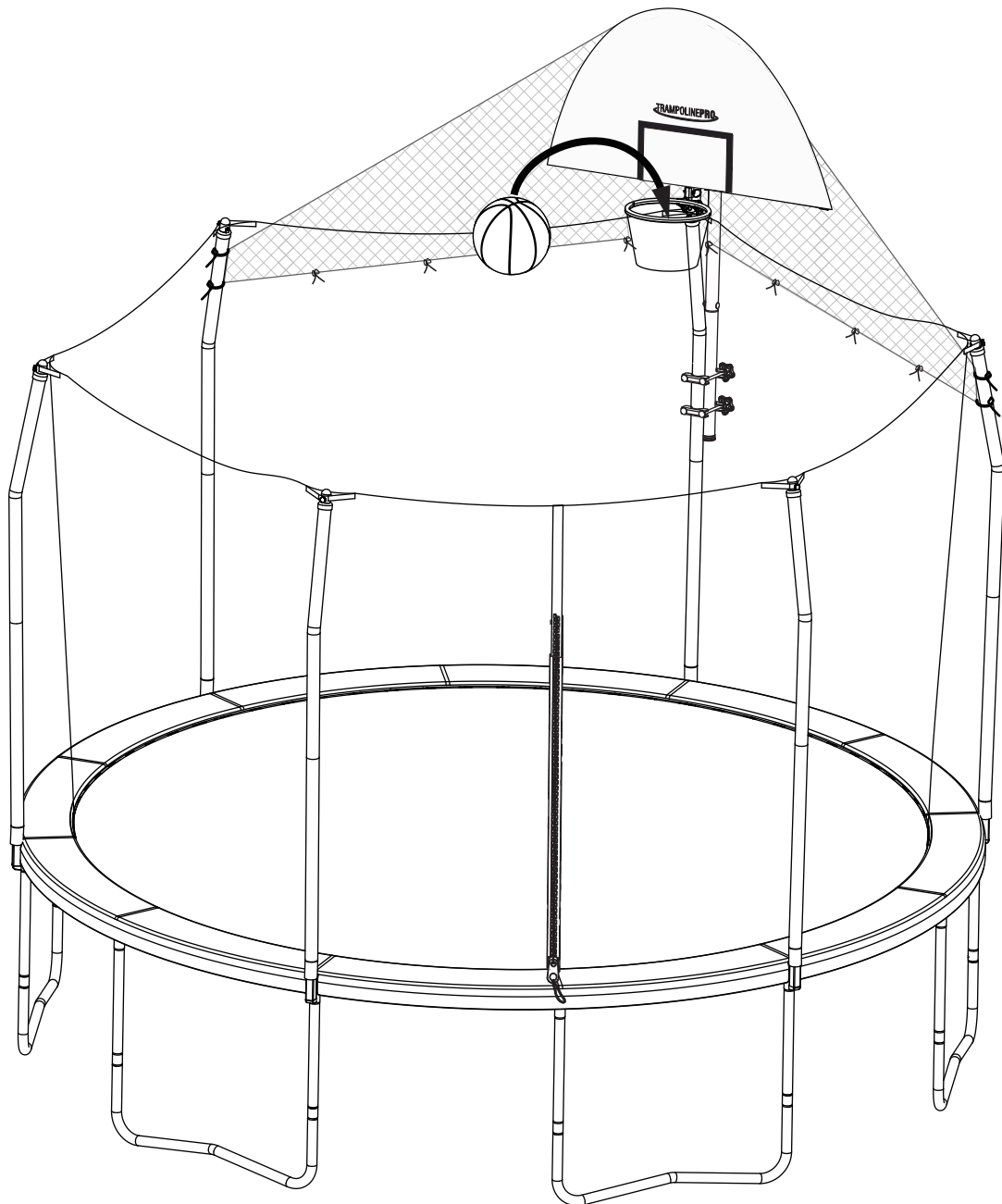
9. The Backboard angle can be adjusted using the adjustment bracket's adjustment knob. Tighten or loosen the adjustment knob until the backboard is vertical to the ground after installation.



10. Attach the Backboard with Net (9) by connecting it to the neighboring enclosure system poles as shown in picture 10B. (Not all enclosure styles are represented but the Jump Slammer should work with most enclosure styles). Attach the backboard with net base (9) by using the small ties to secure the Jump Slammer net to the top of the enclosure net as shown in pictures 10C, 10A.

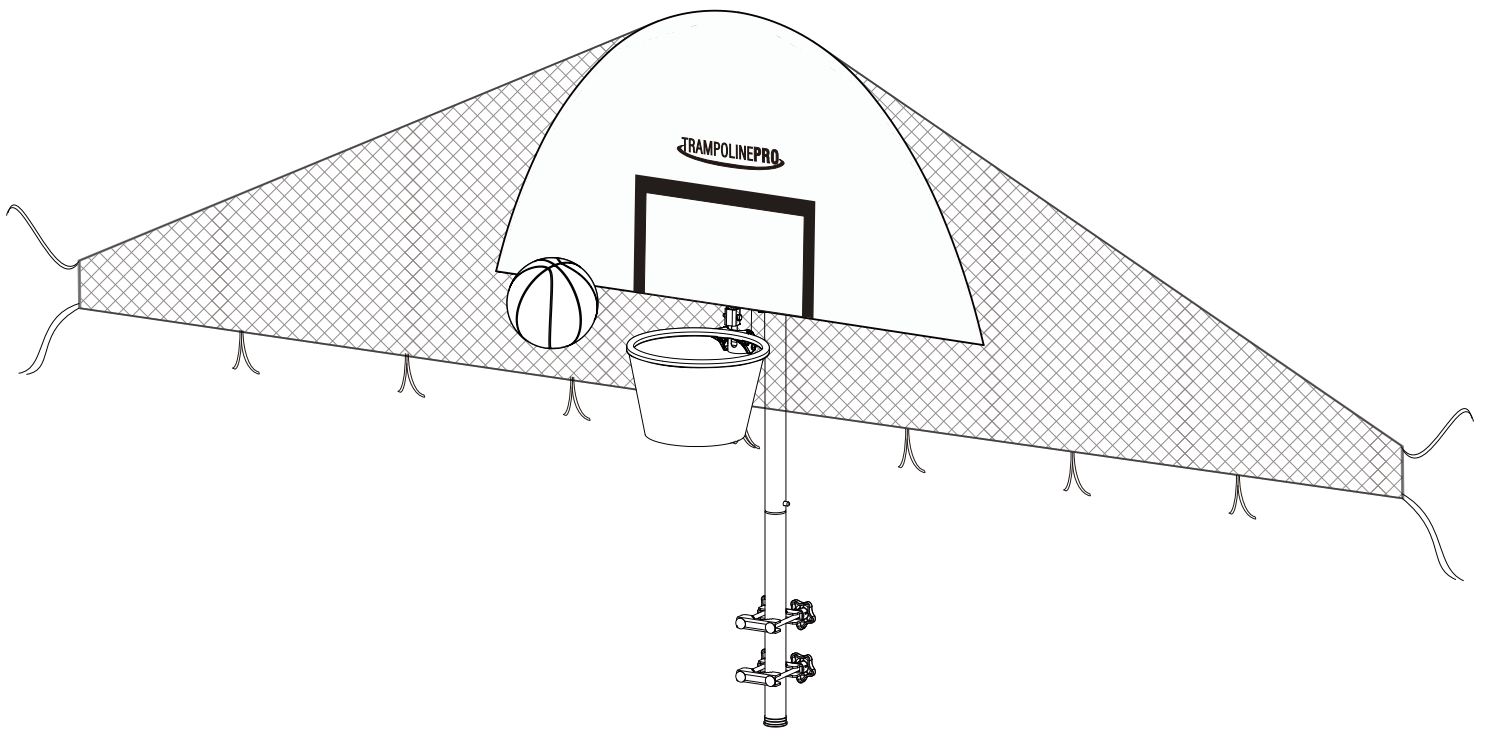


11. Congratulations! You have finished the Jump Slammer assembly. Do not hang, over jump or lose control while playing with the Jump Slammer. To avoid unnecessary damage or injury, Jump Slammer is for single recreational play only.



# JUMP SLAMMER

TRAMPOLINEPRO.COM



Trampoline Pro  
709 N 400 W STE 1  
North Salt Lake, UT 84054  
[www.trampolinepro.com](http://www.trampolinepro.com)