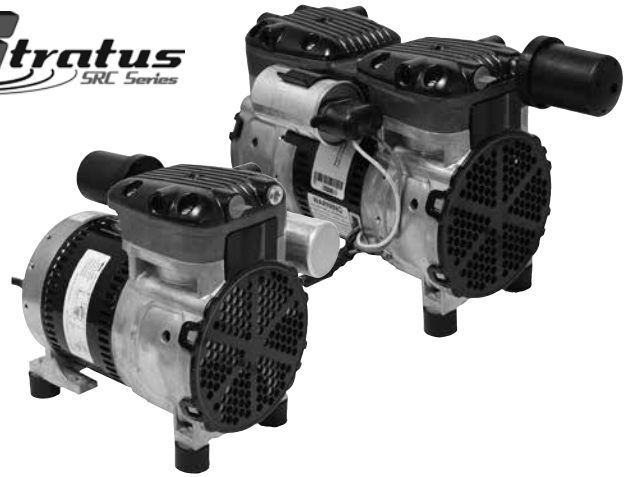




ROCKING PISTON COMPRESSOR SPECIFICATIONS

The EasyPro Stratus SRC Series rocking piston compressors are specifically designed for the demanding job of 24 hour operation. The oil-less design makes them ideal for pond aeration systems. Available in 1/4 and 1/2 hp, 115v and 230v.



Features:

- Quieter operation than similar compressors
- Universal dual voltage motor
- Oil-less operation
- Includes Stratus Smart-Start technology to start under load
- Superior quality, flexible cup material for increased reliability
- Permanently lubricated bearings
- Diecast body components for overall strength
- Single or double cylinder design
- 2 year warranty
- Maximum psi 30

Specifications:

Gen 2 • 1/4 HP

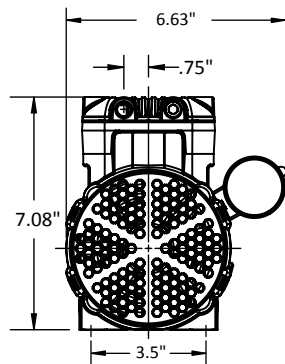
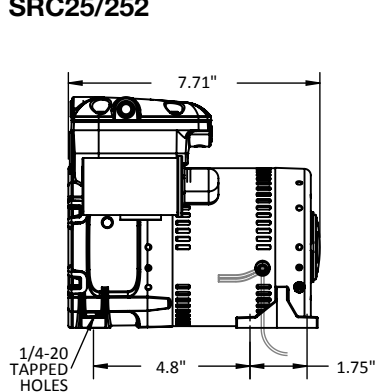
Gen 2 • 1/2 HP

Model	SRC25 – SRC252	SRC50 – SRC502
HP	1/4	1/2
Volt/Hz	115v/60Hz – 230v/60Hz	115v/60Hz – 230v/60Hz
Motor Type	4 Pole	4 Pole
Air Flow @ PSI	CFM	CFM
0	2.30	4.50
5	2.17	4.35
10	2.00	4.10
15	1.89	3.90
20	1.80	3.69
25	1.75	3.50
30	1.70	3.30
Inlet/Outlet Size	1/4" fpt	1/4" fpt
Amps* (115–230)	3.0 – 1.5	6.2 – 3.1
Watts* (output)	190w - 290w	340w - 586w
Noise Level	<60 dB	<65 dB
Weight	15 lbs.	19 lbs.

*Varies based on operating conditions

Dimensions:

SRC25/252



SRC50/502

