



VRLA Rechargeable Battery

SHR3.6-12



Measures Technology Values Innovation

FEATURES

- Maintenance free(no water topping-up required)
- No free acid(Non-spillable battery)
- Can be used in any orientation(excluding used inverted)
- The battery is designed for high rate usage
- Absorbent Glass Mat technology for efficient gas recombination
- The power density at 2 min~15min discharging
- rate is 50% higher than BP series

APPLICATION

- UPS
- Fishing Lights
- Power Packs
- Laboratory Equipment
- Fishing Lights Booster
- Toy-Cars



SPECIFICATIONS

Nominal Voltage	12 V
Nominal Capacity	15 Min Rate (13W, 1.60V/Cell)
Approx. Weight	930g(2.05lbs.)
Terminals	T2 (Faston Tab 250)
Internal Resistance	≤27mΩ (Fully Charged)
Max. Discharge Current	45 A (5 sec.)
Max. Charge Current	1.0 A
Operating Temperature Range	Charge : 0°C~40°C(32°F~104°F) Discharge : -20°C~50°C(-4°F~122°F) Storage : -20°C~40°C(-4°F~104°F)
Container Material	Standard: ABS(UL 94-HB) SHR3.6-12 Optional: Flame Retardant ABS(UL 94-V0) SHR3.6-12FR

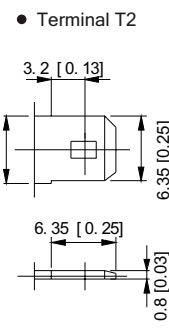
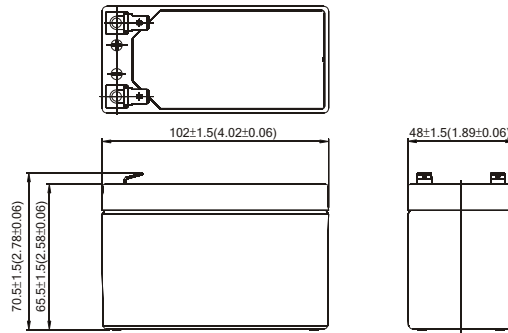
WSF ISO9001	RU MH19884
WSF ISO14001	CE CAM20310-2474-E-16
WSF OHSMS	
<ul style="list-style-type: none"> ● IEC 61056-1 ● JIS C 8702-1 ● GB/T 19639.1 	

DIMENSION(mm/inch)

OUTER DIMENSIONS

TERMINAL TYPE

- **Length**
102±1.5 (4.02±0.06)
- **Width**
48±1.5 (1.89±0.06)
- **Container Height**
65.5±1.5 (2.58±0.06)
- **Total Height**
70.5±2.0 (2.78±0.08)



Constant power discharge characteristics at 25 °C/77 °F Unit: W

Discharge Time F.V. (V/cell)	2 Min	3 Min	5 Min	10 Min	15 Min	20 Min	30 Min	40 Min	50 Min	60 Min	120 Min
1.80V	249	210	158	101	75	61	45	34	30	26	14
1.75V	267	225	170	107	77	63	46	35	31	27	14
1.70V	280	236	176	108	78	64	47	36	31	27	14
1.67V	286	243	180	109	78	64	47	36	31	27	15
1.60V	292	250	185	110	78	64	47	37	31	27	15
1.50V	298	255	186	110	78	64	47	37	31	27	15

Constant current discharge characteristics at 25 °C/77 °F Unit: A

Discharge Time F.V. (V/cell)	2 Min	3 Min	5 Min	10 Min	15 Min	20 Min	30 Min	40 Min	50 Min	60 Min	120 Min
1.80V	22.9	19.3	14.2	8.8	6.5	5.2	3.8	3.0	2.5	2.2	1.2
1.75V	24.6	20.8	15.3	9.4	6.7	5.4	3.9	3.1	2.6	2.3	1.2
1.70V	26.0	21.8	15.9	9.6	6.8	5.5	4.0	3.1	2.6	2.3	1.2
1.67V	26.5	22.5	16.6	9.7	6.8	5.5	4.0	3.1	2.6	2.3	1.2
1.60V	27.1	23.1	17.2	9.8	6.8	5.5	4.0	3.1	2.6	2.3	1.2
1.50V	27.7	23.6	17.4	9.8	6.8	5.5	4.0	3.1	2.6	2.3	1.2

All data and artworks shall be changed without prior notice, BB reserves the right to explain and update the information contained hereinto.

For operation, please refer to the instruction from technical manual.

A/0 REV. Apr. 2014

Powered by **B.B. Battery Co., Ltd.**