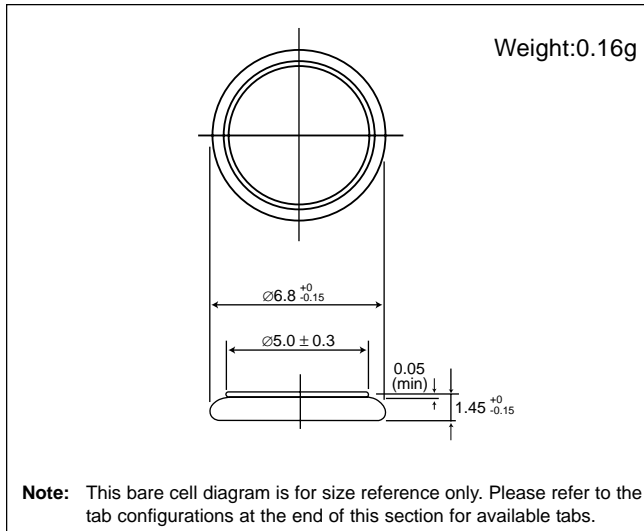


# Manganese Lithium Coin Batteries (ML series): Individual Specifications

## ML614

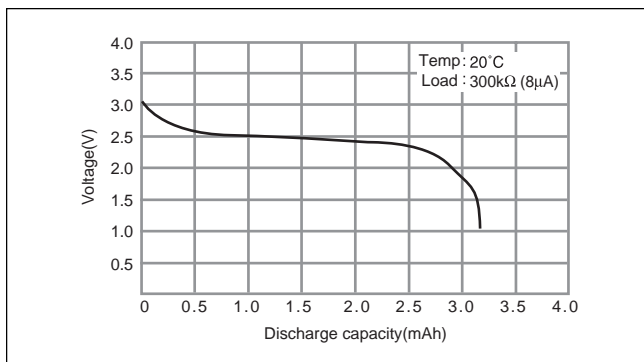
### □ Dimensions(mm)



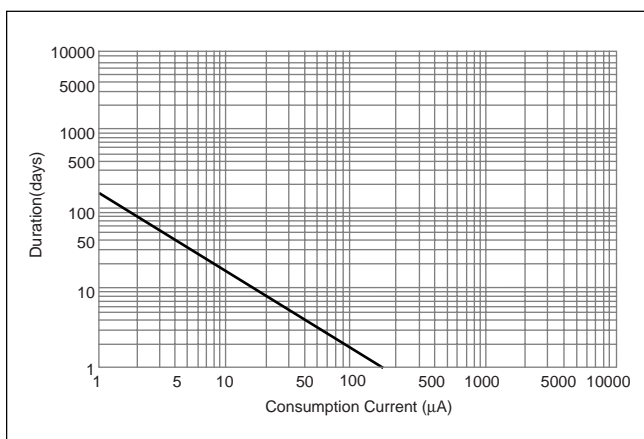
### □ Specification

Nominal voltage (V)	3
Nominal capacity (mAh)	3.4
Continuous standard load (mA)	0.01
Operating temperature (C)	-20 ~ +60

### □ Discharge characteristics

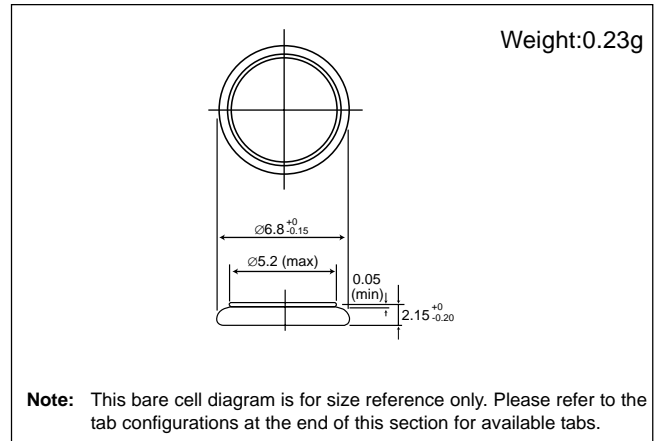


### □ Consumption current vs. Duration time



## ML621

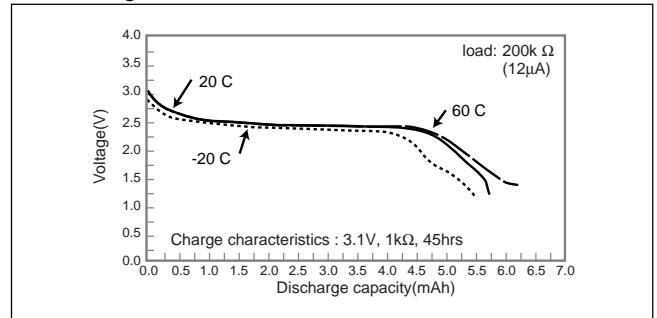
### □ Dimensions(mm)



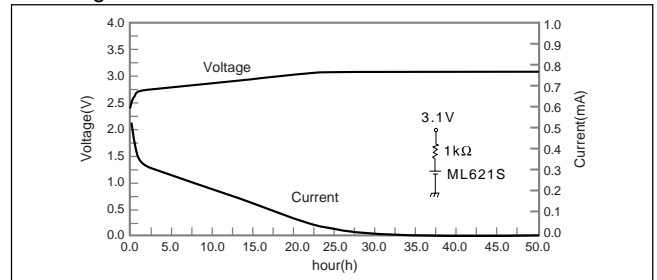
### □ Specification

Nominal voltage (V)	3
Nominal capacity (mAh)	5
Continuous standard load (mA)	0.01
Operating temperature (C)	-20 ~ +60

### □ Discharge characteristics



### □ Charge characteristics



### □ Consumption current vs. Duration time

