

Cell size	No	P/N	Fig	Insulating tube	F															tab hole															
					A		B			C			D		E		F		G		H		I		J										
421	1	ML-421S/DN	1	no	4.8	max	2.2	±	0.5	2.2	±	0.5	2	±	0.5	0.5	±	0.1	0.5	±	0.1	1.5	±	0.1	2.5	max	0.1	±	0.05	1.75	±	0.5	no		
614	2	ML-614S/DN	1	no	6.8	max	2.6	±	0.5	2.6	±	0.5	2	±	0.7	0.5	±	0.1	0.5	±	0.1	1.5	±	0.1	1.9	max	0.15	±	0.05	2.15	±	0.7	no		
621	3	ML-621S/DN	1	no	6.8	max	2.6	±	0.5	2.6	±	0.5	2	±	0.7	0.5	±	0.1	0.5	±	0.1	1.5	±	0.1	2.55	max	0.15	±	0.05	2.15	±	0.7	no		
920	5	ML-920S/DN	1	no	9.5	max	3.3	±	0.8	3.3	±	0.5	2.5	±	0.5	0.5	±	0.1	0.5	±	0.1	1.5	±	0.1	2.7	max.	0.15	±	0.05	2.25	±	0.5	no		
1220	8	ML-1220/F1AN	3	yes	12.6	±	0.2	1.5	±	0.5	2.75	±	1	(2)	0.75	±	0.1	0.75	±	0.1	(4.5)	2.6	±	1	0.15	±	0.05	1	±	0.8	no
	9	ML-1220/F1BN	2	yes	12.6	±	0.2	3.3	±	0.5	3.3	±	1	4.55	±	0.5	0.75	±	0.1	0.75	±	0.1	(4.5)	2.6	±	0.5	0.15	±	0.05	2	±	1	no

Fig1

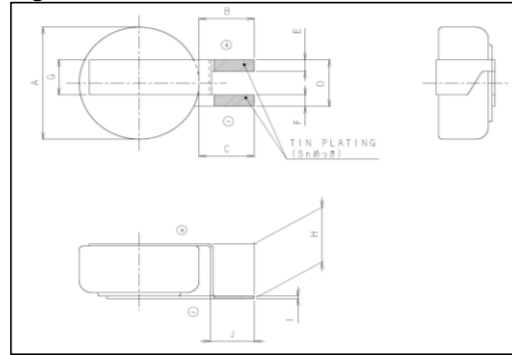


Fig2

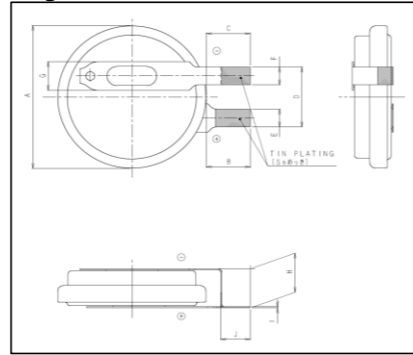


Fig3

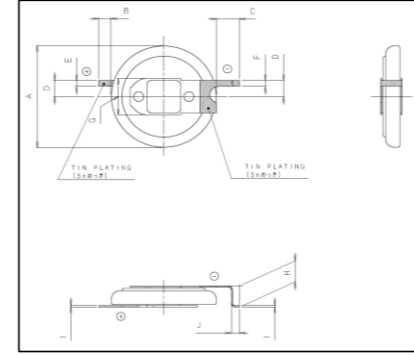


Fig4

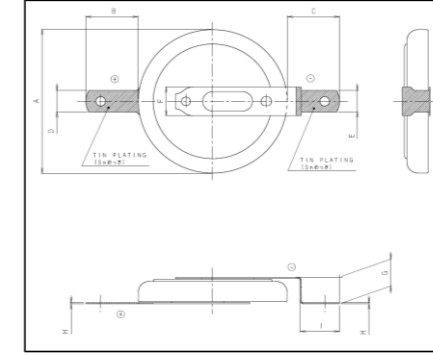


Fig5

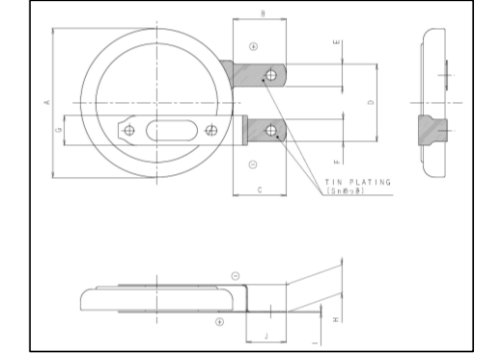


Fig.6

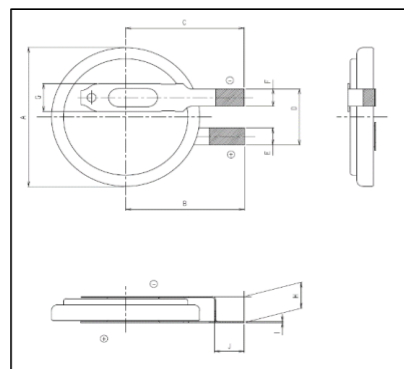


Fig7

