



PRODUCT SPECIFICATIONS

XTREME CUBE LIGHT



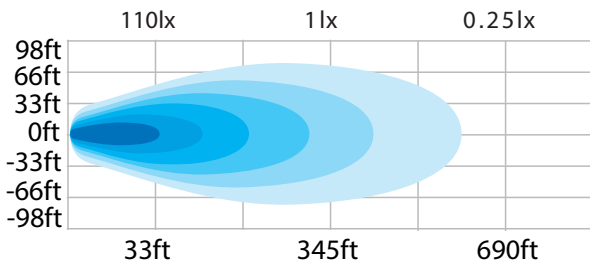
FEATURES

- 90° True Flood Beam Pattern
- 21,600 Raw Lumens
- IP67 rated
- 36pcs x 5W OSRAM LED's (4pcs per reflector)
- 10.0A @ 12V / 5.0A @ 24V
- Integrated Temperature Control System (TCS)
- The TCS will lower the light output depending on environmental temperatures to protect the light and keep it at the maximum output (36W minimum - 180W maximum)
- Chrome Coated Hardware
- Heavy Duty U Shaped Mounting Bracket
- Include a 12 inch dual insulated power wire with female
- Deutsch connector and a male connector with 8 inches of power wire
- Wiring Harness NOT Included

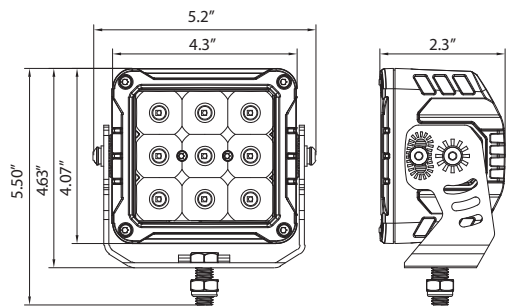


BEAM PATTERN

FLOOD BEAM



DIMENSIONS



SPECIFICATIONS

Model	LED Chip	Raw Power	Actual Power	Raw Lumen	Actual Lumens	Amp (12V/24V)	Optional Beam
180-FL-BLK	OSRAM 5W*36	180W	36-120W	21600LM	2943-9831LM	10.0/5.0	Flood Beam

