



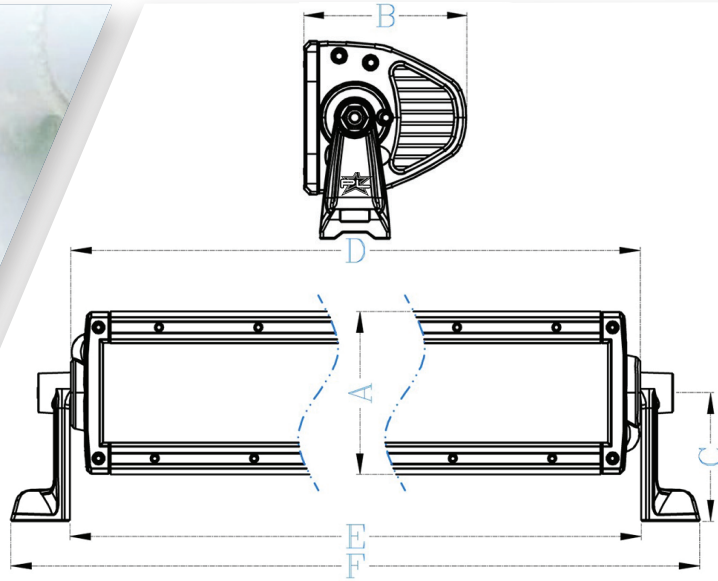
PRODUCT SPECIFICATIONS

XX-MARINE SERIES

4" TO 50"



OSRAM



SPECIFICATIONS

DIMENSIONS

Part #	Length	LED (QTY) & Max Watts	Raw Lumens*	AMP Draw	Beam	A	B	C	D	E	F	Weight (lbs)
XX-6-5W-WHT	6"	12PCS @ 60W	7,080LM	2.4A @ 12.9V	Spot, Flood or Combo	3-5/16"	3-1/2"	2-5/8"	7-1/2"	7-1/2"	10"	2.50
XX-10-5W-WHT	10"	20PCS @ 100W	11,800LM	3.9A @ 12.9V	Spot, Flood or Combo	3-5/16"	3-1/2"	2-5/8"	11-1/2"	11-1/2"	14"	3.62
XX-20-5W-WHT	20"	40PCS @ 200W	23,600LM	7.8A @ 12.9V	Spot, Flood or Combo	3-5/16"	3-1/2"	2-5/8"	21-1/2"	21-1/2"	24"	6.75
XX-30-5W-WHT	30"	60PCS @ 300W	35,400LM	11.7A @ 12.9V	Spot, Flood or Combo	3-5/16"	3-1/2"	2-5/8"	31-1/2"	31-1/2"	34"	9.10
XX-40-5W-WHT	40"	80PCS @ 400W	47,200LM	15.7A @ 12.9V	Spot, Flood or Combo	3-5/16"	3-1/2"	2-5/8"	41-1/2"	41-1/2"	44"	11.85
XX-50-5W-WHT	50"	100PCS @ 500W	59,000LM	19.5A @ 12.9V	Spot, Flood or Combo	3-5/16"	3-1/2"	2-5/8"	51-1/2"	51-1/2"	54"	15.25

* Based on LED manufacturer specifications

3304 N WYOMING
AVE, DICKINSON,
TEXAS 77539

FLASHLIGHTS.COM
SALES@FLASHLIGHTS.COM
+1 (855) 661-1002





PRODUCT SPECIFICATIONS

XX-MARINE SERIES

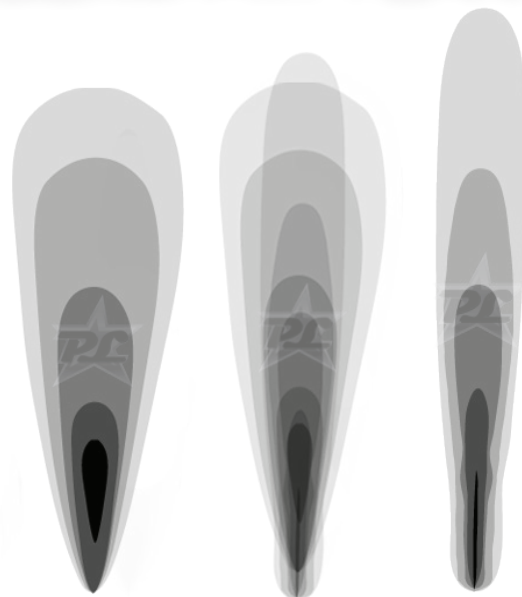
FEATURES

- 5W OSRAM® OSOLON LX ECE LED'S
- Extruded 6063 Aluminum Body
- AkzoNobel® Marine Polyester Powdercoat Coating
- Available in White or Black
- Durable Scratch Resistant High Impact Polycarbonate Lens
- 316 Stainless Steel Hardware and Fasteners with Nylon Locking Nuts
- 9~36VDC Input
- Genuine Gore® Waterproof Membrane with Mechanical Seal
- Over / Under and Reverse Polarity Protection
- Protected Against Electromagnetic (EMC) and Radio Frequency Interference (RFI)
- 50,000 Hours or 5 Years of Continuous Use
- Operating Temp: -40°F ~ +145°F
- MIL810-STDG Vibration Compliant
- ROHS Compliant
- Printed Logo - No Exposed Aluminum

INCLUDES

- (2) Cast Aluminum Mounting Brackets
- (1) Noise Reducer Per Every Ten Inches
- Extended Power Wire

BEAM PATTERN



LINEAR FLOOD COMBINATION SPOT

ALSO AVAILABLE IN CURVED

