

VEGA LED DOWN LIGHT



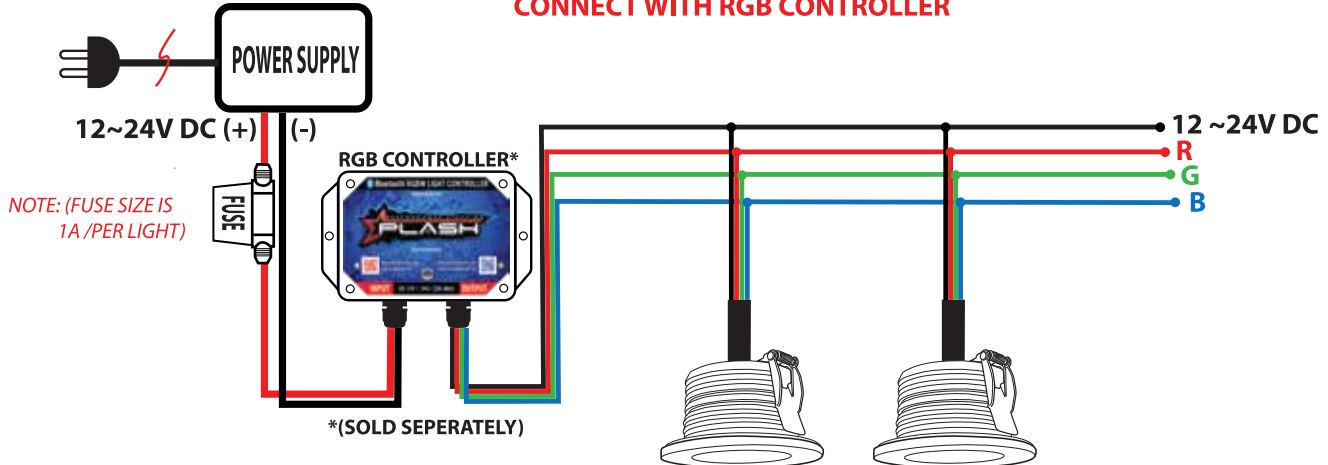
**Important: Read all instructions prior to installation.
Do not over tighten the fasteners when installing.**

Parts Included

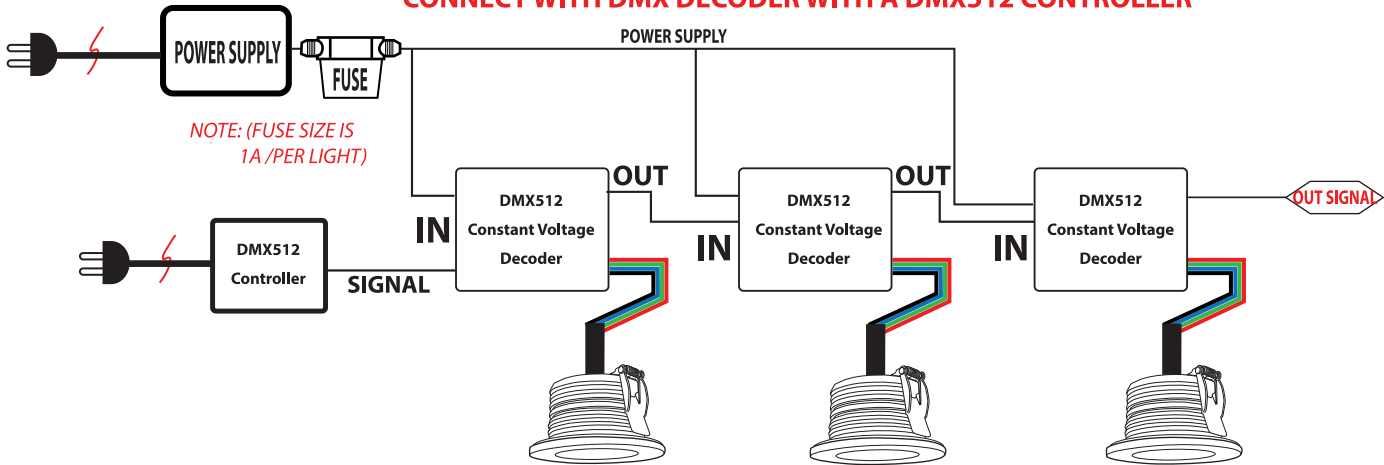
- 1 x Vega Glass Lens LED Down Light
- 1 x 9ft Black Insulated Power Wire.
- 2 x Spring Clamps with Fasteners
- Instructions

Wiring Diagram

CONNECT WITH RGB CONTROLLER



CONNECT WITH DMX DECODER WITH A DMX512 CONTROLLER



- 1) Non-compliance of these instructions may cause damage to the lights or injury, and will also invalidate our limited lifetime warranty.
- 2) The installation must be carried out by qualified personnel in accordance with local and national codes.
- 3) Regularly inspect the lights, power wire, connections, and any other accessories. If any part is damaged, the product should not be installed.
- 4) Disconnect the power supply before installation and service.
- 5) Do not connect Plash Vega LED Down Lights to the main power supply directly. The light should be connected to the Plash RGBW controller or any other driver supplying the correct voltage.
- 6) Verify that the connecting wires from lighting fixtures and controller or DMX512 decoder, align to the proper matching poles before powering on.
- 7) Do not install light fixtures in low areas where water can collect or otherwise get into the fixtures.
- 8) Keep this instruction manual handy for future use.
- 9) Power supply should be UL listed class 2 DC 12V.
- 10) The light source of this product are not changeable or replaceable.
- 11) Do not disassemble the product.
- 12) Prohibit the use of this product in excess of the operating voltage (24V DC) +-5%. The correct voltage is on the package
- 13) Apply power to the lights to test prior to installation.
- 14) Always use the proper fuse size.

*****DISCLAIMER*****

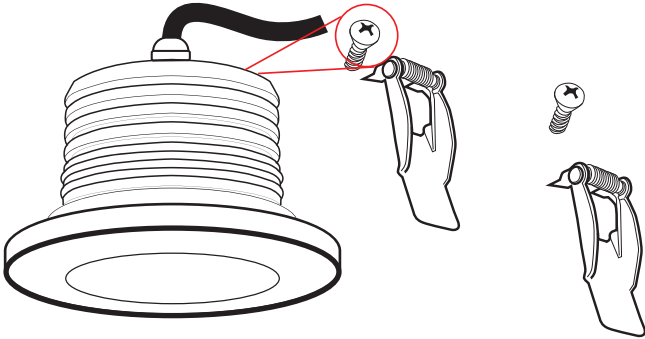
These instructions are designed to provide a simple and straightforward installation of your Vega LED Down Lights. Plashlights LLC., is not responsible for any damage resulting from the improper installation of these Vega LED Down Lights to your vessel, components, or to location of installation.

**For Technical Questions Please Call: 1-855-661-1002 Ext. 3
Mon-Fri 10am-5pm CST**

INSTALLATION INSTRUCTIONS

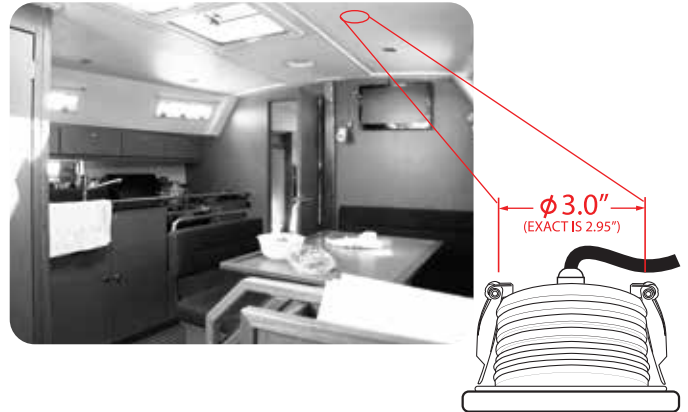
STEP 1

Install supplied clips with provided fasteners



STEP 2

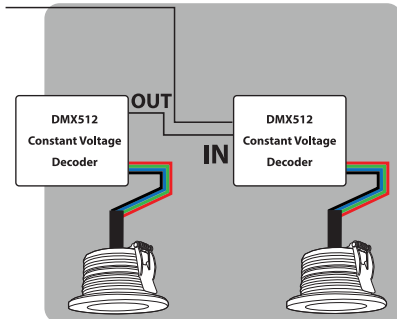
Ensure that you have 2.5" clearance in your ceiling
After deciding on the install area, drill a hole of a diameter of ~3.0".



STEP 3A

IF USING DMX512 CONTROLLER

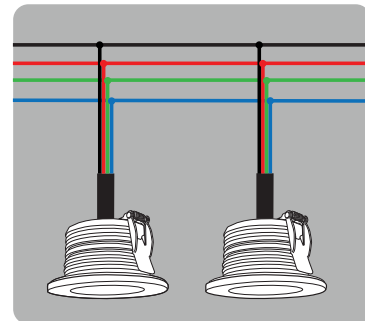
Connect the wires from the Vega LED Down Light to the wiring from the DMX Decoder



STEP 3B

IF USING PLASH RGB CONTROLLER

Connect the wires from the Vega LED Down Light to the wiring from the Plash RGBW Controller.



STEP 5

Verify the install, insuring the wires are not cut, pinched nor installed improperly. Power on and test for functionality.



STEP 6

Carefully pull the spring clamps toward the back of the fixture and insert the fixture into the hole drilled into the ceiling. The clamps will flex back to their original position and the fixture will be firmly in place.

