

User's Manual for SplashLights Flexible LED Strip Lights

Questions:
855-661-1002

or
support@plashlights.com



Part #
FLS-(COLOR) -68-(LENGTH)

Read these instructions carefully before installation.

SAFETY TIPS:



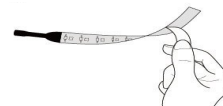
- 1) Non-compliance of these instructions may cause damage to the lights or injury.
- 2) The installation must be carried out by qualified personnel in accordance with local and national codes.
- 3) Regularly inspect the lights, power wire, connections, and any other accessories. If any part is damaged, the product should not be used.
- 4) Disconnect the power supply before installation and service.
- 5) Keep this instruction manual handy for future use.
- 6) Power supply should be UL listed class 2 DC 12V or 24V.
- 7) The light source of this product are not changeable or replacable.
- 8) Do not disassemble the product.
- 9) IP68 led strips are waterproof, suitable for outdoor use. However, permanent underwater usage is not advised.
- 10) To prevent the risk of fire, do not compress the lights and keep a 1/4" gap from the light emitting surface.
- 11) Prohibit the use this product in excess of the operating voltage (DC12V/DC24V) +- 5%. The voltage is on the package.
- 12) You can cut each section at the line marked with scissors in the middle of the solder points.
- 13) Always disconnect the power before cutting the lights.
- 14) Apply power to the lights to test prior to installation
- 15) Always use the proper fuse size (see below chart)
- 16) **DO NOT** crimp, bend forcefully, bend width-wise, or bend the lights lengthwise to a radius smaller than 6 inches.
- 17) **DO NOT CONNECT 12V / 24V DC FLEXIBLE LED STRIP LIGHTS TO 120V AC POWER.**

Installation Instructions:

HINT: Tape off the area next to where the lights are to be installed for protection.

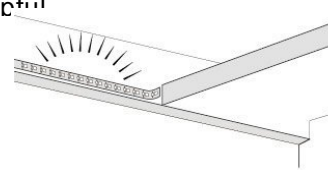
1 Clean surface. An alcohol swab works well to remove oils and moisture. Make sure area dry.

2 Tear off the 3M adhesive tape (if applicable).



3 Embed the back side of the lights in constant bead of GT-2100 marine silicone sealant (sold separat

4 Gently apply the lights to the area to be mounted. Do not allow the lights to have a strain on them. An assistant or blue painters tape may be helpful.



5 Cut off excess power wire. The shorter the lead the better. Connect to the proper power supply. Connection details below.

6 Allow silicone to dry for 24 hours before any movement or vibration.

Optional Fastening Method:

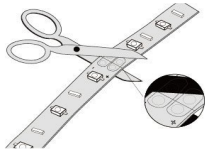
1 Layout the silicone mounting brackets over the led strip lights every 3 in

2 Fasten the mounting clips to the structure with stainless steel screws (not supplied).



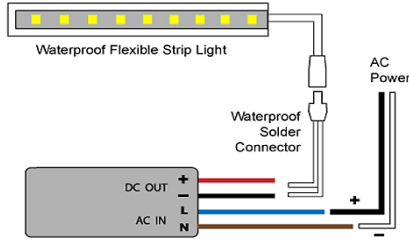
Cutting to Specified Length:

- 1** Please cut the LED strip through the lines marked on it.

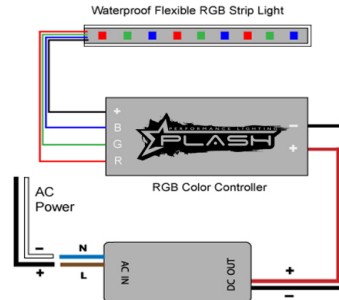


- 2** Embed end cap provided in GT-2100 marine silicone sealant (sold separately) and slide over the end of the light strip. Wipe off any extra silicone

Single Color LED Strip Connection:



RGB LED Strip Connection:



Wire Color Reference:

NOTE: Sometimes the wire color may vary. See charts below:

SINGLE COLOR

WIRE COLOR		PURPOSE
Black	>>>>	12V +
Red	>>>>	Ground

RGB & RGBW

WIRE COLOR	OPTINAL COLOR	PURPOSE
Blue	White (not RGBW)	Ground
Green	Yellow	Ground
White	>>>>	Ground

Amp Draw:

Each 1ft. Section is 4.5W (0.375A @ 12V)

10ft will draw 3.75A @ 12V or 0.1875A @ 24V

Fuse Size:

Below chart is will the factory length of power wire (9 ft). Any additional power wire will increase the amp draw and will need to be a larger guage. Please refer to the American Wire Guage

Total Length	Voltage	Fuse Size
1 FT	12V	1A
4 FT	12V	2A
8 FT	12V	3A
12 FT	12V	5A
16 FT	12V	7.5A
24 FT	12V	10A
32 FT	12V	10A

Total Length	Voltage	Fuse Size
1 FT	24V	1A
4 FT	24V	1A
8 FT	24V	2A
12 FT	24V	2A
16 FT	24V	2.5A
24 FT	24V	5A
32 FT	24V	5A

Troubleshooting:

Lights do not illuminate:

- Make sure the DC power supply is turned on and receiving power.
- Check fuse.
- Confirm you have maintained correct polarity (+ to + and - to -) when connecting lights as well as
- Check all light connections and any switch or dimmer connections from the power supply to the
- Test with a multimeter to ensure light is receiving 12V or 24V DC power.
- If RGB(W) confirm that the APP is turned on.

Only part of light is lit:

- Check connections to the part of the light that is not lit.
- Confirm that the voltage input is 12V / 24V.
- If RGB(W) confirm that the APP is selecting a solid color and that it is not dimmed.
- If above items are confirmed, then the light strip has been damaged. Don't worry.... We can fix it. but you will need to send it back to us.

LEDs farthest from the power supply are noticeably dimmer:

- This is the result of voltage drop. Decrease the length of the 12V or 24V DC power feed wires or use thicker power feed wires between the 12 or 24V DC power supply and the lighting tapes.
- Use shorter lengths of lights.
- Consider a different layout configuration.