



User Manual

Part Number:

PL-DP-27W-RGB

Important: Read all instructions prior to installation.

Drain Plug Light

Features

- 316L Marine Grade Stainless Steel
- Poly-Carbonate Lens
- 5 Ft Power Wire (22AWG)
- Over-Temp Protection
- Waterproof IP68

Specifications

| 27W LED Drain Plug Light | |
|--------------------------|--------------------------|
| Input Voltage | 12 VDC |
| Current Draw | 1.2 A @ 13.5VDC |
| Total Power Consumption | 16.2W @ 13.5VDC |
| Operating Temperature | -22°F~122°F (-30°C~50°C) |
| Available Colors | RGB |
| LED Lifetime | 50,000 Hours |
| LED Brand | CREE |
| Warranty | 3 Years |
| Dimensions | 1/2" or 3/4 NPT |
| Weight | 0.77 lb (0.35kg) |

Parts Included

Underwater Boat Light 1x (PL-DP-27W-RGB)

Recommended Tools (not included)

- Wrench
- PTFE Sealing Tape
- Alcohol Lint Free Cloths
- Masking Tape

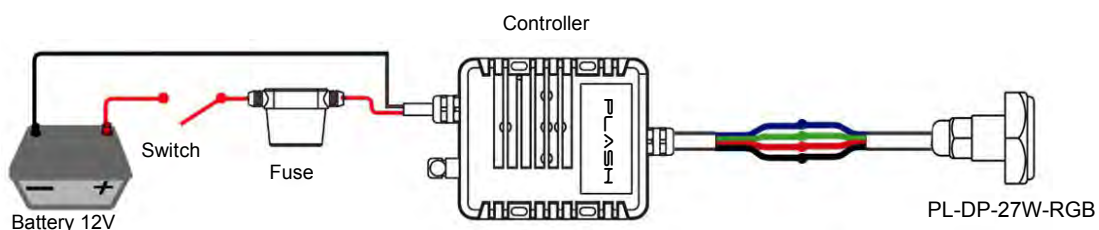
Caution

LIGHTS MUST BE SUBMERGED TO AVOID OVERHEATING. USE OUT OF WATER WILL DECREASE LED LIFETIME AND CAUSE EARLY FAILURE.
LIGHTS HAVE OVER TEMPERATURE PROTECTION (FOR TESTING PURPOSES ONLY) AND WILL SHUT OFF WHEN MAX TEMP (194°F / 90°C) IS REACHED.
DO NOT OPERATE LIGHTS OUT OF WATER FOR MORE THAN 2 MINUTES FOR TESTING.

ENSURE THE POWER WIRE IS SECURED AS MOVEMENT OF POWER WIRE WILL WEAR OUT THE SEAL AND ULTIMETELY CAUSE LIGHT FAILURE.

INSTALLATION OF LIGHTS MUST BE DONE WHILE BOAT IS OUT OF WATER AND DRY.
WE ARE NOT RESPONSIBLE FOR ANY INJURY OR PROPERTY DAMAGE INCURRED DUE TO IMPROPER INSTALLATION.

Wiring Diagram



Bluetooth Control Box

Search for the PlashLights APP in the APP store or Scan the QR code to download App (IOS 6 or Android 4.3 above)

| Bluetooth Control Box | |
|-----------------------------|---------------|
| Input Voltage | DC 12V |
| Output power | Max:200W |
| Waterproof | IP67 |
| Material | Polycarbonate |
| Size | 126*82*28(mm) |
| Bluetooth Transmit distance | 30FT |

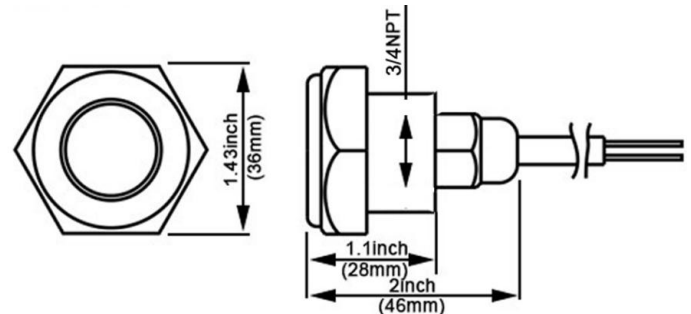


Note:

- Bluetooth Controller is SOLD SEPARATELY
- Bluetooth Controller can only drive up to 200W of boat lights.

Installation Instructions

TIP: Know your thread; is it 1/2" or 3/4 NPT?



Bluetooth Pairing Steps:

Power on the control box, within 2 minutes open the PlashLights APP on your phone, the APP will automatically connect to the Bluetooth controller indicated by a red wheel on the right, go to home icon, create zone, name is optional, add devise to zone, select zone, lights can be controlled now.

TROUBLE SHOOT CONNECTION:

- 1, Check whether the device is powered, whether the phone Bluetooth is turned on, please do not connect the Bluetooth controller to your Bluetooth setting.
- 2, APP click to refresh to see if the connection can be successfut. If not, exit APP from the background, and re-power the controller , reopen the APP.
- 3, Keep your phone and the controller no more than 30 FT apart.