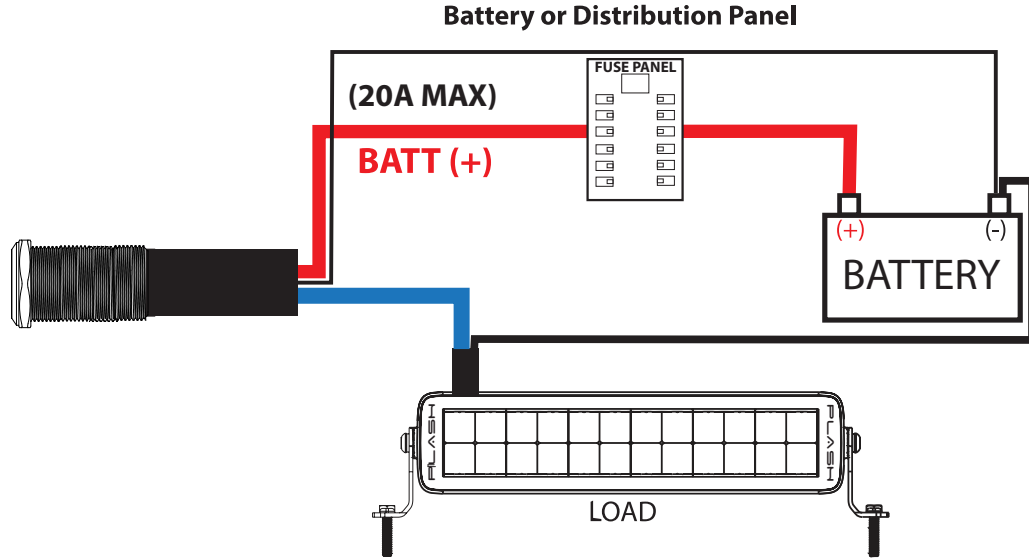
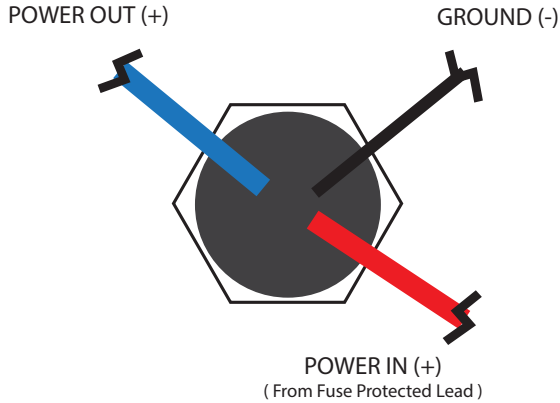


HARSH ENVIRONMENT SWITCH

SINGLE OUTPUT

WIRING DIAGRAM

RearView



IMPORTANT: Proper wiring must be followed!
Improper wiring may cause damage to switch and invalidate warranty



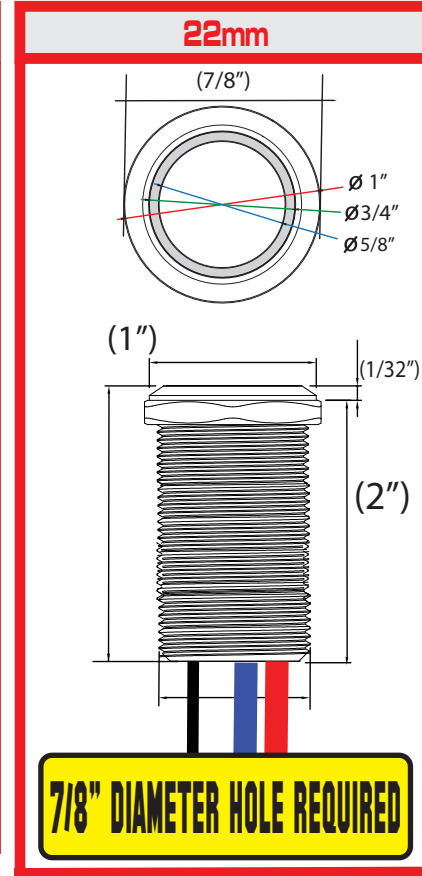
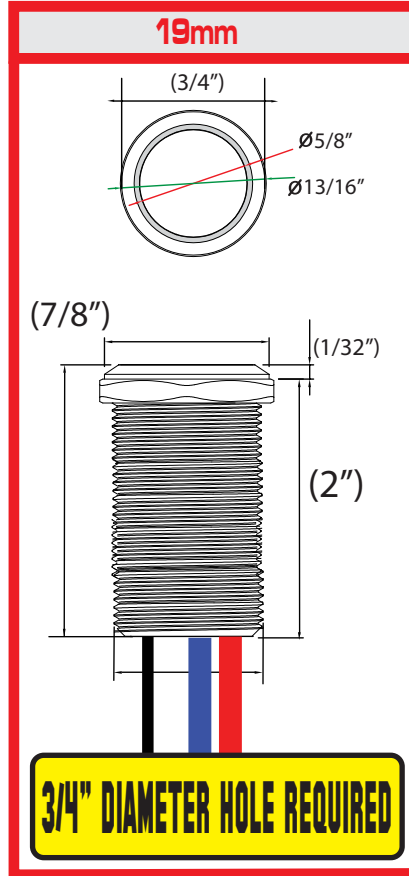
Need Assistance? Call Us: M - F 10am - 5pm CST (281) 414-7177 ext. 3

HARSH ENVIRONMENT SWITCH

SINGLE OUTPUT

SPECIFICATIONS

- 9~15V
- IP68 Rated
- Robust Mechanical Switch Rated to Handle 20A
- Mechanical Lifespan 150,000 Presses
- LED Lifespan 40,000 Hours
- Operation Pressure: 4N
- Operating Temperature -4°F ~ +176°F
- Panel Mounting Thickness: $\leq 1\text{-}3/4"$ (1-45mm)
- 316 Stainless Steel Housing - No Rust
- Available in Latching or Momentary Operation
- 3ft of Copper Tinned Marine Wire
- REVERT Limited Lifetime Warranty



Need Assistance? Call Us: M - F 10am - 5pm CST (281) 414-7177 ext. 3

