



PRODUCT SPECIFICATIONS

3 INCH LED WORK LIGHT



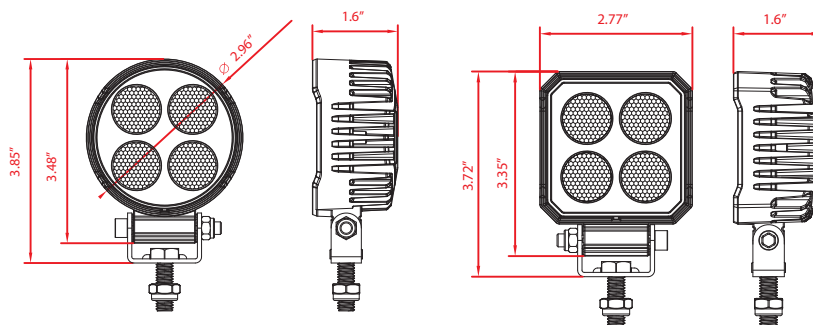
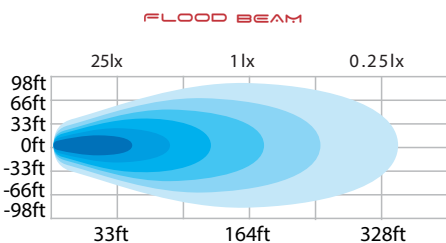
FEATURES

- LED Chip: 4PCS* OSRAM 6W
- Actual Power : 29-32W
- Operating Voltage: 10-30V DC
- Effective Lumen: 2,200 LM
- Current Draw: 2.47A@12V,1.29A@24V
- Color Temperature: 5700K
- Beam: Flood 90°
- Size: 3" x 3"
- Certificate: CE, RoHS, IP67,EMC
- With Temperature Control System



DIMENSIONS

BEAM PATTERN



SPECIFICATIONS

Model	LED Chip	Raw Power	Actual Power	Raw Lumen	Actual Lumens	Amp (12V/24V)	Optional Beam
WL-24W-SQ	OSRAM 6W	24W	29-32W	2750LM	1400LM-2200LM	1.29/2.47	Flood Beam
WL-24W-RD	OSRAM 6W	24W	29-32W	2750LM	1400LM-2200LM	1.29/2.47	Flood Beam

