



Part Number:

**BT-60W-RGBW**



**READ THESE INSTRUCTIONS BEFORE INSTALLATION.**



1. Non-compliance of these instructions may cause damage to the lights and/or bodily injury.
2. The installation must be carried out by qualified personnel.
3. Regularly inspect the lights, power wire, connections, and any other accessories. If any part is damaged, the product should not be installed.
4. Disconnect the power supply before installation and service.
5. Keep this instruction manual handy for future use.
6. Do not disassemble the controller.
7. Prohibit the use of this product in excess of the operating voltage (12V DC/ 24V DC) +-5%. The correct voltage is on the package.
8. Always use the proper fuse size (see wiring diagram).

Bluetooth Control Box	
Input Voltage	12V DC or 24V DC
Output	Max: 200 W
Waterproof Rating	IP67
Material	Polycarbonate
Size	4.96"*3.23"*1.10"
Bluetooth Transmition Distance	900 FT MAX

## A. INSTALLATION INSTRUCTIONS

1. Mount the controller in a central location using the tabs on the side. Mount away from heat and be aware of metal as it will block the signal.
2. INPUT: Connect positive (Red +) wire to the positive output on a 12V~24V power supply through a fuse to a switch (see diagram below). Connect negative (Black -) wire to negative battery terminal.
3. OUTPUT: Connect the Black (V+) wire from the controller to the black (V+) from the light. Connect remaining negative wires from light to controller output. Connect Red to R, Green to G, Blue to B, and if using RGBW lights then connect the White to W.

**NOTE:** If using RGB lights, Instead of RGBW, the white wire (-) will not be used. Simply cut it off.

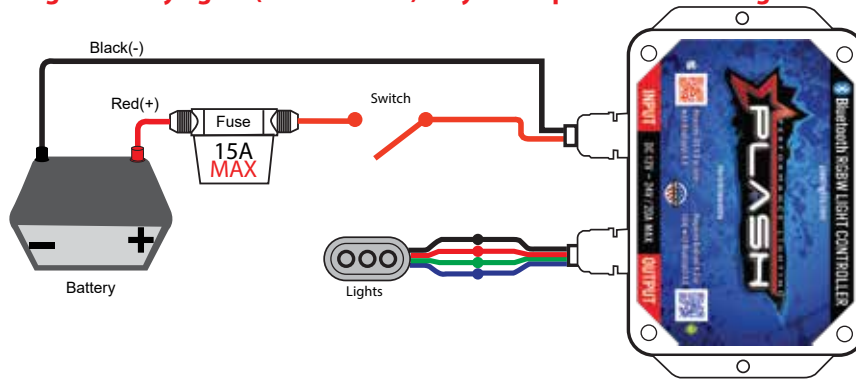
**NOTE:** Marine grade heat shrink butt connectors, or solder with adhesive heat shrink power source are recommended.

**NOTE:** The usage of a properly rated switch is highly recommended as opposed to using the App to turn on/off the lights. The switch needs to be rated for at least 15A.

**NOTE:** Occasionally, some other RGB light manufacturers us a Yellow wire for Green (G) and a White wire for a Blue (B).

## WIRING DIAGRAM

**Connecting too many lights (over-current) may cause permanent damage to the controller!**



## B. PAIR CONTROLLER TO DEVICE

1. Download the Plashlights APP in the APP store or Scan the QR code to download App. (IOS 6 or Android 4.3 and above)
2. Pair Bluetooth™: Power on the controller within 2 minutes. open the PlashLights APP on your device. The APP will automatically connect to the controller. Go to zone selector, create zone, name is optionall, add device to zone, select zone, lights can be conrolled now.

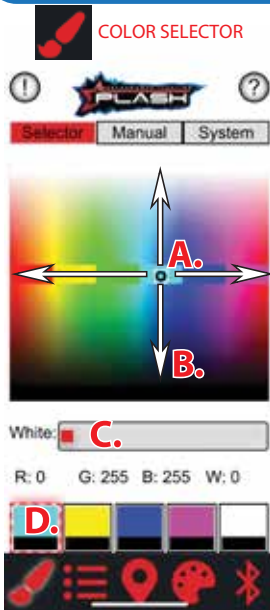


**\*\*\*DISCLAIMER\*\*\***

These instnctions are designed to provide a simple and straightforward installation of your speaker rings. Plashlights LLC., is not responsible for any damage resulting from the improper installation of our products to your property, components, or to location of installation. Our liability in all events is limited to, and will not exceed, the purchase price paid.

**For Technical Questions Please Call: 1-855-661-1002 Ext. 3  
Mon-Fri 10am-5pm Central Time**

## D. USING THE APP



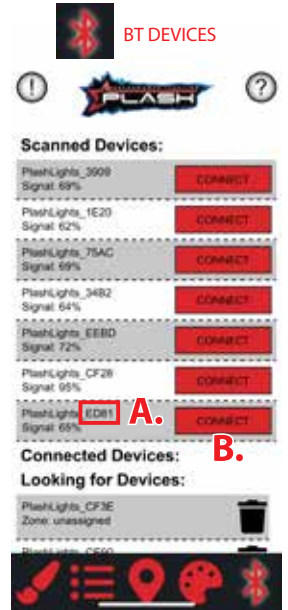
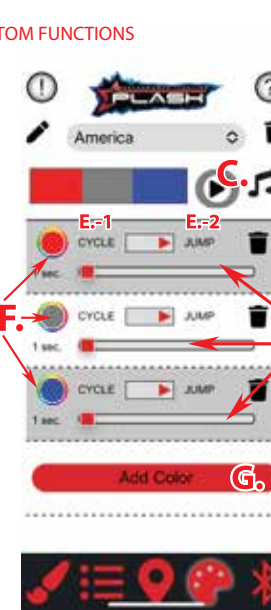
- A. Move selector to the color fitting your aesthetic.
- B. Slide up to make a tint (lighter) color. Slide down to make a shade (darker) color.
- C. White Slider for RGBW ONLY.
- D. Assign your favorite color to any box



- A. Turn ON/OFF lights.
- B. Play/ Start color cycle program. Skip forward/ backward to next program.
- C. Slow down color cycle.
- D. Speed up color cycle.
- E. Slide left and right to dim or brighten lights.
- F. Lights can pulse to music ( Music is picked up through mic on phone ).
- G. Saved pre-set color cycles ( Scroll for more than 3 ).



- A. Pre-set patterns for holidays/ special occasions.
- B. Create your own customized patterns
- C. Play selected pattern.
- D. Delete color from selected pattern.
- E. Slide left and right to dim or brighten lights.
  1. Fade to each color.
  2. Jump to each color, no fade.
- F. Click here to choose new color.
- G. Add new color to any pattern.



- A. Bluetooth™ identifier, this number should match the number tagged to your controller..
- B. Connect to device matching the number tagged to your Bluetooth™ controller.

## C. USING THE ZONES



**NOTE: \*Multiple controllers are required for multiple zones. Each controller is a "ZONE". If you only have 1 controller then you can disregard**

1. In the App Go to "BT DEVICES" tab, connect to device(s).
2. Go to "ZONE SELECTOR". There is a default "HOME" zone.
3. To edit zone names click the pen icon, a popup window shows where to enter text.
4. The select/unselect feature sets what zones are targeted when commands are sent. Any number of zones can be selected. If no zones are selected, device will not receive commands.
5. To add devices to a zone, click "DEVICES", click Add to assign them to the current zone. Use the "REMOVE" button to remove device from zone, and allow it to be assigned to a different zone. Rename the zone to something friendlier if desired.
6. Select/Unselect is used to keep the device assigned to the zone, but not have it receive commands with the other devices in the zone.
7. Devices that are unassigned always receive commands regardless of what zone is selected. Until they are added and removed from a zone.

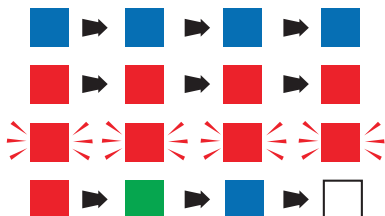


Multiple controllers can be installed and will be listed on this page. Each controller can be isolated here.

## TROUBLE SHOOTING

### LED LIGHTS/ CONNECTION INFO:

1. Scroll Blue for BLE Connection
2. Scroll RED for BLE Disconnection
3. Blink RED for OVER CURRENT
4. RED-> GREEN-> BLUE-> WHITE scroll (in order) on power up.



1. Verify the device is powered. Verify the phones Bluetooth is turned on. **Please do not connect the Bluetooth controller through your Bluetooth setting. Use the APP only.**
2. If it does not automatically connect, exit APP from the background, power off the controller for 10 seconds, reopen the APP after the controller has been powered on.
3. You may need to turn on your devices location services.
4. Verify power source is charged/correct voltage.
5. Keep your phone and the controller no more than 30 FT apart for initial setup.
6. Verify that no other devices is within range are connected.
7. You may need to clear your caches.
8. Ensure controller is mounted in a cool area.