



Important: Read all instructions prior to installation.

POQUITO Transom Light | Single Color

FEATURES

316L Marine Grade Stainless Steel
Polycarbonate Lens
5 Ft Power Wire (18AWG)
Over-Temp Protection
Waterproof IP68

SPECIFICATIONS

POQUITO Transom Light Single Color	
Input Voltage	9 ~ 15 V DC
Current Draw	SEE TABLE A (AT RIGHT)
Total Power Consumption	51.3W @ 13.5VDC
Operating Temperature	-22°F~-122°F (-30 C~50 C)
Available Colors	Red, Green, Blue, Cool White
LED Lifetime	50,000 Hours
LED Brand	5W CREE
Warranty	Limited Lifetime
Dimensions	Length 8.5in (216cm), Width 1.73in (4.4cm) Thickness 0.49in (1.25cm)
Weight	1.54lb (0.7kg)

PARTS INCLUDED

- 1- POQUITO Underwater Boat Light (PL-UWL-60)
- 2- M4 Machine screws
- 2- M4 Flat washers
- 2 - M4 Locking Nuts
- 2 - M4 Self Tapping screws
- 2- Neoprene washers

RECOMMENDED TOOLS (Not Included)

Drill and Drill Bits
#2 Phillips Screwdriver
Heavy Grit Sandpaper
Pencil (**Wax Pencil recommended for fiberglass**)
Acetone
Lint Free Cloths
Masking Tape
Marine Sealant (ie. 3M® 4200) rated for underwater usage

INSTALLATION INSTRUCTIONS

1. Disconnect battery. Determine desired mounting location on boat transom. Recommended mounting depth between 6-8" below waterline for the best effect. (See IMAGE A on reverse). Be sure that mounting location is free of any obstructions before drilling. Mark center of desired location.
2. Drill 3/8" through hole in the center of desired location and feed power wire through hole into boat. Hold the light flush against transom, mark the location for mounting screws, then remove light. Drill pilot holes for mounting screws to prevent cracking in fiberglass. Optional: Using a pencil lightly trace the perimeter of the light. Then install masking tape on the outside of this line. Leave the line exposed.
3. Remove any debris from drilling. Use sandpaper to abrade both the boat mounting surface and the back of the light. Clean the area using **Acetone** and a lint free cloth. Do not use other solvents like Alcohol.
4. Apply a uniform layer of underwater rated marine sealant (ie 3M® 4200) to the back side of light with at least one inch around the wire connection. Also apply marine sealant to the transom surface around pilot and through the holes. It must be completely sealed around the wire stub. (see IMAGE B on reverse).
5. Feed power wire back through 3/8" hole into boat and press light against transom using uniform pressure. Install mounting screws with included neoprene washers and tighten light to transom.
6. Use sealant that has squeezed out from beneath light to create complete seal around the outer edge of light. Remove any excess sealant. Remove the tape if you chose to tape off around.
7. (See wiring diagram on reverse) Connect red wire (+) from the light to a switch. Connect the switch through a fuse to your battery. Connect black wire to negative battery terminal (-). Marine grade heat shrink along with soldered connections are recommended.
8. Reconnect battery and test lights. Ensure light is attached to hull and that marine sealant has **FULLY** cured prior to putting the boat in water. Lights may be tested briefly while out of water.

**** Not following steps 3-4 correctly will eventually lead to moisture intrusion inside the light. The lack of adhesion will be evident once removed and the failure will NOT BE COVERED under Warranty****



TABLE A

Lights below are listed individually

Part #	LED Color	Raw Lumens*	LED Chips	Volts	Current Draw (Fuse Size)
PL-UWL-60W-RD-S	RED	3,528LM	12 @ 5W CREE®	9-15V DC	3.7A @ 12.9V DC
PL-UWL-60W-BL-S	BLUE	3,528LM	12 @ 5W CREE®	9-15V DC	3.7A @ 12.9V DC
PL-UWL-60W-GR-S	GREEN	3,780LM	12 @ 5W CREE®	9-15V DC	3.8A @ 12.9V DC
PL-UWL-60W-CW-S	COOL WHITE	4,650LM	12 @ 5W CREE®	9-15V DC	3.8A @ 12.9V DC

CAUTION

- 12V DC ONLY - DO NOT USE ON A 24V DC SYSTEM.

• Corrosion of any metal will be will aggressive if installation is not performed correctly, if bonding is not done the right way, or if stray currents are active in the vicinity of the boat. We are not liable for defects related to corrosion.

TIP: Know your hull; most common type is fiberglass. Wood, metal and carbon fiber are other less common hull types. For metal or carbon fiber hull, first be sure to mount an insulating material between the metal or carbon fiber surfaces and lights to prevent galvanic corrosion. If uncertain about your hull type, please contact the boat manufacturer for assistance.

WARRANTY

If your POQUITO Underwater Boat Light is defective, please notify us at PlashLights. We will repair or replace your POQUITO Underwater Boat Light without charge. Products repaired or replaced under our warranty will be warranted for the unexpired portion of the warranty applying to the original product(s). Any liability for consequential and incidental damages is disclaimed. Our liability in all events is limited to, and will not exceed, the purchase price paid.

For Technical Questions
Please Call: 1-855-661-1002 Ext. 3
Mon-Fri 10am-5pm CST
Support@plashlights.com



User Manual

Part Number:

PL-UWL-60

**SINGLE
COLOR**

Important: Read all instructions prior to installation.

POQUITO Underwater Boat Light

IMAGE A

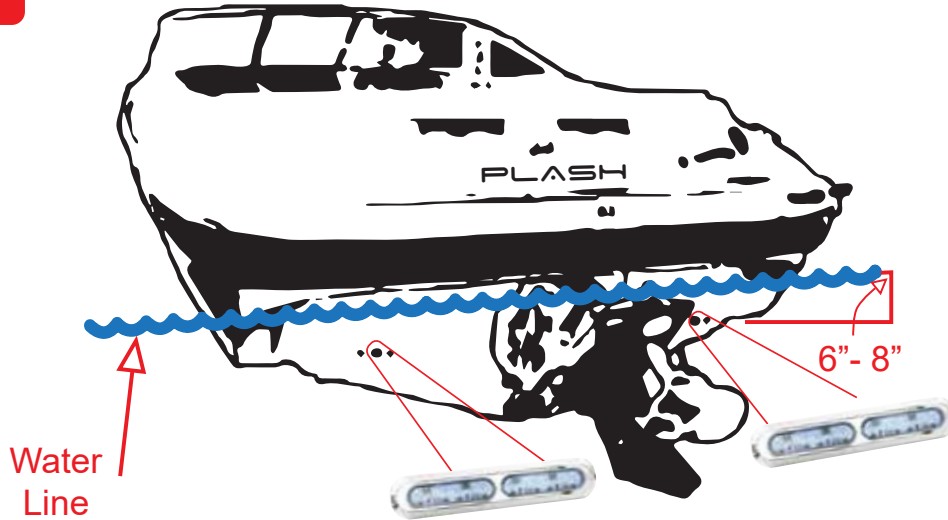
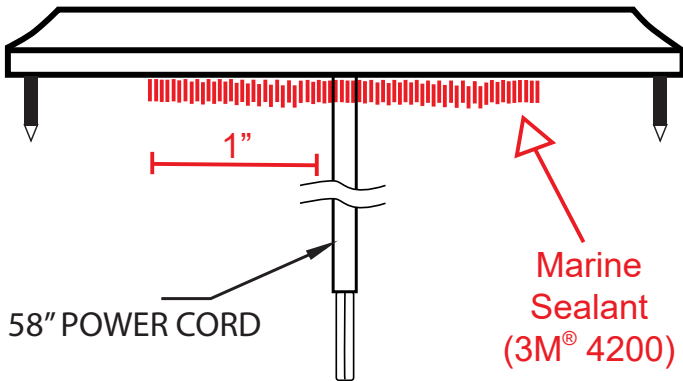
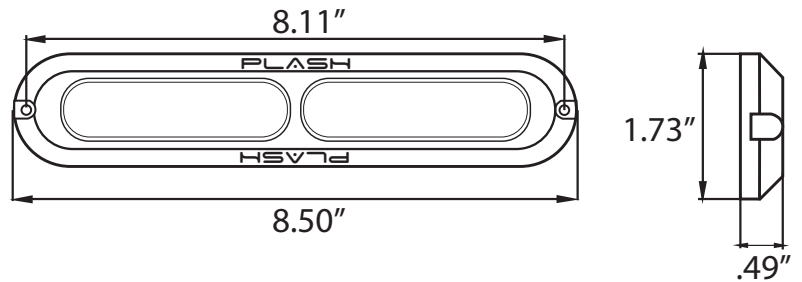


IMAGE B

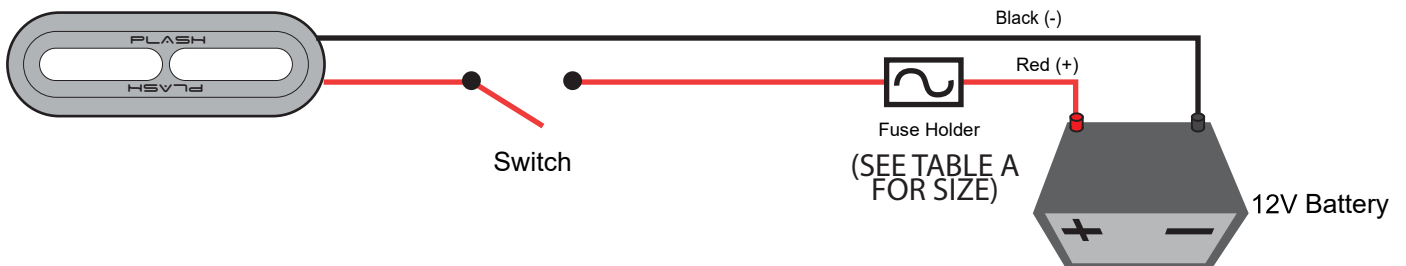


DIMENSIONS



WIRING DIAGRAM

**If you need to extend the power wire, make sure you use larger gauge wire.



12V DC ONLY - DO NOT USE ON A 24V DC SYSTEM

For Technical Questions Please Call: 1-855-661-1002 Ext. 3
Mon-Fri 10am-5pm Central Time