



PRODUCT SPECIFICATIONS

MARINE PUSH BUTTON SWITCH

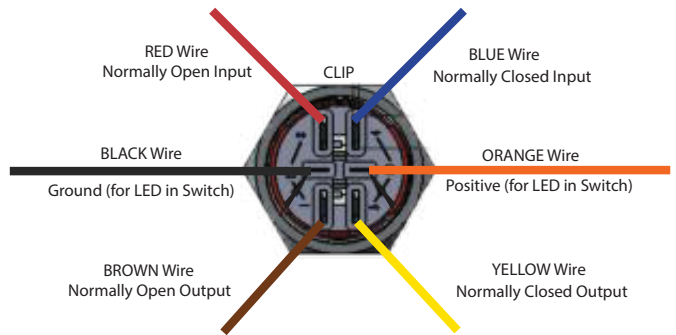
SPECIFICATIONS

• Part Number	PL225-(M/L)-COLOR
• Product Name	Push Button Switch
• LED Color	R, G, B, A, W, Dual, RGB
• LED Voltage	12V
• Operation Temperature	-4F~140F
• Mechanical Life	>500,000 Cycles
• Operation Humidity	10% - 99%
• Input Voltage	3-250VDC/AC
• Input Current	≤15A
• Contact Resistance	≤25m
• Insulation Resistance	≤100m
• LED Life	40,000hrs
• Water Resistance	IP67 IK10
• Contact Material	Silver Plated Gold
• Material	Stainless Steel 304
• Contact Configuration	1NO1NC
• Operation Type	Momentary/Latching

FEATURES

- Stainless Steel Housing - No Rust
- 22mm (7/8") Diameter Button
- LED Backlit Ring in Your Choice of Colors
- Silky Smooth Movement
- Removable Clip for Wiring Harness
- 9ft of 14AWG Wiring for a Simple Installation
- Fits a 7/8" Hole
- Plash Lifetime Warranty

WIRING DIAGRAM



NOTES

- Connect the orange wire to the input wire for the LED to be constantly on
- Connect the orange wire to the output wire for the LED to be on when pressed
- Normally Open (NO): **MOST COMMON** - does not allow current to flow through it in its normal state (when it is not compressed or activated). [Example: light switch] for this option remove the **Blue and Yellow** wires.
- Normally Closed (NC): allows current to flow through it in its normal state (when it is not compressed or activated). [Example: emergency stop]

DIMENSIONS

