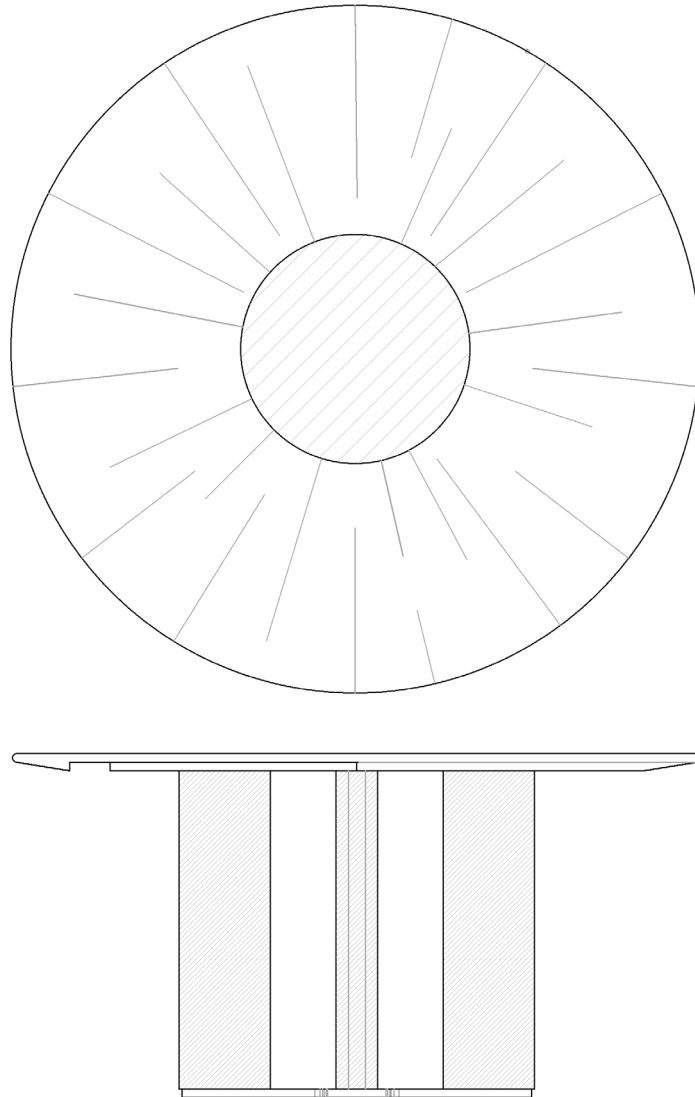


QUINTUS



HARMON DINING TABLE - 60" DIA

T122-2

60 Diameter x 30H

Available with 1-20" leaf

Wood: Walnut or Oak

designed by elisa carlucci