

CADDigger Kits and Accessories

MetKit's capability to make accurate parts led us to develop these new accessories for the CADDiggers.



Visit our website at www.metkit.com

CADDigger Accessories

MetKit's capability to make accurate parts led us to develop these new accessories for the CADDiggers.

Precision
Burnouts

The Ripper

You've seen the ripper shank on the back of large track machines before. They have them because the concentrated force on the single shank can tear through buried materials quickly.

Now you can have that advantage on your CADDigger. Even 5400 pounds of ripping power can be challenged when that force is distributed across a 18" bucket width. Roots, stumps and other buried obstacles are easily removed when all of the force is concentrated at one point. That is the reason MetKit has developed The Ripper.

Buried objects are easily removed when the ripper is installed in place of the bucket. The over 22" long, 3/4" thick, 36,000 psi yield A36 steel shank acts like a "Super Wrecking Bar". Get the Ripper under an object and hydraulically "pry" the shank to create many times the ripping power of the bucket alone. The Ripper gives you the power to rip through or move many things the bucket can not.

Four models of the Ripper have been developed. Select yours based on the backhoe you have.

608, 610, 628 Use the Model 600R

708, 710, 728 Use the Model 700R

808, 810, 821, 831, 841 use the Model 800R or 800TH*

*the 800 TH is the model shown to the right specifically developed for use with the CADThumb.

The Model 600R works with or without the Thumb.

Your Ripper Kit will come with instructions for assembly.

- Two Pin Installation
- Easy On & Off
- Simple Fabrication
- Self Fixturing Design
- Precision Cut Burnouts
- All Steel Supplied including 2 pins
- Instructions Included



Visit our website at www.metkit.com

Select your Ripper Kit, ready to weld;
Model

600R —	\$220 Shipping included in the continental U.S
700R —	\$220 Shipping included in the continental U.S.
800R —	\$220 Shipping included in the continental U.S
800TH —	\$240 Shipping included in the continental U.S

Note: For customers who wish to adapt The Ripper to other backhoes, we recommend using the Model 800R.

The Ripper!



The Model 600R and 800R parts

Use The Ripper On;

- Stump Removal
- Root Removal
- Abandoned Water Lines
- Large Rocks
- Baked Clay Soil

MetKit Corp 1125 Delaware St Salem VA 24153
PHONE 540-387-4995 FAX 540-387 4997

The 18 inch Rounded bucket is shown.

800 Series Rounded Bucket

Many customers have asked for a larger volume bucket for use with the 800 Series CADDiggers.

MetKit now offers 2!

Choose from 15 or 18 inch wide.

The preformed back and the precision flame cut parts make fabrication of the Rounded Bucket a short project. Precut pins, abrasion resistant edge and teeth included.



*The
800 Series
Rounded
Bucket!*

800 Series Rounded Bucket kit —

15" — \$249

18" — \$279

delivered in the Continental US.

Splitter and Bucket

- Two Pin Installation
- Easy On & Off
- Simple Fabrication
- Self Fixturing Design
- Precision Cut Burnouts
- All Steel Supplied including 2 pins
- Instructions Included

Lets Split Wood!

Spending \$1000 or more on a splitter doesn't save you money on your heating bill. MetKit customers asked for a cost effective woodsplitter kit so we came up with the 800S.

Turn your CADDigger Model 821 (or other CADDigger) into a powerful woodsplitter.

The 800S was developed as the lowest cost way MetKit could offer a woodsplitter kit. Simply weld the frame together, put the boom cylinder in from your 800 Series CADDigger, and you have a 7 ton, 20 inch woodsplitter! Split 10 to 12 inch diameter, 20 inch long wood with the 12 second cycle time.

800S Splitter kit — \$229 delivered in the Continental US.

Don't have an 800 Series CADDigger? No Problem!

MetKit can supply the correct cylinder with your 800S splitter kit so you can run your splitter from almost any machine with hydraulics available.

Call for pricing.

The quality parts in the 800S splitter makes assembly a snap. You can build the 800S in the morning and split wood in the afternoon.

The 800S Splitter

Anybody who has a backhoe knows the tremendous force of the hydraulic cylinders. Many MetKit customers have asked for a hydraulic splitter. We have combined these two into a rock bottom cost woodsplitter.

The Model 800 Splitter is a unique steel frame that you simply pin the 800 Series CADDigger main boom cylinder into and you are ready to split wood. The 800 Splitter utilizes all of the components already on the CADDigger so you are not buying them twice.

A 12 second combined extend/retract cycle time makes fast work of your splitting requirements. 7 tons of splitting force combined with the unique wedge design offers the user a unique labor saving tool at a very reasonable cost.



**The unique frame design of the
800S "cradles" the wood.**

*The
800S!*

MetKit Corp 1125 Delaware St Salem VA 24153
PHONE 540-387-4995 FAX 540-387 4997

A MetKit Combo! Save Over \$500!

The burger joints offer a COMBO so we thought you might like a combo of our most popular kit, the CADDigger Model 821!

*You get The CADDigger Model 821 Everything Kit,
Super Boom,
Thumb,
800S Splitter,
800Th Ripper
including shipping!
\$4180 (east coast)
\$4480 (west coast)
AND*



To order call
1-540-387 4995 and tell us
you want the 821 Combo.

Over \$500 in savings! Note: Offer available for a limited time only.

Building Your Own Design ?

*MetKit can supply many of the items you need.
Visit www.metkit.com and click ot Catalog of Parts
for detailed information and pricing.*

Visit our website at www.metkit.com



*MetKit Corp 1125 Delaware St Salem VA 24153
PHONE 540-387-4995 FAX 540-387 4997*

CADTrac–CADplans Newest Plan set
See page 2 for more info on CADTrac.

**CADTrac Plans
Are Complete for
the Tractor and
Loader!**



**Yes, it has a backhoe
Attachment available!**
see page 5 for more info on
CADDigger Model 650



CADDigger Model 841–
The Landscape Contractors
Dream Machine see page 10
for more info on the Model 841.

CADplans Corp–
Your source for the plans you need
to “Build It Yourself– When Only
The Best Will Do!”

VISIT OUR WEBSITE
at www.cadplans.com



**Extend-A-Hoe? Yes!
Thumb ? Yes!**

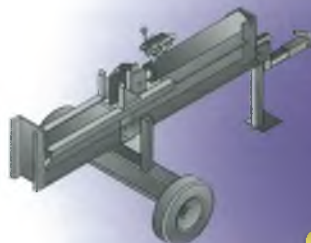
Inside the CADplans News

CADTrac	page 2
CADDiggers (600)	page 4
CADDiggers (700)	page 6
CADDiggers (800)	page 8
CADDiggers (841)	page 10
CADLoaders	page 12
Other Plans	page 14
Customer Photos	page 18
MetKit Corp.	page 28

email cadplans@aol.com

Questions:
1-540-992-4758
Orders:
1-800-211-4255

Visit us on the internet
<http://www.cadplans.com>



**CADplans Corp. has a
roundup of plans that
fits your needs.**

Check inside for details.



After numerous requests CADplans has developed CADTrac, the articulated, 4 wheel drive, multipurpose tractor you can build using a welder, bandsaw, drill press, torch, common hand tools and commonly available parts. The all-hydraulic drive of CADTrac eliminates the belts, chains, transmissions, gears and sprockets associated with other machines of this type.

CADTrac is intended for use by the homeowner, farmer, landscaper, plumber or electrician. Articulated steering means the machine steers by bending in the middle like the large rubber tire loaders typically seen in gravel pits and other truck loading applications. CADplans selected this concept for steering to minimize the damage to the grass or other surfaces the machine must go over to get to the worksite. Skidsteer and track type machines do much damage to the grass as they turn. CADTrac's series-parallel connection of the hydraulic motors causes the motors to act as the differential axle normally used in a tractor. In addition, the hydraulic wheel drive is designed to act as a limited slip.



CADTrac uses common tractor hitch parts that are available at most farm supply stores to form an articulated joint that allows CADTrac to steer right and left as well as allowing the traction tires to follow uneven terrain. This joint allows one tire to be as much as 10 inches out of level with the other tires while keeping traction to all four tires.

The unique keel type frame of CADTrac is made of 3x3 square tube. The use of this material allows the frame of CADTrac to act like a receiver hitch similar to the receiver hitch on a pickup truck. CADTrac has this receiver on both the front and rear. This allows for quick installation of attachments. Simply pull a pin and the CADTrac drives away from the attachment. No tools, wrenches, or jacks required. Using a simple adapter tube, the receiver can be used with any receiver attachments now used on pickup trucks. Add

a ball hitch to the front or rear for moving trailers. Add a carrier to move firewood or other cargo. Add a pintle hook for quick attachment of a chain for pulling. Mount a winch to the receiver

for serious pulling. Add a hitch mount to pull your utility yard trailer. In addition, CADTrac has up to 1000 pounds of drawbar pull to give you the power you need to use these and other attachments.

CADTrac also has hydraulics. Hydraulics to power a backhoe. Hydraulics to power the loader. Hydraulics to power a woodsplitter or other attachments. CADTrac has the hydraulic flow and pressure to make these attachments work quickly and respond to operation of the conveniently located controls. CADplans supplies the hydraulic schematic so you can quickly connect the hydraulics with no knowledge of hydraulics. Simply follow the drawings and CADTrac is up and running FAST! Your plans will also specify all of the motors, valves, pumps and engines so your CADTrac will function properly without you having to "research" these components.





To make your fabrication even easier, CADplans has even arranged to have MetKit Corp offer any or all of the materials and components you need to build CADTrac. Buy some of the parts or the complete kit. You decide how to acquire the materials in CADTrac. MetKit even offers a steel kit with all parts precut and predrilled, ready for you to start assembly. MetKit can ship these kits by UPS direct to your home or business so you will not have to worry about how to get the materials to you. MetKit offers everything from the tires to the seat to make your construction simple. MetKit can even supply steel custom cut to your requirements so you can make the custom attachment you want.

CADTrac's unique series-parallel hydraulic drive insures you put the power to the ground. If the front axle slips, the power is transferred to the rear axle. If the rear axle slips, the power goes to the front axle. The center-pivoting frame insures the wheels stay on the ground for maximum traction. The wide profile large bar tires designed into CADTrac give excellent traction in everything from sand to mud yet minimizes turf damage when on delicate lawns.

CADTrac can even be more versatile with the use of other attachments like CADDigger, CADSplitter or CADPull. CADTrac's hydraulics powering CADSplitter allows you to make quick work of your firewood needs. CADPull lets you connect CAT I attachments such as a scraper blade or rake and quickly complete the tasks you need to do. The lift arms of CADPull can even be powered by CADTrac's hydraulics giving you attachment control right from the operator's seat.

One of the best features of CADTrac is the **low cost**. CADTrac typically costs 1/3 or less of a comparably sized tractor. Since you build CADTrac, you insure quality, and should the need arise, you will know how to service anything in the machine.

CADTrac has **9" of ground clearance** to let you go over rough terrain and obstacles. Moreover, should you encounter something higher, CADTrac's drive components are skid plate protected allowing you worry free operation on rough terrain.

For ease of construction, ruggedness and handling, CADTrac is designed with thick section metals. This thick metal is easier to weld and gives the **durability** you need. Also the thicker metals gives you the machine weight necessary for traction, keeps the center of gravity low and insures no frame flexing occurs when you use CADTrac.

The plans include details for the CADTrac with loader as show in the accompanying photos.

SPECIFICATIONS:

HP	18
WHEELBASE	48"
WIDTH OF TIRES (OUTSIDE)	48"
WEIGHT AS SHOWN	1650 POUNDS
WHEEL SIZE	15"
TIRE SIZE	27" TALL
PUMP	16 GPM
TRANSMISSION	NONE
WHEEL DRIVE	FOUR 32 CU IN HYDRAULIC MOTORS
4 WHEEL DRIVE	FULL TIME
WIDTH OF BUCKET	48"
FRONT AND REAR DIFFERENTIAL	HYDRAULIC
GROUND SPEED	VARIABLE UP TO 3.5 MPH
BUCKET LIFT CAPACITY	500 POUNDS



CADTrac can be powered by a larger engine, but the machine power will not be increased.
CADTrac Model 1500 Plans—**\$199.95 s&h included** Order by credit card, check or money order

CADplans has developed the 600 Series of machines to fit the needs of the landscaper, plumber and electrician. Similar to our other plans, the 600 Series can be built by the homeowner, no machining necessary.

The Model 608 fits the "mini-diesel" or larger Category 1 hitch equipped tractors. You power it from the tractor hydraulics or add a PTO pump.

The Model 628 is a freestanding version of the 600 Series that needs no tractor. As a freestanding it can move itself around the worksite using the bucket, or move the wheels to the opposite end and tow the Model 628 to the next worksite.

The Model 610 is the Model 608 plus plans to convert the Model 608 to freestanding. In this form the Model 610 performs like the Model 628: self moving and convertible to a towable or 3 point hitch version.



CADDigger 608



CADDigger 628

The 600 Series has five feet of digging depth and a bucket width of 5 1/2" to 15" making these machines perfect for the many jobs. Low cost easily available components, insures simple construction.

The smaller size of the 600 Series keeps your costs down and guarantees the machine can fit where it needs to go. Easy storage is also a benefit of the size of the 600 Series.

Most customers build at least 2 sizes of buckets. The plans include instructions for a 5 1/2" and a 15" width bucket. The buckets are easily changed by pulling 2 pins.

The drawings are easy to understand. CADplans has spent the time making the design of the 600 Series easy to fabricate. No micrometers or milling machines required. Simply

cut and weld. The CADDigger 600 Series machine is up and running FAST! Your plans will also specify all of the valves, pumps and engines so your CADDigger will function properly without you having to "research" these components.

To make your fabrication even easier, CADplans has even arranged to have MetKit Corp offer any or all of the materials and components you need to build your CADDigger. Buy some of the parts or the complete kit. You decide how to acquire the materials. MetKit even offers a steel kit with all parts precut and predrilled, ready for you to start assembly. MetKit Corp can ship these kits by UPS direct to your home or business so you will not have to worry about how to get the materials to you. MetKit offers everything from the tires to the seat to make your construction simple.

MetKit will even supply steel custom cut to your requirements so you can make the custom attachment you want.



CADDigger 628

One of the best features of the CADDigger is the low cost. CADDigger typically costs 1/4 or less of a comparably sized machine. Since you build CADDigger, you insure quality and should know how to service anything in the machine.

The large tires of the freestanding versions of the 600 Series lets CADDigger move easily around the jobsite. Other machines of this type have small tires, limiting their capability to get over the "mounds and humps" that are there when you are digging.

For ease of construction, ruggedness and handling the 600 Series is designed with thick section metals. This thick metal is easier to weld and gives the durability you need. Also the thicker metals gives you the machine weight necessary to keep the center of gravity low and insures no frame flexing occurs when you use your CADDigger.

The CADDigger Model 650 is designed specifically for the CADTrac. The Model 650 is like the other 600 Series CADDiggers except for a few unique features.. The 650 slides into the CADTrac's keel frame tube and is held in place by 2 bolts. It is powered by the CADTrac's hydraulics. It also has hydraulic stabilizers. The addition of the Model 650 makes CADTrac a unique excavating machine. To remove the Model 650 you remove 2 bolts, pull one pin, uncouple the hydraulics and drive CADTrac away. The Model 650 is shown on Page 17.

SPECIFICATIONS:	608	628	610	650
HP	N/A	5	5	N/A
WIDTH AT STABILIZERS	78"	78"	78"	
WITHOUT STABILIZERS	37"	37"	37"	48"
SEAT HEIGHT	36"	36"	36"	40"
LOADING HEIGHT	60"	60"	60"	60"
MINIMUM LENGTH	40"	77"	81"	45"
FRAME LENGTH	27"	64.5"	69"	27"
REACH	93"	93"	93"	93"
DIGGING DEPTH	60"	60"	60"	60"
RIPPING POWER	2600 POUNDS	2600 POUNDS	2600 POUNDS	2600 POUNDS
LATERAL SWING	120 DEGREES	120 DEGREES	120 DEGREES	120 DEGREES
OPERATING PRESSURE	2000 PSI	2000 PSI	2000 PSI	2000 PSI
OIL TANK	N/A	2 GALLONS	2 GALLONS	CADTRAC
WEIGHT AS SHOWN	500 #	650#	660#	550#
WHEEL SIZE	N/A	14" OR 15"	14" OR 15"	
TIRE SIZE	N/A	27" TALL	27" TALL	
PUMP	TRACTOR	2 GPM	2 GPM	CADTRAC
WIDTH OF BUCKET	5 1/2"-15"	5 1/2"-15"	5 1/2"-15"	5 1/2"-15"
CADDIGGER PLANS-	\$119.95	\$119.95	\$139.95	\$139.95

Order by credit card, check or money order s&h included

CADDigger Model 508 - Category "0" version

The CADDigger Model 508 is identical to the Model 608 except:

- 1) Designed for Category "0" hitch equipped garden tractors
- 2) Machine weight is 400 pounds
- 3) Digging depth is 4 1/2 feet
- 4) 5 1/2" to 10" wide bucket
- 5) 1200 psi operating pressure

CADDigger Model 508 Plans-\$119.95

NOTE: Some customers rigid mount the Model 508 to their tractor frame if they do not have a 3 point hitch. This is not detailed in the plans, but, it is easily done.



The CADDigger Model 728 was the first CADDigger and still is very popular. Similar to our other plans the 700 Series can be built by the homeowner, no machining necessary.

The Model 708 fits the 2000 pound or larger Category 1 hitch equipped tractors. You power it from the tractor hydraulics or add a PTO pump.

The Model 728 is a freestanding version of the 700 Series that needs no tractor. As a freestanding it can move itself around the worksite using the bucket, or move the wheels to the opposite end and tow the Model 728 to the next worksite.

The Model 710 is the Model 708 plus plans to convert the Model 708 to freestanding. In this form the Model 710 performs like the Model 728, self moving and convertible to a towable or 3 point hitch version.



CADDigger 728

Up to seven feet of digging depth and a bucket width up to 14" makes these machines perfect for the mid size jobs. Low cost easily available components insures simple construction.

The mid size of the 700 Series keeps your costs down and but still offers the longer reach of a larger backhoe.

Most customers build at least 2 sizes of buckets. The buckets are easily changed by pulling 2 pins. This adds to the versatility of the CADDigger 700 Series. The drawings are easy to understand. CADplans has spent the time making the design of the 700 Series easy to fabricate. No micrometers or milling machines required. Simply cut and weld. The CADDigger 700 Series machine is up and running FAST! Your plans will also specify all of the valves, pumps and engines so your CADDigger will function properly without you having to "research" these components.



CADDigger 708

To make your fabrication even easier, CADplans has arranged to have MetKit Corp. offer any or all of the materials and components you need to build your CADDigger. Buy some of the parts or the complete kit. You decide how to acquire the materials. MetKit even offers a steel kit with all parts precut and predrilled, ready for you to start assembly. MetKit Corp. can ship these kits by UPS direct to your home or business so you will not have to worry about how to get the materials to you. MetKit offers everything from the tires to the seat to make your construction simple. MetKit will even supply steel custom cut to your requirements so you can make the custom attachment you want.

One of the best features of the CADDigger is the low cost. CADDigger typically costs 1/4 or less of a comparably sized machine. Since you build CADDigger you insure quality and should the need arise, you will know how to service anything in the machine.



CADDigger 708

The large tires of the freestanding versions of the 700 Series lets CADDigger move easily around the jobsite. Other machines of this type have small tires, limiting their capability to get over the "mounds and humps" that are there when you are digging.



For ease of construction, ruggedness and handling the 700 Series is designed with thick section metals. This thick metal is easier to weld and gives the durability you need. Also the thicker metals gives you the machine weight necessary to keep the center of gravity low and insures no frame flexing occurs when you use your CADDigger.

CADDigger NOTE: Reach is the distance the CADDigger can place the bucket straight out in front of the CADDigger. It is measured from the pivot to the bucket teeth on level ground.

SPECIFICATIONS:	708	728	710
HP	TRACTOR POWERED	7	7
WHEELBASE	N/A	84"	84"
WIDTH AT STABILIZERS	84"	84"	84"
WIDTH WITHOUT STABILIZERS	31"	31"	31"
SEAT HEIGHT	40"	34"	40"
LOADING HEIGHT	64"	64"	64"
MINIMUM LENGTH	74"	120"	124"
FRAME LENGTH	32"	80"	84"
REACH	122"	122"	122"
DIGGING DEPTH	72"*	72"*	72"*
RIPPING POWER	3000 POUNDS*	3000 POUNDS*	3000 POUNDS*
LATERAL SWING	120 DEGREES	120 DEGREES	120 DEGREES
OPERATING PRESSURE	1500 PSI*	1500 PSI*	1500 PSI*
OIL TANK	TRACTOR OR 2 GALLON	3 TO 5 GALLON	3 TO 5 GALLON
WEIGHT AS SHOWN	800 #	1000#	1100#
WHEEL SIZE	N/A	14" OR 15"	14" OR 15"
TIRE SIZE	N/A	27" TALL	27" TALL
PUMP	TRACTOR OR PTO	4 GPM	4 GPM
WIDTH OF BUCKET	6" TO 14"	6" TO 14"	6" TO 14"
CADDIGGER PLANS-	\$119.95	\$119.95	\$139.95

Order by credit card, check or money order

*High Performance Upgrade Available

The 700 Series Digging Depth, Ripping Power and Operating Pressure can be upgraded to 7 feet, 4000 pounds, and 2000 psi respectively with special High Performance cylinders offered by MetKit. Contact MetKit for details at **1-540-387-4995**. Only the 700 Series machines are upgradeable in this way. Ask for the High Performance Option.

After many calls from Minnesota and Wisconsin asking for a machine that could dig to 9 feet, the CADDigger 800 Series was developed. When development started, it was decided that this series would have greater ripping power than previous series. It would have 12 feet of reach. 9 feet of digging depth. 5400 pounds of ripping power. The CADDigger 800 Series was ready to do the most a machine this size possibly could. Similar to our other plans the 800 Series could be built by the homeowner, no machining necessary.



CADDigger 808

The Model 808 fits the 3000 pound or larger Category 1 or 2 hitch equipped tractors. You power it from either the tractor hydraulics or add a PTO pump.

The Model 821 is a freestanding version of the 800 Series that needs no tractor. As a freestanding unit it can move itself around the worksite using the bucket, or move the wheels to the opposite end and tow the Model 821 to the next worksite.

The Model 810 is the Model 808 plus plans to convert the Model 808 to freestanding. In this form the Model 810 performs like the Model 821, self moving and convertible to a towable or 3 point hitch version.

Nine feet of digging depth and a bucket width up to 18" makes these machines perfect for the larger jobs. Low cost easily available components, insures simple construction.

Surprisingly, the larger size of the 800 Series costs only a little more than the 700 Series. One more cylinder, a little more steel, a few extra hoses and a larger engine are all that it takes to build a 800 Series CADDigger compared to a 700 Series. The larger 800 Series machines do take more space to store.

Many customers ask if they should build this Series of machine. If you have clay or hardpan, the 800 series is the machine to have. Digging around ponds or other tasks where the long reach of the 800 Series is an advantage, makes this size the machine to build.



CADDigger 821

Stumps are the other job that the 800 Series easily handles. Sure the smaller series machines can do this too, but not as fast as with the ripping power of the 800 Series.

Most customers build at least 2 sizes of buckets. The buckets are easily changed by pulling 2 pins. This adds to the versatility of the CADDigger 800 Series.

The drawings are easy to understand. CADplans has spent the time making the design of the 800 Series easy to fabricate. No micrometers or milling machines required. Simply cut and weld. The CADDigger 800 Series machine is up and running FAST! Your plans will also specify all of the valves, pumps and engines so your CADDigger will function properly without you having to "research" these components.



CADDigger 821

To make your fabrication even easier, CADplans has even arranged to have MetKit Corp. offer any or all of the materials and components you need to build your CADDigger. Buy some of the parts or the complete kit. You decide how to acquire the materials. MetKit even offers a steel kit with all parts precut and predrilled, ready for you to start assembly.



CADDigger 821

MetKit Corp. can ship these kits by UPS direct to your home or business so you will not have to worry about how to get the materials to you. MetKit offers everything from the tires to the seat to make your construction simple. MetKit will even supply steel custom cut to your requirements so you can make the custom attachment you want.

One of the best features of the CADDigger is the low cost. CADDigger typically costs 1/4 or less of a comparably sized machine. Since you build CADDigger you insure quality and should the need arise you will know how to service anything in the machine.

The large tires of the freestanding versions of the 800 Series lets CADDigger move easily around the jobsite. Other machines of this type have small tires, limiting their capability to get over the "mounds and humps" that are there when you are digging.

For ease of construction, ruggedness and handling the 800 Series is designed with thick section metals. This thick metal is easier to weld and gives the durability you need. Also the thicker metals gives you the machine weight necessary to keep the center of gravity low and insures no frame flexing occurs when you use your CADDigger.

The Model 831 is identical to the Model 821 except it has the Split Hydraulics designed in.

SPECIFICATIONS: 808, 821, 831, 810

HP	10 MINIMUM (18 FOR THE 831)
WIDTH AT STABILIZERS	88"
WIDTH WITHOUT STABILIZERS	61"
SEAT HEIGHT	36"
LOADING HEIGHT	86" (7 FEET 2 INCHES)
REACH	144" (12 FEET)
DIGGING DEPTH	108" (9 FEET)
RIPPING POWER	5400 POUNDS
LATERAL SWING	120 DEGREES
OPERATING PRESSURE	2000 PSI
OIL TANK	5 GALLONS
WEIGHT AS SHOWN	1450 POUNDS (MODEL 808 1000 POUNDS)
WHEEL SIZE	14" OR 15"
TIRE SIZE	27" TALL
PUMP	6 GPM (MODEL 831, 12 GPM)
WIDTH OF BUCKET	6 1/2"-18"

Accessories for the 800 Series CADDigger

CADThumb

A Grapple attachment that allows you to easily pick up objects.

Extra Length Boom Extension

Deeper depth digging and extra reach.

Hydraulic Stabilizers

Quick touch of a control leveling.

Hard Ground Stabilizers

Gets the rear tires off the ground for more digging force.

Split Hydraulics

Reduce the cycle time of digging.

See Page 11 for these options.

CADDIGGER PLANS-	MODEL 821 \$139.95
	MODEL 808 \$159.95 (INCLUDES MODEL 821 PLANS)
	MODEL 810 \$179.95 (INCLUDES MODEL 821 AND MODEL 808 PLANS)
	MODEL 831 \$159.95 (SAME AS MODEL 821 EXCEPT SPLIT HYDRAULICS)

Order by credit card, check or money order

Landscapers started building the CADDiggers and they soon let us know that a new CADDigger was sometimes necessary. They needed a machine to get over pretty lawns without any damage. A wheel driven machine using hydraulic motors was the answer. Simplicity of fabrication and ease of acquiring parts was our main concern. The Model 841 led us to develop "split hydraulics" which are now an option for the other CADDiggers.

With split hydraulics we are able to power the CADDigger digging functions as well as power the wheels and hydraulic stabilizers. The split hydraulics gives individual control to each of the 2 hydraulic wheel motors, allowing the motors to also serve as the steering function.

The CADDigger 821 was the basis for the design. This proven CADDigger was enhanced with split hydraulics, hydraulic stabilizers and wheel drive. The result is a full featured machine that has great digging force and mobility capabilities. Also the split hydraulics makes quick work of your digging jobs as 2 controls can be operated simultaneously. Lift the boom and swing to the side at the same time. In most digging, the cycle time between buckets is cut to close to half.



CADDigger 841



CADDigger 841

The hydraulic stabilizers are individually controlled. In fact, the same lever that operates the stabilizer also operates the wheel drive motor. Simply stop the motor and actuate the stabilizers with a simple motion of the joystick. You don't even have to reach for another control.

The Model 841 is also convertible to a trailer unit like the other freestanding CADDiggers so a trailer is not needed.

Similar to our other plans the Model 841 can still be built by the homeowner, no machining necessary.

Nine feet of digging depth and a bucket width up to 18" makes these machines perfect for the larger jobs. Low cost easily available components insures simple construction.

Many customers ask if they should build the Model 841 or the Model 821. If you have rough terrain or do not mind the small marks the Model 821 stabilizers make as it moves, the Model 821 is the best value.

Digging around ponds or other tasks where lack of traction is a concern, the Model 821 is better.

If easier mobility and the added features of the wheel drive is an advantage, the Model 841 is the answer.

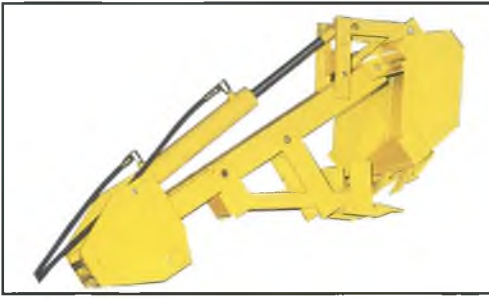
SPECIFICATIONS: FOR THE MODEL 841

SEAT HEIGHT, LOADING HEIGHT, MINIMUM LENGTH, FRAME LENGTH, REACH, DIGGING DEPTH, RIPPING POWER, LATERAL SWING, OPERATING PRESSURE - (ALL OF THESE THE SAME AS THE MODEL 821)

HP	18	WHEELBASE	48"
WIDTH AT STABILIZERS	72"	BUCKET LIFT CAPACITY	500 POUNDS
OIL TANK	5 GALLONS	WEIGHT AS SHOWN	1650 #
GROUND SPEED	UP TO 3 MPH	TIRE SIZE	8, 10, & 15"
PUMP	12 GPM	WIDTH OF BUCKET	6 1/2"-18"
WHEEL DRIVE METHOD	HYDRAULIC MOTOR FOR EACH TIRE (2)		

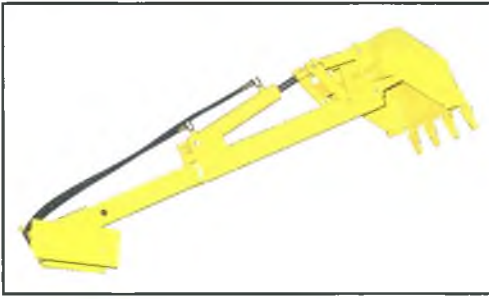
CADDIGGER MODEL 841 PLANS- \$179.95

Order by credit card, check or money order

**CADThumb**

This is the most frequently requested option. The ability to pick up objects makes the CADDigger much more versatile. The CADThumb is a pin in place option that allows the CADDigger to pick up rocks, wood or other objects 24" in diameter or less. Pull one pin and CADThumb flips out of the way for digging with the CADDigger. Pull two pins and the CADThumb is completely removed.. The CADThumb fits all 800 series CADDiggers and is easily attached to any previous 800 Series with a simple addition to the boom extension.

Plans Price: \$40.00 (or \$20.00 with any CADDigger plans purchase)
Application: Models 808, 810, 821, 831, 841, previous or new
Capacity: Up to 24" objects, lifting capacity depends on CADDigger counterweight.

**Extendable Boom Extension**

Cleaning out a ditch or pond requires all the reach possible. The Extendable Boom Extension was developed for this use. This accessory replaces the standard boom extension on any 800 Series CADDigger. Two forms of the optional extension are detailed in the plans, pin adjustable and hydraulic.

Extend the boom extension for the deep or long reach digging requirements, retract the boom extension for full power digging.

NOTE: This option can not be used with the CADThumb.

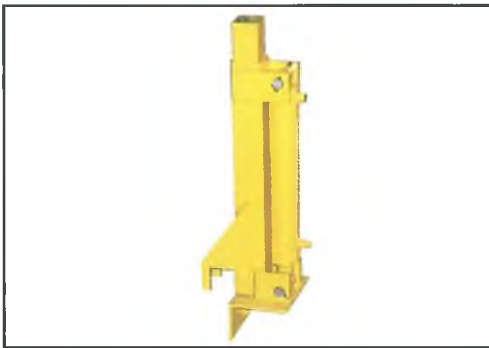
Plans Price: \$40.00 (or \$20.00 with any CADDigger plans purchase)
Application: Models 808, 810, 821, 831, 841, previous or new
Capacity: Up to 20" additional reach and digging depth.

**Hydraulic Stabilizers**

Uneven ground requires the stabilizers to be adjusted. This option allows adjustment at the touch of a control rather than pulling a pin and manually readjusting the standard stabilizers. Also when its time to convert the Model 821, 831, or 810 to trailering, the hydraulic stabilizers just flip up out of the way, simplifying the change.

These stabilizers are designed to go right on your 800 Series CADDigger. Using a power beyond valve, the control connects right into the hydraulics of your CADDigger, making hookup a snap. If installed with the Hard Ground Stabilizers, only one 4 section valve is needed to control all of the stabilizers.

Plans Price: \$40.00 (or \$20.00 with any CADDigger plans purchase)
Application: Models 808, 810, 821, 831, previous or new

**Hard Ground Stabilizers**

Yes, even a 800 Series CADDigger can encounter ground that is hard to dig. That is why we developed the hard ground stabilizers. Hard ground tends to make you lift the front stabilizers during digging. This causes the tires to roll as you curl the bucket or boom extension. Simply put down the rear Hard Ground Stabilizers and there are 4 stabilizers holding the CADDigger in place. Also the Hard Ground Stabilizers are individually adjustable, giving you even more capability to level the CADDigger in uneven ground situations. These stabilizers also help when it comes time to connect your CADDigger to your truck. Simply put down the stabilizers to raise the rear of the CADDigger.

If installed with the Front Hydraulic Stabilizers, only one 4 section valve is needed to control all of the stabilizers.

Plans Price: \$40.00 (or \$20.00 with any CADDigger plans purchase)
Application: Models 810, 821, 831, previous or new

SPLIT HYDRAULICS!

Split Hydraulics

Split Hydraulics is a system that was developed for the Model 841. We now offer these plans for any CADDigger. Its advantage is two controls can operated at the same time. Lift the boom and swing to the side at the same time. Cycle time between buckets of dirt is almost cut in half. Of course, twice the flow is required, so a larger pump and engine are required. This is all detailed in the plans. On 3 point hitch CADDiggers your tractor needs twice the recommended flow of the CADDigger you are building (or built) or you will have to add a PTO pump.

Plans Price: \$40.00 (or \$20.00 with any CADDigger plans purchase)
Application: ANY CADDigger Except Model 831 and 841, previous or new

Customers quickly asked for loader plans after we started offering backhoe plans.

First came the CADLoader Model 507. The Model 507 was designed to fit the typical garden tractor that has 23" tall rear tires. The loader frame was designed to stiffen the tractor frame rather than depend on the tractor for support.

The Model 507 is a one armed loader. This design was selected to reduce the frame weight on the front of your tractor thereby increasing the load carrying capacity.

The one arm design is rigid. No flexing occurs during use. The arm is on one side, but, the bucket is located towards the center of the tractor.



CADDigger 907

When the stiffness of the arm and the location of the bucket are combined, twisting and off center loading of the tractor are eliminated.

The CADLoader Model 507 is best suited to garden tractors that weigh 500 to 1000 pounds. The lighter tractors will require more rear weight.

The CADLoaders Model 907, 1007, and 1207 were designed for the 2 and 4 wheel drive tractors with "farm tractor like" features. The high arm design clears the larger tires of 4 wheel drive tractors and the "straight arm" design allows the use of easily available cylinders as well as higher loading heights.



CADDigger 907

The CADLoader Model 907 was developed for the "mini-diesel". This is the import tractor that weighs 1000 to 1800 pounds. It is a perfect match for the Kubota 5xxx, 6xxx, and 7xxx tractors and similar sized Yanmars, John Deeres and other imports.

We have had many customers add the Model 907 to larger garden tractors (800 pounds and more). Typically this can be done, but, we recommend using a narrower 38" bucket rather than the 48" bucket specified in the plans.



CADDigger 507



CADDigger 1007



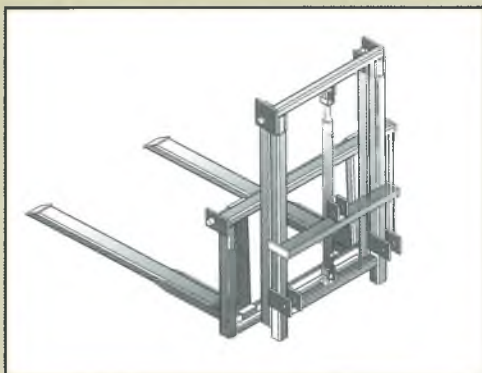
To make your fabrication even easier, CADplans has even arranged to have MetKit Corp. offer any or all of the materials and components you need to build your CADLoader. Buy some of the parts or the complete kit. You decide how to acquire the materials. MetKit even offers a steel kit with all parts precut and predrilled, ready for you to start assembly. MetKit Corp. can ship these kits by UPS direct to your home or business so you will not have to worry about how to get the materials to you.

MetKit will even supply steel custom cut to your requirements so you can make the custom attachment you want.

One of the best features of the CADLoader is the low cost. CADLoader typically costs 1/4 or less of a comparably sized machine. Since you build CADLoader you insure quality and should the need arise you will know how to service anything in the machine.

SPECIFICATIONS:	507	907	1007	1207
TYPE OF TRACTOR REQUIRED	GARDEN TRACTOR WITH 23" TALL REAR TIRES	MINI-DIESEL OR "SUPER GARDEN" TRACTOR	MID SIZE	LARGE TRACTOR
TRACTOR WEIGHT	500-800 POUNDS	900-1400 POUNDS	2000 POUNDS	OVER 3500 #
LIFTING POWER	250#	UP TO 800#	UP TO 1500#	UP TO 3000#
REACH	36"	55"	55"	75"
BUCKET ROLLDOWN ANGLE	40 DEGREES	40 DEGREES	40 DEGREES	40 DEGREES
HYDRAULIC FLOW, MINIMUM	1 GPM	2 GPM	6 GPM	8 GPM
HYDRAULIC FLOW, RECOMMENDED	2 GPM	4 GPM	8 GPM	10 GPM
HYDRAULIC PRESSURE	700 PSI	1000 PSI	2000 PSI	2000 PSI
NUMBER OF CYLINDERS	2	4	4	4
DIGGING DEPTH, BUCKET LEVEL	2"	2"	4"	4"
HYDRAULIC PUMP	TRACTOR OR ADD ON	TRACTOR OR ADD ON	TRACTOR OR ADD ON	TRACTOR OR ADD ON
OIL TANK	OPTIONAL	OPTIONAL	OPTIONAL	OPTIONAL
WIDTH OF BUCKET	32"	UP TO 48"	48"	60"
PLANS	\$139.95	\$139.95	\$139.95	\$139.95

CADPlans Note: The CADTrac Loader is similar to the CADLoader Model 907



CADLift Model 101

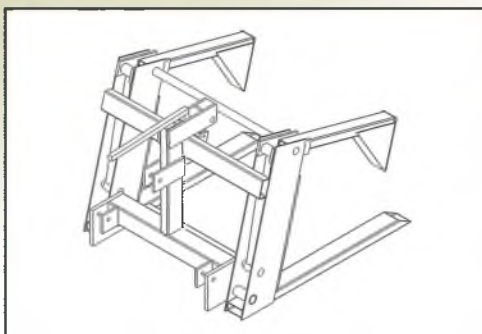
CADLift is a forklift designed for the rear of your tractor. It can be installed or removed with the ease of an other 3PT hitch attachment. CADLift will handle pallets and other materials like a forklift would. It can raise the load to a height of 60 inches. The beauty of CADLifts' design is that it adds weight to the rear of your tractor, increasing the stability of your tractor. The angle of the forks are adjustable by varying the length of the top link.

OPTIONS

If your tractor does not already have hydraulic remotes, a 12 volt power pack can actuate the lift cylinder

Plans Price: \$109.95

Application: 2000 pound or heavier tractors with CAT I or II 3 point hitch
Capacity: Up to 1000 pounds of lift depending on the tractor weight



Grapple 3PT Model 102

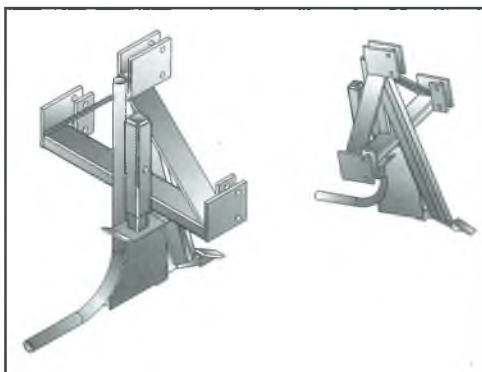
Grapple 3PT is an attachment for your tractor that lets you grab items such as brush or logs with the hydraulic hooks. This attachment attaches like any other 3PT hitch attachment. The hooks are hydraulically actuated. To dump, simply lift the hooks, trip the latch and raise the 3 point hitch. The grapple will also handle most pallets

OPTIONS

If your tractor does not already have hydraulic remotes, a 12 volt power pack can actuate the grapple.

Plans Price: \$109.95

Application: 2000 pound or heavier tractors with CAT I or II 3 point hitch
Capacity: Up to 1000 pounds of lift depending on the tractor weight

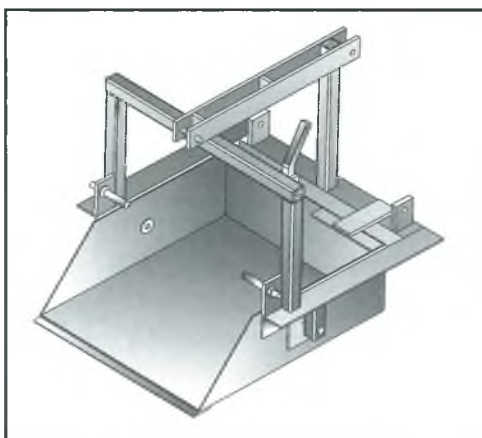


Trencher Model 103

Trencher is a 3 PT hitch attachment that allows you to bury wire, cable, water pipe and phone lines with your tractor. Make a pass with Trencher to make sure there are no obstacles, then go back and lay the cable. Trencher has an adjustable skid depth control. Trencher can also be used as a single shank ripper to loosen difficult soils. The length of the top link controls Trenchers digging angle.

Plans Price: \$49.95

Application: 2000 pound or heavier tractors with CAT I or II 3 point hitch
Capacity: Up to 12" deep

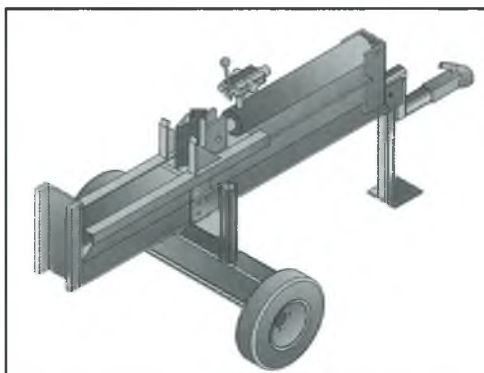


CADScoop Model 104

CADScoop is a compact and simple to operate scoop that allows you to move dirt and gravel with your tractor that is equipped with a 3pt hitch. CADScoop is completely reversible, since it has 3pt hitch attachments at both the front and rear. This allows you to operate the scoop while you move forward or backward, depending on the mounting location you choose. CADScoop can be dumped by a light pull on the trip mechanism. The length of the top link effects the scoop height. By adjusting the top link, the bucket can be tipped forward a few degrees to allow it to scoop more effectively.

Plans Price: \$49.95

Application: 2000 pound or heavier tractors with CAT I or II 3 point hitch



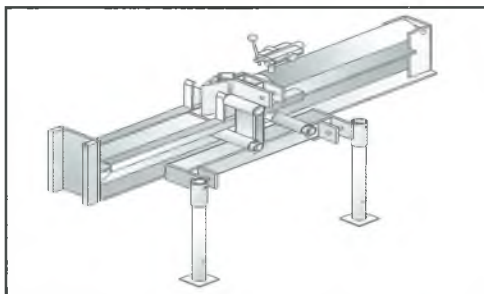
CADSplitter Model 210

A vertical-horizontal woodsplitter requiring the fewest number of holes possible. Other than the cylinder mounting holes, a few holes to pivot the beam and stabilizer foot, the Model 210 frame is all "cut and weld". This model incorporates an 8 inch "H" beam so you have plenty of strength whether you choose the 4 inch cylinder for speed or the 5" cylinder for power. In the horizontal position, Model 210 is a convenient height so you are not bending to split smaller wood. Then just flip up the beam to split the big logs you don't want to lift. The guide rails for the splitting wedge even act as a tray to help keep the log from rolling off the beam.

Plans Price: \$49.95

Application: Freestanding, 5 hp engine powered woodsplitter.

Capacity: 24" logs (24 inch stroke, 4" cylinder), force depends on pump pressure.



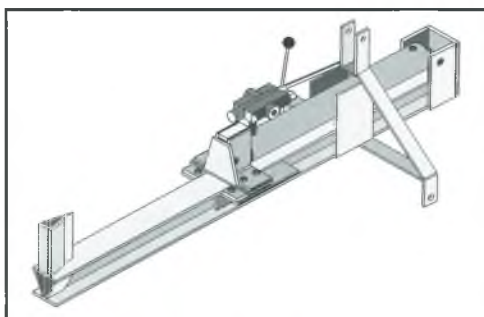
CADSplitter Model 211

A vertical-horizontal woodsplitter similar to the Model 210 except that it is a 3 point hitch tractor mounted version. The Model 211 mounts transversely to keep the splitter in close to the tractor. In many cases you can pull your wood trailer from your drawbar with the Model 211 attached. We recommend you power the Model 211 from the tractor hydraulics. (A PTO pump can cost as much as a pump and engine for the Model 210).

Plans Price: \$49.95

Application: 1000 pound or heavier tractors with CAT I or II 3 point hitch

Capacity: 24" logs (24 inch stroke, 4" cylinder), force depends on tractor pressure.



CADSplitter Model 208

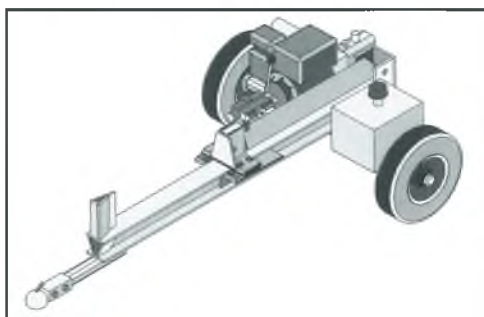
A horizontal splitter for CAT I 3pt hitch tractors of all weights. This is a simpler design than the Model 211. A quick and easy to build woodsplitter that takes advantage of your tractors hydraulics.

(It is recommended that this splitter not be powered by a PTO pump, as the PTO pump can cost as much as a pump and engine for the Model 218).

Plans Price: \$39.95

Application: Tractors with CAT I or II 3 point hitch

Capacity: 24" logs (24 inch stroke, 3.5" cylinder), force depends on tractor pressure.



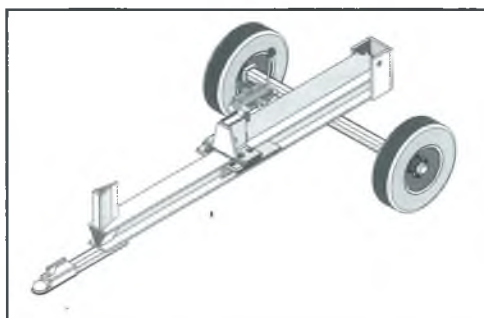
CADSplitter Model 218

A free-standing horizontal splitter with self contained engine and hydraulics. Easy to build and low cost to own and operate the Model 218 is the best woodsplitter for many applications.

Plans Price: \$39.95

Application: Freestanding, 5 hp engine powered woodsplitter.

Capacity: 24" logs (24 inch stroke, 3.5" cylinder), force depends on pump pressure.



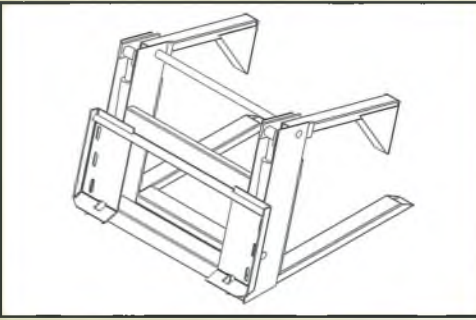
CADSplitter Model 221

A free-standing splitter similar to the Model 218 except the Model 221 uses the CADDigger Model 821 (or 831 or 841) for power.

Plans Price: \$39.95

Application: Freestanding, CADDigger powered woodsplitter.

Capacity: 24" logs (24 inch stroke, 3.5" cylinder), force depends on pump pressure.



Grapple Model 402

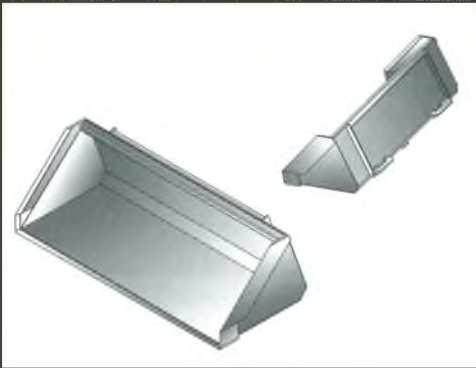
A Skid Steer attachment that lets you grab items such as brush or logs with the hydraulic hooks. This Grapple attaches like the bucket and the hooks are actuated by your skid steer's auxiliary hydraulics.

When you want to dump, simply lift the hooks and dump as you would dump the bucket. The Grapple will also handle most pallets.

Plans Price: \$109.95

Application: "Bob Cat" style mounting skid steers

Capacity: Up to 1000 pounds of lift depending on the tractor weight



CADBucket Model 404

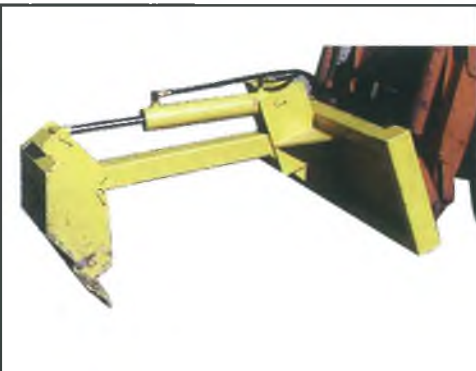
A Skid Steer replacement bucket you make from 3/16" steel and re-enforced high carbon steel cutting edges. The plans include two designs, one using a preformed shell, the other is made from all flat stock with no bends. You can also choose a plain edged bucket or a toothed edge bucket.

The plans are for a 60" bucket, but you can easily vary the width to make the bucket the size you need. Details are for mounting on most late model skid steers. You can adapt the mount if you have an older design.

Plans Price: \$49.95

Application: "Bob Cat" style mounting skid steers

Capacity: N/A



CATDigger Model 408

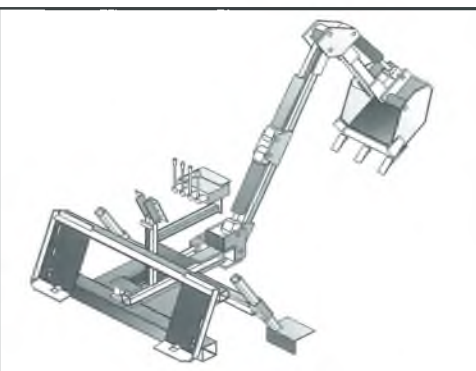
A mini backhoe attachment for a skid steer. This model has a digging depth of 4 ft and 4000 pounds of ripping power. Installation is as quick and easy as changing buckets. The low weight of the attachment and small size make it easy to always have this mini backhoe on the trailer ready to do those quick trenching jobs you run into.

CATDigger can be built as a hydraulic version or an unpowered bucket with various fixed positions for the bucket, allowing this attachment to be used on machines that are or are not equipped with auxiliary hydraulics.

Plans Price: \$79.95

Application: "Bob Cat" style mounting skid steers with or without aux. hydraulics

Capacity: Up to 48" deep



CADDigger Model 609

A backhoe attachment with a 5 ft digging depth for a skid steer. This model is designed for quick attachment on most late model skid steer machines that installs or removes with the ease of any other quick hitch attachment like the bucket.

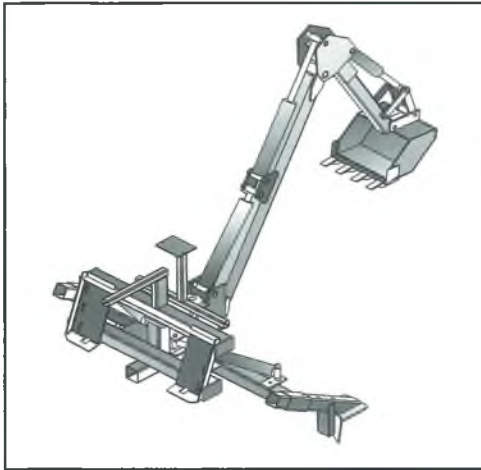
Bucket Options

CADDigger Model 609 can be built in two bucket configurations. Build a narrow bucket for trenching or a standard bucket for regular digging. Change buckets by pulling two pins. Both these options are described in detail in the plans.

Plans Price: \$139.95

Application: 500 pound or greater tipping weight machines with Bob Cat mounting

Capacity: Up to 60" deep, up to 15" wide bucket



CADDigger Model 809

A backhoe attachment with 9 ft of digging depth for a skid steer. This model is designed for quick attachment on most late model skid steer machines with a bucket lifting capacity greater than 1000 pounds. Install or remove CADDigger Model 809 with the ease of any other quick hitch attachment like the bucket. CADDigger Model 809 will perform the same tasks that you can do with expensive ready-made machines.

Bucket Options

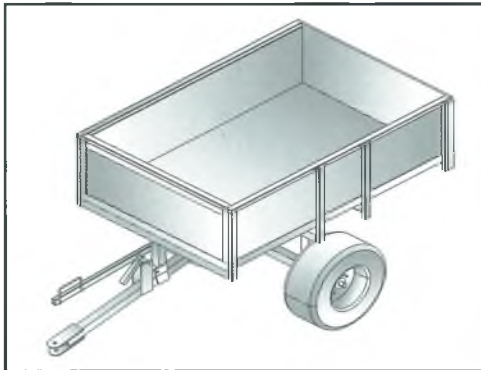
Plans contain two bucket configurations. Build a narrow bucket for trenching or a standard bucket for regular digging. Change buckets by pulling two pins.

Plans Price: \$139.95

Application: 1000 pounds or greater tipping weight machines with Bob Cat mounting

Capacity: Up to 9ft digging depth, up to 18" wide bucket.

Other specs similar to other 800 Series Machines shown on page 9



EZ Cart Model 330

Here is an easy cart to build, an easy cart to dump and an easy cart to latch and unlatch. This cart is designed to reduce the human effort required during a manual dump. The trailer and axle pivot as one unit allowing the wheels to roll forward as the cart is dumped, facilitating the load to be fully dumped. The cart also has a simple and low effort dumping mechanism that will unlatch with a light pull, and will automatically relatch simply by setting the cart back to its original position. This cart is very strong, durable and reliable. It will give you many years of great service.

Plans Price: \$39.95

Application: Full sized garden tractor or ATV



CADDigger 650



CADDigger 650



CADDigger 650

see page 5 for specification on
CADDigger Model 650



**Ken Califf's
Model 808
on a
JD 1070**

*"I have used this unit so far to dig up 5 big pine stumps and it really performs well."
"This has proved so far to be a strong addition."*

"After using the machine for dozens of hours, I appreciate how much care went into your design."

Everything is just the right size, and the balance is perfect."

**Timothy Masters
Model 628**



**George Heffner's
Model 628**





**Boyd Smith's
Models 608 and 907**

"The plans were so detailed that anyone who could strike an arc and read a ruler could build these plans."



**Angelo Massaro's
Model 907**

*"Thanks to your plans, I've created a masterpiece and I can't believe how easy it was to build!"
"But most important of all is that every time I called you with a question, you were there to answer it and I appreciate that very much."*



**Kevin Oachs
Model 508**

CADDiggers are used as Educational Tools!

Monongalia County Technical Education Center

John "Chris" Toothman
"my class re-drew all of your drawings full scale using AutoCAD and welding put together the pieces with templates."



North Central Technical College building the Model 841

From CAD to hydraulics to welding the CADDiggers have been used extensively in schools as educational tools. One school even made its own cylinders from raw stock.



Brad Crock's Model 609



"Thank you for such a fun and practical project to build and use."

Mike Breaux's Model 808



Frank Neal's Model 728



Jim Milne's Model 507

"This was a first time project using hydraulics and I must admit I was skeptical as to my ability to complete the loader. After 5 minutes at the controls working on 17 tons of crusher run gravel, all doubts were removed as to the capabilities of the 507 loader."





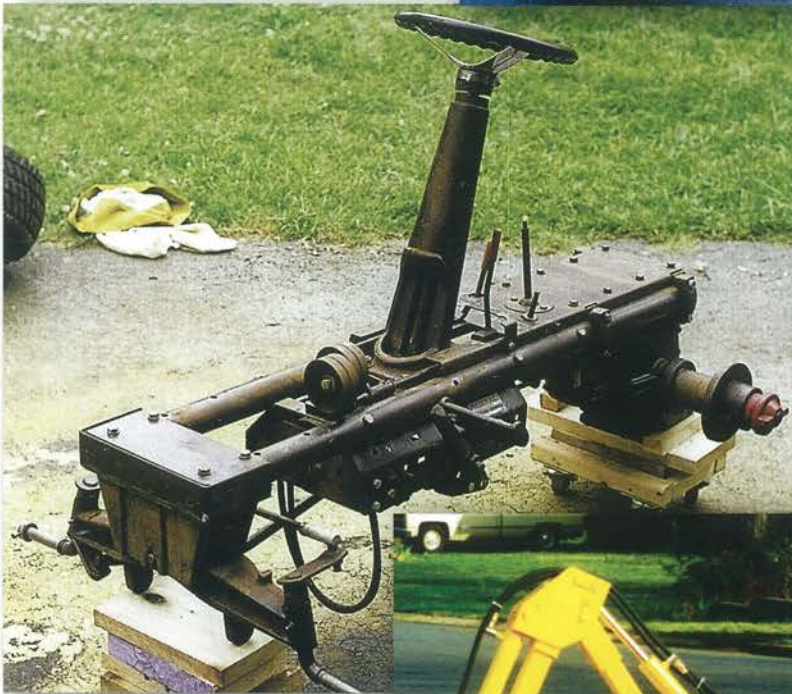
Before And After of a \$150 Bolens and a Color Matched Combo



Ron Phillips
Models 507 and 508

"I first built the CADLoader (Model 507) and it proved to be so reliable, I decided to add the CADDigger (Model 508)."

"So far after using the CADDigger for approximately 20 hours, it seems to be working better than expected."



"Here are some pictures of my digger. I am very happy the way it turned out."

Angelo Massaro's
Models 728 & 907



**Frank Neal
CADLoader 507**



**Paul Walls
CADDigger 708**



**Dick Willams
CADDigger 608**



**Tim Wheeler
CADDigger 508**
It looks like it
killed 3 shovels!



Most commonly asked questions about our products:

What exactly do I do to build CADDigger?

Simply cut the pieces as shown in the instructions & weld. CADDigger is designed around cut & weld techniques. Most parts are square cuts that a 4x6 metal cutting band saw provides. Some acetylene torch cuts are needed but if you don't have a torch you can have a welding shop do that for you far more economically than purchasing a torch setup.

What if I can't weld?

No problem! A number of CADplans customers have completed this project in an evening Vo-Tech adult education class for welding. This supplies them with a new skill and a project for the class, (far better than a bar-b-que or a woodstove). Plus, some Vo-Tech classes supply all the equipment to make CADDigger a simple project.

I don't know hydraulics!

That's OK, you simply follow a simple line drawing, hook up the hoses and you're ready to go. And if you have any questions, call CADplans between 6:00PM and 10:00 PM EST.

Are these machines rugged?

The heavy wall square tubing and other materials used in the construction is the key. Not only do these materials afford strength to the machine, but it simplifies the assembly and welding. Since no thin walled steel (typically used in commercially available equipment) is used, the parts are easier to weld together. You can spend your time using CADplans machines, rather than worrying how to weld "thin" parts together.

How can CADDigger cost so much less than other machines?

Markup, markup, and middlemen! Here, you buy the parts, you supply the labor, you apply the paint. With all those middlemen gone, you pay for the machine, not the markup! Typical costs include :

4 cylinders	-\$100 each
Control Valve	-\$230
Pump	-\$ 70
Hoses	-\$150
Steel	-\$250
Engine	-\$200
Wheels, paint, misc.	-\$200
For a total of about	\$1500

CADLoader costs will vary from 15% to 30% of a commercially available loader, depending on the tractor being used. In its simplest form, installation on a tractor presently equipped with hydraulics, you can build CADLoader for the cost of the hydraulic cylinders, hoses and steel.

Are there hidden costs with CADDigger ?

No! When you buy other machines you must buy backhoe attachments for thousands of dollars, a trailer for thousands of dollars, licenses for the trailer etc. CADDigger converts into a single purpose trailer that requires no lights or licenses in many states (like a cement mixer or woodsplitter), check with local authorities. CADDigger uses only a couple of gallons of gas a day. Hydraulics are not hard duty on the engine insuring long life. Periodic oil changes and a few shots of grease each day is all that is needed to keep CADDigger running. THAT'S IT! No chains, rollers, or tracks to tighten or wear out. No expensive tires & batteries to replace. CADDigger puts money in your pocket, not in parts and service!

Will CADplans supply the parts?

No, but we do recommend sources. Many customers have local sources of steel and hydraulics. Almost every do-it-yourselfer has a used engine just waiting to bring a CADDigger to life! (In case you don't have a local source for a part, CADplans supplies sources for mail-order of all needed parts.) Applying materials they already have or can get locally, some CADplans customers build CADDigger for only a few hundred dollars.

Can I make money with CADDigger?

Sure! When CADDigger has completed your projects, you can put it to work earning extra cash. CADDigger is perfectly suited to small jobs commercial contractors won't touch, bringing in \$\$\$\$. By charging \$25.00 per hour with a \$75.00 minimum you can complete jobs that can't be done by hand and your friends & neighbors previously let go undone because of contractors charging \$300 minimum. From trenches & footers to stump removal & burying farm livestock, CADDigger can complete the small jobs to make you BIG MONEY. And since you build CADDigger, CADDigger pays for itself in a couple of months of spare time, not years like other machines. This means money in your pocket right away, not interest payments to the bank!

How come the cost estimate does not match MetKit's pricing?

MetKit is doing much of the work for you. All of the steel is cut and drilled. Parts are accurately torch cut. Top of the line hydraulics are being supplied. You will save half of the time required to build a CADDigger. If your time is worth a couple of dollars an hour, MetKit is the way to go. If you like to fabricate, just get the plans and save more money.

11 Reasons You Should Build a CADplans' Machine

- 1) **Easy to Maneuver** Finger tip control of the hydraulic cylinders and perfect balance make the CADplans machines nimble enough to scoot where you want them to go - around trees and buildings to places a full size backhoe can't go.
- 2) **Safe on Slopes** Low center of gravity lets the CADDigger machines work on slopes.
- 3) **Less Expensive** Not only do you save money by building CADDiggers, but no trailer is needed. Just hitch it to your car and go!
- 4) **Stores Easily** CADplans machines take just a bit more space than a riding lawn mower.
- 5) **Easy on Your Lawn** CADplans machines' stabilizer pads stab into the ground only when digging, while heavy backhoes weighing 20,000 lbs. Leave ruts, compressed soil and damage to your lawn.
- 6) **Faster** The easy transport of our machines will let you complete jobs it can handle while a large machine would still be getting off the trailer.
- 7) **Low Maintenance** With few moving parts, and no transmission or drive train, our machines can be maintained with a few shots of grease and a quick change of engine oil.
- 8) **More Power** CADplans give twice the ripping power of machines that cost three times more than ours.
- 9) **Fun to Use** CADplans machines let you do jobs that can't be done by hand and frustrate you when you try to hire a large machine. The low platform height and swivel seat makes getting on and off our machines an enjoyable experience.
- 10) **You Build it Yourself!** No special machining equipment required to build our machines. You can do it! And when it's done, you will have a machine you can be proud of.
- 11) **Help is Available** Technical support is available when building a CADplans product. Help finding/obtaining parts. Help cutting and drilling steel. Help welding.

Meet CADplans Chief Design Engineer: John Mikulas



John Mikulas is the chief engineer who develops CADplans products, and it is his job to make available the plans for the machines our customers request. John has been engineering equipment for over 25 years.

The mixture of his Manufacturing Engineering experience, Design Engineering experience and his natural love for equipment, has enhanced the CADplans designs. John states, "As a Manufacturing Engineer, I spent 10 years writing instructions for shop personnel that interpreted engineering drawings to easily understand steps for the manufacture of all types of mechanical devices. As a Design Engineer, I spent another 10 years designing new products using Computer Aided Design (CAD) and my knowledge and education to ensure the designs were correct"

John continues, "I initially wanted the machines to use on our 20 acre farm, but, like others, could not justify the cost. This resulted in the first CADDigger being fabricated in the early 1980's. A magazine published an article about it and readers asked for the plans. With my experience at writing shop instructions and designing, I put the plans together for the first machine. We then had requests for larger and smaller versions of the CADDigger and requests for tractor mounted 3PT hitch versions. With a background of welding in the Navy and several summers of working on a 1000-acre farm, I was able to develop the plans for these new requests. I knew that the majority of our customers had limited shop facilities, so the designs could not require extensive equipment, which is not usually a limitation of manufacturing operations." This was the main design goal of our new products.

All CADplans products are designed for the builder that has limited shop equipment, a welder, bandsaw, torch, and hand tools. Also, we knew our customers did not want to spend time deciphering engineering drawings or working with micrometers. This was also the basis for all of our designs and their drawings.

Soon we learned that the CAD software would have to be first class to help us develop the new designs. We switched to 3D "solids" software that allows us to design new products that are so perfect in the computer; we even know the finished machine weight before the first piece of steel is cut. Other software is used to show the range of motion and the forces on the machine being designed. All of this, plus our knowledge, lets us bring the new products to you at a low cost"

The CAD Software also allows us to produce drawings that are easy for the customer to understand. The Customer doesn't need a knowledge of computers or engineering drawings.

CADplans Corp. is located in the rural Blue Ridge Mountains of Virginia which surrounds us with the types of activities that further inspires new designs. We see the needs of the small landowners and small business owners close up and continue to develop the products our customers want. John tries to personally answer all technical and inquiry calls so we can best service our present as well as future customers. We accept customer feedback on an ongoing basis and use it to continue to add the necessary information to the existing plans and develop the new products most requested by our customers.

Feel free to call John, in Virginia, if you have any specific questions at (540) 992-4758.



Free Plans for Hitch Adapter

Many of customers ask, "How detailed are the drawings and instruction?" So we decided to include a free set of plans to show an example. Due to space limitations, we have selected a simple project to show the style, format and detailing of the CADplans drawings. This Hitch Adapter is one of our creations.

The Hitch Adapter is fabricated from two (2) sizes of square tubing, some flat stock and three (3) pins. We recommend welding Hitch Adapter with a high strength welding process such as 6011 or 7018 stick welding. We don't recommend small MIG welders (under 200 amps) and easy weld rods such as 6013 because they produce inferior welds on the thickest parts found on CADplans equipment.

ITEM #	ITEM DESCRIPTION	QTY
06	2.5x2.5x3/16" x 4" SQUARE TUBE (STEEL)	1
07	2x2x3/16" x 8" SQUARE TUBE (STEEL)	1
08	2x2x3/16" x 8" SQUARE TUBE (STEEL)	1
09	1/4x2" x 6" STEEL BAR	2
10	1/2" DIAMETER PIN AND RETAINER	3

ADJUST LENGTH OF ITEM 07 AS DETAILED IN THE INSTRUCTIONS.

WELD ITEM 07 CENTERED ON ITEM 06.
WELD ITEM 08 CENTERED ON ITEM 07.
WELD THE ITEM 09'S TO ITEM 08 AS DIMENSIONED.

PIN THE LOAD SUPPORT ASSEMBLY TO ITEM 05 PER LOAD LENGTH REQUIREMENTS. THE OPTIONAL HOLE IS FOR SHORTER LOADS.

Hitch Adapter Load Stabilizer ASSEMBLY

OPTIONAL SUPPORT PINNING LOCATION

DO NOT PLACE THE LOAD STABILIZER IN THE TRUCK RECEIVER UNLESS YOU ARE CARRYING A PROPERLY FLAGGED/MARKED LOAD.

DESIGNED BY Mikulas
DATE: 11/05/98
TITLE: SUPPORT & ASSEMBLY
DWG TYPE: ASSEMBLY DWG.
REV #: 1
MODEL #: Hitch Adapter
ALL DRAWINGS ARE DIMENSIONED USING INCHES

- Start by determining the distance from the receiver hitch on your truck to the tailgate, when the tailgate is down. Use this dimension to adjust the length of Item 03 shown on Sheet 01. Fabricate the parts of Hitch Adapter out to Item 06.

- Using the long straight edge or string, determine the distance from the bed of your truck to Point "A" shown on Sheet 01. Subtract 2" from this dimension and this is the length of Item 07. This must be done with the unit partially assembled (up to Item 06) and installed on the truck to account for the clearances in the square tubing you have acquired. This will result in the support surface of Hitch Adapter being slightly higher than the bed of your truck. That's OK, when it is loaded the assembly will flex down a little. After determining the dimension, complete Hitch Adapter.

- Paint Hitch Adapter a nice shade of red and add a couple of reflectors so everybody can see it. Always add a flag to your load per local regulations. Check with local authorities for regulations concerning Hitch Adapter prior to use.

As you can see the dimensions are kept to a minimum to keep the drawings as clear as possible. All necessary information is in the plans and the instructions. Rather than cluttering the drawings with dimensions, many times it is better to give part details like size and length in the Item Description area of the drawing. This keeps the drawings free of extra dimensions so details are shown better.

Remember this is a load stabilizer. It is intended to stabilize long loads, not necessarily heavy loads. Hitch Adapter can be bent if you attempt to carry excessive weight with it. Also, remember CADplans makes no claim of fitness of Hitch Adapter for any purpose. The builder accepts all liability and responsibility including safety and compliance with provisions of any laws or acts. CADplans Corp. accept no liability for the use of these plans.

ITEM #	ITEM DESCRIPTION	QTY
01	2x2x3/16" x 8" SQUARE TUBE	1
02	2.5x2.5x3/16" x 4" SQUARE TUBE	1
03	2x2x3/16" x 8" SQUARE TUBE (or as req.)	1
04	2.5x2.5x3/16" x 4" SQUARE TUBE	1
05	2x2x3/16" x 48" SQUARE TUBE	1

ADJUST THE LENGTH OF ITEM 01 TO CLEAR THE BUMPER IF REQUIRED.

ADJUST THE LENGTH OF ITEM 03 SO THE TOP OF ITEM 04 IS AT LEAST 1" BELOW YOUR TAILGATE WHEN THE TAILGATE IS DOWN.

DRILL HOLE IN ITEM 03 MATCHING HOLE LOCATION IN ITEM 02

DRILL THIS HOLE TO MATCH THE DIAMETER AND LOCATION IN YOUR TRUCK'S RECEIVER.

WELD ITEM 01 CENTERED ON AND AT THE BOTTOM EDGE OF ITEM 02
WELD ITEM 03 CENTERED ON AND AT THE BACK EDGE OF ITEM 04

POINT "A"

ALL HOLES ARE .52" DIAMETER OR CLEARANCE FOR THE PINS YOU ACQUIRE UNLESS OTHERWISE NOTED.

DESIGNED BY Mikulas
DATE: 11/05/98
TITLE: RECEIVER ADAPTER
DWG TYPE: PART DRAWING
REV #: 1
MODEL #: Hitch Adapter
ALL DRAWINGS ARE DIMENSIONED USING INCHES

Look at how our Burnouts

“STACK UP”!!

We have used and manufactured steel parts for over 20 years, and during that time we have found the best ways to flame cut parts. Sure, laser cut parts are the best, but usually you can't afford them. We looked at the latest plasma, oxy-fuel and other cutting processes and decided they were either too inaccurate or not cost effective. So we developed our own flame cutting machine!

We offer the best possible shaped parts per dollar. Our computer controlled machine torch virtually eliminates variation from part to part. In fact, many shops that have flame cutting capability will buy our components rather than try to compete with our proven quality and precision.

We offer Precision & Quality

- Consistent from part to part
- Usable holes as cut for many applications
- Square cut edges, no beveling

Accuracy that allows you to eliminate secondary operations

* * * * *

Process Capabilities:

- Max part size 16" x 38"
- Ferrous Steels
- Min hole size = Material Thickness
- Material Thickness-1/4" & Up



Parts shown are 1/2" and 1/4" thick, 6" X 9.75" With a 2" hole.

This photo shows untouched parts direct from MetKit's flame cut process!

We're ready to quote your part!

Fax or mail your dimensioned sketch or drawing to us at the address above or email your dxf file to metkitcorp@aol.com.

If you specify critical and non critical surfaces we can keep the cost low.

If you have the mating part(s) we can make the burnout match that part.

Be sure to include material type and quantity!

First Piece Guarantee:

Place your order with **MetKit** and we'll make the first part FREE.

The balance of your order will be processed after your approval.

(\$200 minimum order for first piece offer, all parts the same)

Questions?? Call Phone 540-387-4995

Visit our website at www.metkit.com

THE RIGHT STUFF	When you are ready to build the machine from the CADplans plan set, MetKit has gathered the right stuff just for you. We stock hydraulics, engines, accessories and precut/predrilled steel, you can count on MetKit to get you everything you need.
FASTER	Like the other MetKit customers, you'll soon find that the fastest way to get that machine done is to call MetKit. You save time shopping, gathering, and hauling parts
FOR LESS	We know our customers price shop, and we have worked hard to insure our prices will be right for you. So make sure you check us out before you order from anyone else. Use our detailed parts & price sheet, included with your new CADplans plan set, to compare us to even local suppliers... You'll like what you find: the right components and prices.
VISIT OR CALL US	Walk in or give us a call. We are glad to help you out with your presales questions. You can also fax us at 540-387-4997 or e-mail us at METKITCORP@aol.com. Whatever is most convenient for you.
ONE ORDER. ONE ANSWER.	Your time is valuable and you need a variety of supplies. We know what you need right down to the technical specs of the adapter fittings on hoses. Kit ordering is quick and simple. Custom ordering is usually quoted same business day.
NO MINIMUM ORDER	We welcome all of your business, whether its one cylinder or a complete kit. Expect maximum service and no minimums.
WE'RE COMMITTED	When you are ready to build the machine from the CADplans plan set, MetKit is here to help. We stock hydraulics, engines, accessories and precut/predrilled steel, you can count on MetKit to get you everything you need.
OTHER CAPABILITIES	CADplans kits are not our only business. We specialize in supplying cut steel, precision burnouts, weldments, machining and other metalworking. Visit our website to learn more about us. www.MetKit.com

Dear Valued Customer,

Many customers ask, "Okay, CADplans got the plans, where do I get the parts?" The answer is **MetKit**. We are a source for the components to complete the CADplans plan sets. We know that CADplans has designed their plans to allow you to complete your machine from locally available materials. But we offer one more step towards making your project easy, the parts. We know you will like reaping the benefit of "one call does it all" like our other customers have.

"Kit" is part of our name, and that is our specialty. But that doesn't limit our service. 1 part or 100, we plan everything we do around you, our Valued Customer. We are driven to improve our processes and services every day.. That is what makes MetKit stand out from other suppliers. We believe if we give the customer what they want-when they want it-at a fair price-with first class service... you will get their business and keep it. That is our goal.

Check out the CADplans News. Select a plan set that suits your needs. Call, e-mail or fax us if you have questions on kit pricing.

I take it to heart when you are not completely satisfied with everything we do to make your experience a positive one. I am extending an invitation to each one of you to take advantage of the effort we have put forth in bringing the components together for your next CADplans project and become a MetKit Customer.

Bob
Manager of MetKit

Contact us if you have questions or
when you are ready to order
Phone: 1.540.387.4995 • Fax: 1.540.387.4997
E-mail: metkitcorp@aol.com • Website: www.metkit.com



MetKit, where –

“One Call Does it All!”

We Offer:

EVERYTHING KITS

Everything Kits include the Metal, Hydraulics, Power and Accessories kits, which is everything you need to complete a basic **CADDigger** or **CADLoader** Model except paint, hydraulic oil, and battery. These items are not included because of shipping restrictions.



METAL KITS

All metal required in the CADplans machine (square tube, plate, bar, pins, bearings, pipe, angle, cutting edge, bucket teeth, Roll pins, diamond plate)

All parts are precut, All patterns are burned to size, All holes are predrilled (except 1/4" & 5/16" retaining holes)

HYDRAULIC KITS

All hydraulics parts required in the CADplans Machine (control valves, pumps, cylinders, hoses, adapters, filters, strainers)

NOTE: The Fluid Power System valve body comes from MetKit fully assembled, properly torqued, pressure adjusted to 2000 psi and ready to add the handles.

POWER KITS

Engines and related items such as pump mounts, couplings etc...

ACCESSORY KITS

All the accessories you need such as seats, pins, grease fittings, etc...

The Plans Come with a List of What is in the Kits

For Current Kit Availability and Pricing, Visit our website at www.metkit.com

and We Offer: Any of the above items in the quantity you need. Even pre-welded kits!

NOTES ON HYDRAULIC COMPONENTS:

- The cylinders supplied are USA made, welded construction, screw in end replaceable seal type with red oxide paint. chrome plated rods and minimum 3-1 safety factor for bursting. This is the best cylinder we could find for the CADDigger. These are not the snap ring assembly cylinders that can not be disassembled without destroying the seals. Seal kits are available.
- The hoses are made in the USA 1 wire, 2500 psi working pressure. All fittings are also high quality plated high pressure selected specifically for the CADDigger. Certain suction and return fittings are not plated by design but can be painted.
- The FPS valve assembly should be ordered with Power Beyond if you wish to operate another hydraulic valve (like a loader) off the same circuit and/or pump. Instructions included.

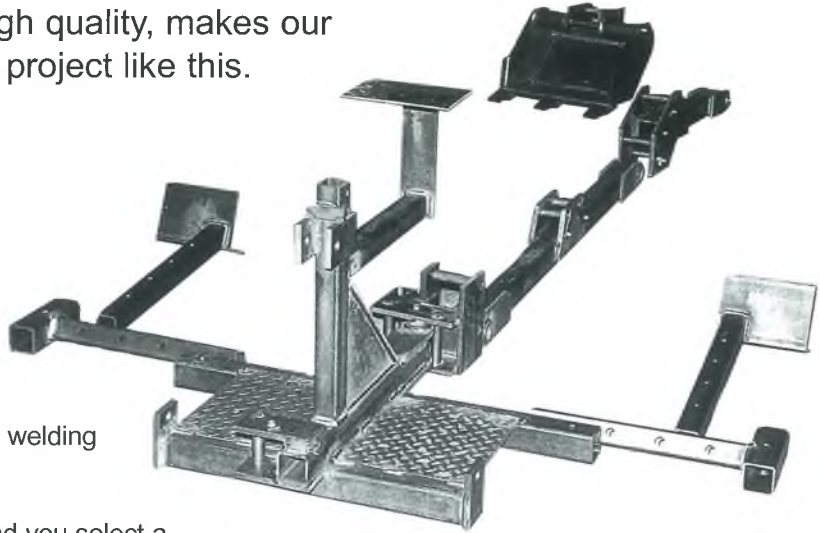
At **MetKit Corp.** we know building the best **CADplans** product is important to you, the customer. That is why we have taken the extra effort to make sure the kit components are the best possible and exactly what you want.

From the hydraulics to the steel, we make sure you are getting the best possible value. Our years of effort searching for quality vendors, and working with vendors to maintain high quality, makes our components the best to complete a project like this.

The Accuracy Counts, and we will Prove It!!

Our accurate burnouts, precut and predrilled parts make assembly of the **CADplans** projects a snap. You don't have to do the layout, cutting and drilling. You don't have to buy the tools. You don't have to look for the parts to build with. You do the finish welding and assembly easily with the accurate parts.

If you are still undecided, we recommend you select a burnout you would like to evaluate. Order two of the burnouts. Check the dimensions, repeatability, and finish. We know you will be sold on **MetKit's** quality. If you then order the complete kit, we will deduct the cost of the burnout parts and their shipping from the cost of the kit. If the evaluation burnouts are not accurate, return them for a refund.



The kits go together quickly with the accurate parts.

“ I have used other shops parts before. When the kit arrived I checked the parts for size with a caliper and was surprised at the accuracy.”

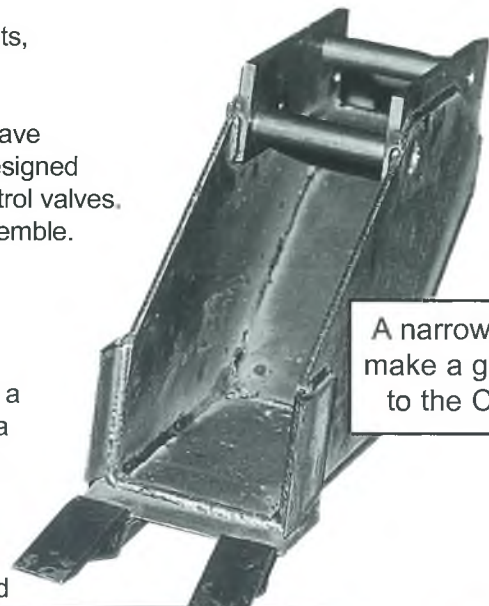
The Hydraulics

You have to decide whether to get the hydraulics locally or from **MetKit**. We feel we are supplying the best Ag-Type cylinders available. Sure you can get lower cost tie rod type cylinders. They will be the imports. We could supply them, but we don't. Our personal experience shows the import cylinders are manufactured with lower quality seals and other components, therefore contributing to a much shorter cylinder life.

All of our cylinders are screw together type welded construction. They have a minimum 3 to 1 safety factor in the design. The ends and ports are designed specifically for the **CADplans** applications. We supply FPS/Parker control valves. All of this goes together to make your project as easy as possible to assemble.

The Changes to the Kit

Many customers want the kit their way. They want a **CADTrac** seat on a **CADDigger**, a different engine, different tires, a different width bucket, a custom cutting edge for their loader, backhoe teeth on their loader buckets, joysticks on their control valves. None of this is a problem at **MetKit**. The shop paperwork for each kit is computer generated at the time of order. If you want a change, parts are added and/or deleted to your order before it is released to the factory floor. It is then accumulated and packed custom for you.



A narrow bucket can make a great addition to the CADDigger!

Contact us if you have questions or when you are ready to order
Phone: 1.540.387.4995 • Fax: 1.540.387.4997
E-mail: metkitcorp@aol.com • Website: www.metkit.com

*Now Available,
The Excavator Style Super Boom
For the
CADDigger 800 Series Machines!*

**Precision
Burnouts**

MetKit Corp 1125 Delaware St Salem VA 24153 PHONE 540-387-4995 FAX 540-387 4997

MetKit has developed an Excavator Style Super Boom for the CADplans CADDigger 800 Series machines including the 808,809,810,821,831 and 841. This unique boom allows deeper digging at one spot without having to relocate the machine. This new boom also allows you to dig a foot deeper. The new boom incorporates an additional pinning location for the boom cylinder to give full loading height and the greater depth by simply relocating a pin.

The Excavator Style Boom for the 800 Series is supplied in a ready to weld kit with the necessary instructions included.

To introduce the **Super Boom**, MetKit is making a special introductory offer.

You can order the Super Boom and also receive a 6" 800 Series bucket or CADThumb for only \$350 shipping included.

The Super Boom kit alone is \$275 plus shipping.

Order today and enhance your 800 Series CADDigger!

(Offer good within the continental US, higher shipping elsewhere.)



**Questions??
Call 540-387-4995**

Visit our website at www.metkit.com

The MetKit Super Boom Kit;

This is a "drop in" replacement for the CADDigger 800 Series machines, no other changes are necessary.

Use the same cylinders, hoses and pins.

The 30 degree bend of the boom greatly enhances the digging characteristics of the 800 Series machines.

**Special Introductory
Combo Offer!
Order the Super Boom Kit and
a 6" bucket kit or CADThumb
for only \$350
SHIPPING & INSTRUCTIONS INCLUDED!!**

Yes! Send me the MetKit

- Super Boom with CADThumb (\$350)
- Super Boom with 6" bucket (\$350)
- Super Boom, CADThumb & 6" bucket (\$499)

Name: _____
Address: _____
City: _____
State: _____ Zipcode _____
Phone #: _____

Payment Method:
Credit card
Check
M.O.

VISA or MC# _____
Expires _____

How to order;

For VISA and MasterCard orders,
call 1-540-387-4995
or mail your check or money order to
MetKit
1125 Delaware St
Salem Va 24153
E-mail questions to metkitcorp@aol.com .

CADDigger, CADplans and CADThumb copyright of CADplans Corp.

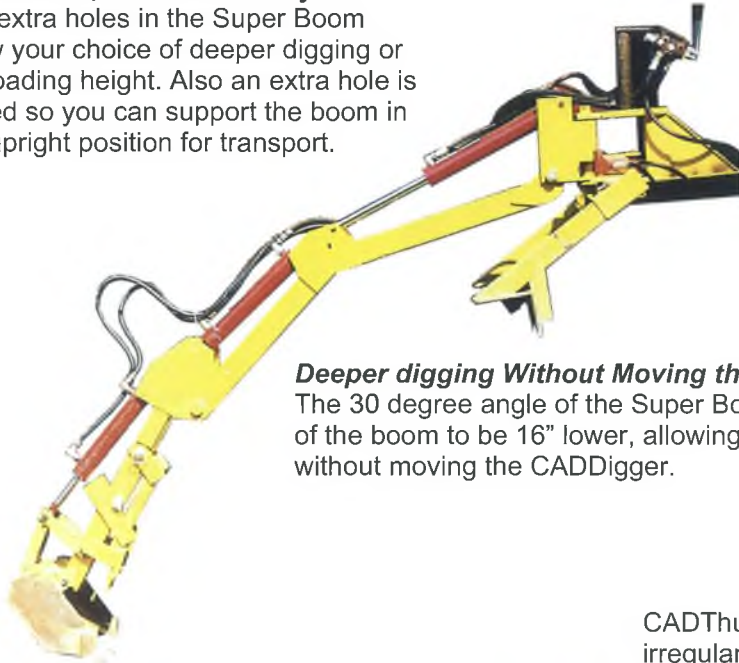
The MetKit Excavator Style Super Boom !

Extra Holes, Extra Versatility:

The extra holes in the Super Boom allow your choice of deeper digging or full loading height. Also an extra hole is added so you can support the boom in the upright position for transport.

The Super Boom Kit Includes:

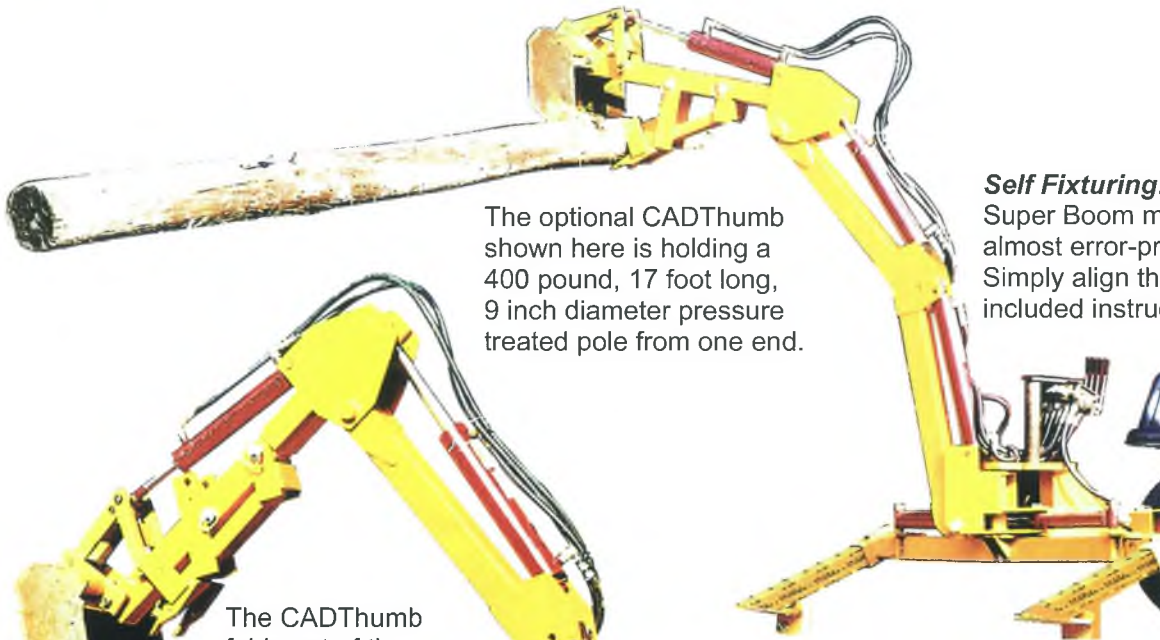
- Square tube
- CNC cut burnouts
- Two Mechanical tubes
- Two 63/64" x 5" pins and retainers
- Complete instructions



Deeper digging Without Moving the CADDigger:

The 30 degree angle of the Super Boom causes the end of the boom to be 16" lower, allowing deeper digging without moving the CADDigger.

CADThumb can pick up most round and irregular shaped objects up to 24" in diameter.



The optional CADThumb shown here is holding a 400 pound, 17 foot long, 9 inch diameter pressure treated pole from one end.

Self Fixturing: The design of the Super Boom makes assembly almost error-proof.

Simply align the parts per the included instructions and weld.



The CADThumb folds out of the way for self-storage when not needed.

The Super Boom raises 15 degrees higher than the standard boom giving greater clearance during truck loading.

The Super Boom can be substituted in a MetKit Everything Kit, call for details.

CADplans Corp has approved Super Boom as an accessory for the CADDigger 800 Series machines.

Questions?? Call 540-387-4995

*MetKit Corp 1125 Delaware St Salem VA 24153
PHONE 540-387-4995 FAX 540-387 4997*

CADDigger, CADplans and CADThumb copyright of CADplans Corp.

CADDigger Accessories

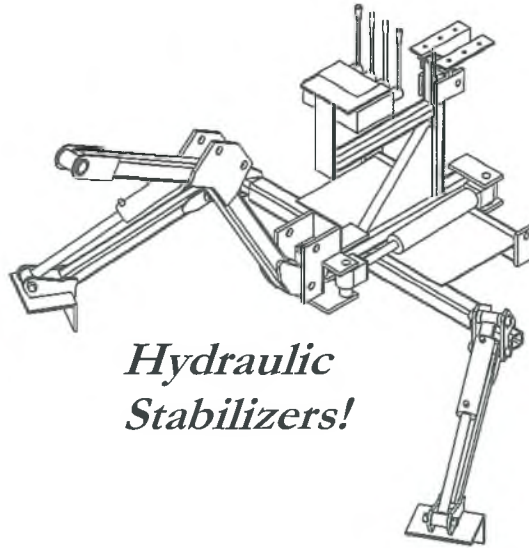
MetKit's capability to make accurate parts led us to develop these new accessories for the CADDiggers.

Precision
Burnouts

Hydraulic Stabilizers

MetKit has developed an easy to assemble set of hydraulic stabilizers for the 508, and 608 three point hitch CADDiggers. The stabilizers are controlled by their own valve that connects to your existing hydraulics. The stabilizers have over 120 degrees of rotation so they can be located at any position from 65 degrees up to 19" below the pivot.

The Stabilizers are angled 30 degrees out to each side, giving a wider stance than the standard CADDigger stabilizers for more stability. Many customers have used the hydraulic stabilizers to convert the 508 and 608 to rigid frame mount backhoes on their tractors, eliminating the free motion of the three point hitch mount. The Hydraulic Stabilizers are supplied in a ready to weld kit, including precut steel and hydraulics and instructions.



Hydraulic Stabilizers!

- Wider Stance
- Broad Adjustment Range
- Excellent Leveling Power
- Slide In Installation
- Double Acting Cylinders
- Allows Conversion To Rigid Mount
- Precision Cut Burnouts
- Valve and Hoses Supplied
- Instructions Included

The Hydraulic Stabilizers fit 508 & 608 CADDiggers.

600 Series Super Boom

The Super Boom is an angled boom that enhances the digging of the CADDigger. This unique boom allows deeper digging at one spot without having to relocate the CADDigger.

Also since the boom rotates higher, you have greater clearance during truck loading.

The Super Boom is supplied in a ready to weld kit, including precut steel and instructions.

- Better Digging Angle
- Better Loading Clearance
- Self Fixturing Design
- Drop In Replacement
- Use The Same Cylinders
- Precision Cut Burnouts
- All Steel Supplied
- Instructions Included

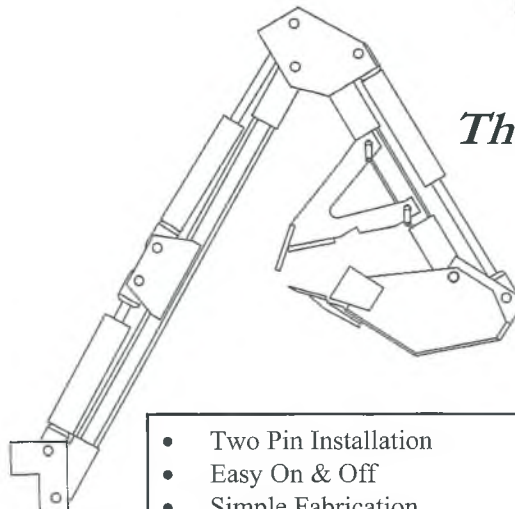
Super Boom!

The Super Boom fits 508, 608, 628 and 650 CADDiggers.

600 Series Thumb

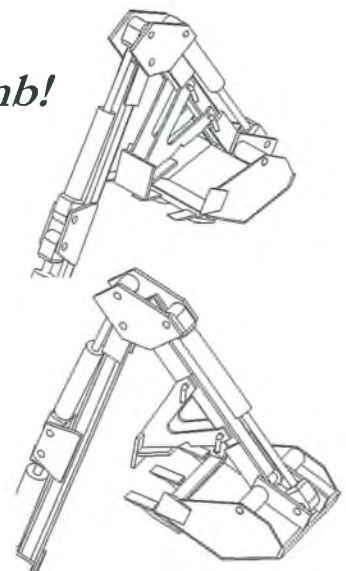
The Thumb is our most frequently requested attachment. The Thumb allows you to pick up objects rather than just dig dirt. Rocks, branches and logs are easily maneuvered by the Thumb. The Thumb is pinned in place with 2 pins making removal and installation a snap. The power of the bucket curl makes the thumb a powerful accessory.

The Thumb fits 508, 608, 628 and 650 CADDiggers.



Thumb!

- Two Pin Installation
- Easy On & Off
- Simple Fabrication
- Self Fixturing Design
- Precision Cut Burnouts
- All Steel Supplied
- Instructions Included

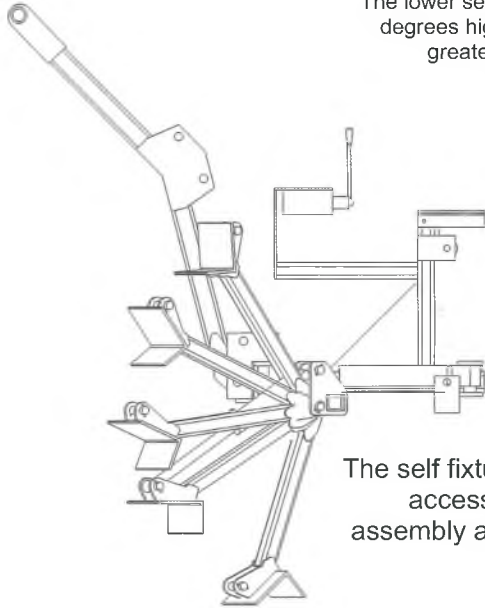


Visit our website at www.metkit.com

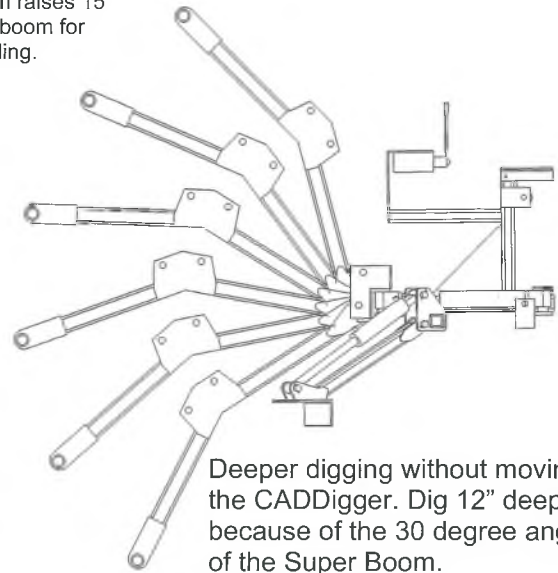
MetKit Corp 1125 Delaware St Salem VA 24153
PHONE 540-387-4995 FAX 540-387-4997

CADDigger Accessories

The lower section of the Super Boom raises 15 degrees higher than the standard boom for greater clearance during loading.



Range of Hydraulic Stabilizer motion from full up to full down.



Range of Super Boom motion from full up to full down.

The self fixturing design of the accessories makes assembly almost error-proof!

Deeper digging without moving the CADDigger. Dig 12" deeper because of the 30 degree angle of the Super Boom.



Mark DeGroot's Model 508 with Super Boom and Hydraulic Stabilizers



The Thumb powerfully clamps objects up to 18" with the power of the bucket cylinder.

Yes! Send me the MetKit

- Hydraulic Stabilizers _____ (\$699+\$60 S&H) _____
- Super Boom _____ (\$ 169+\$36 S&H) _____
- Thumb _____ (\$ 50+\$16 S&H) _____
- (call for shipping on the above items outside lower 48 states) _____
- All Three including shipping _____ (\$750,S&H included) _____

Total _____

Name: _____

Address: _____

City: _____

State: _____ Zipcode _____

Phone #: _____

VISA or MC# _____

Expires _____

Signature for CC: _____

Thumb Lifting Note:

This image shows the CADDigger 821 lifting a log with the Thumb.

The Thumb for the CADDigger 500 and 600 Series machines can safely lift loads mostly dependent on the operators safe operating skills.

Lifting capacity of the 600 Series machines should be around 200 pounds, depending on the operators skill.

The Super Boom, Hydraulic Stabilizers and Thumb can be substituted in a MetKit Everything Kit, call for details.

MetKit Corp 1125 Delaware St Salem VA 24153
PHONE 540-387-4995 FAX 540-387 4997

CADplans Corp has approved these accessories for the CADDigger 500 and 600 Series machines.

CADDigger, CADplans and CADThumb copyright of CADplans Corp.

How do I pick a CADDigger Model?

	3 point hitch				freestanding			
	508	608	708	808	628	728	821	841
Digging depth	4.5"	5'	6'	9'	5'	6'	9'	9'
Ripping power	1800#	2600#	3000#	5400#	2600#	3000#	5400#	5400#
Cost Using kit	Visit www.metkit.com for current pricing.							
Advantages	Fits CAT 0 Garden Tractor	Fits Mini-Diesel or larger tractor	Fits 2000 pounds or larger tractor	Fits 3000 pounds or larger tractor	Low Cost	Narrow access	Highest ripping power	Mobile with wheel power
Uses	Land-scaping	Trenching	Farm use	Stumps, ditches pond edges	Trenching	Farm use	Stumps, ditches pond edges	Minimum lawn damage

Visit Our Website at www.cadplans.com

CADplans Corp—Your source for the plans you need to
 “Build It Yourself—When Only The Best Will Do!”

CAD
plans

CADplans Corp
 PO Box 0606
 Daleville VA
 24083-0606