

# PTAC SUBBASE KIT INSTALLATION INSTRUCTIONS

**ATTENTION INSTALLING PERSONNEL:** As a professional installer you have an obligation to know the product better than the customer. This includes all safety precautions and related items. Prior to actual installation, thoroughly familiarize yourself with this Instruction Manual. Pay special attention to all safety warnings. Remember, it is **your** responsibility to install the product safely and to know it well enough to be able to instruct a customer in its safe use. Most dealers have a list of specific good safety practices...follow them. The precautions listed in this Installation Manual are intended as supplemental to existing practices. However, if there is a direct conflict between existing practices and the content of this manual, the precautions listed herein take precedence.

The subbase may be installed on the wall sleeve before or after installing the wall sleeve. The subbase is prewired. Electrical connections can be made on the left side after the access cover is removed. A grounding screw is provided.

**NOTE:** The wall sleeve must be installed a minimum of 3¼ inches above a finished floor and a minimum of 2¾ inches from a finished wall.



## WARNING PERSONAL RISK HAZARD

To avoid the risk of property damage, personal injury or death due to electrical shock, disconnect the electrical power before working on this product.

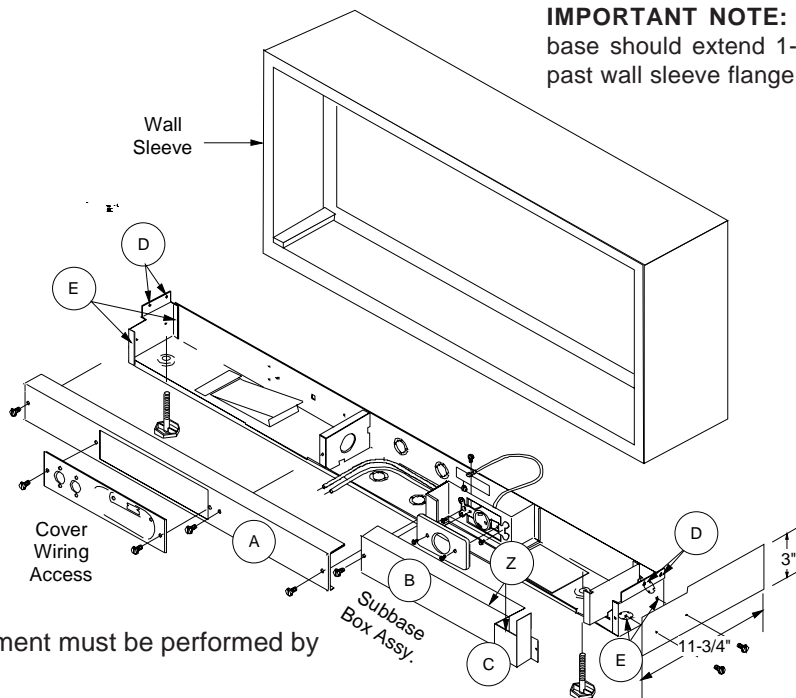
**IMPORTANT NOTE:** Subbase should extend 1-7/16" past wall sleeve flange. .

### Subbase Assembly

#### Part/Location Identification

- A Left Front Cover
- B Right Front Panel
- C Front Cord Panel
- D Wall Sleeve Hole Location
- E Skirting Hole Location
- Z Right Front Cover Assembly

**IMPORTANT NOTE:** To avoid equipment damage, use copper conductors only.



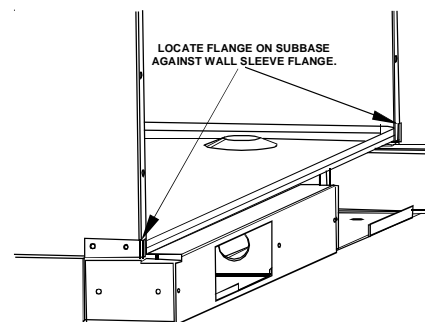
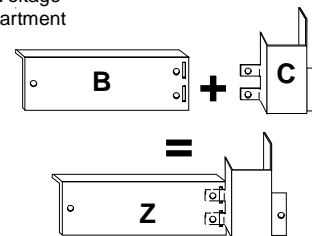
**NOTE:** The installation and servicing of this equipment must be performed by qualified, experienced technicians only.

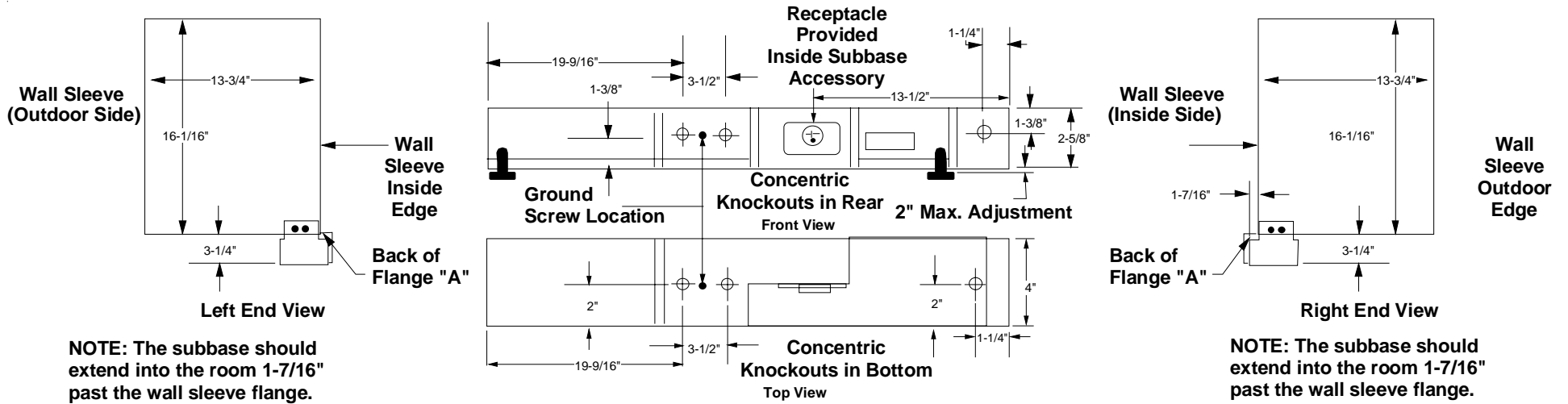
1. Remove (B) and (C) from the subbase and join together using two metal screws provided. This assembly now becomes the right front cover (Z) of the subbase.
2. Position subbase under the front of the wall sleeve. Locate by aligning flanges on the subbase to the wall sleeve. When positioned correctly, the subbase will extend 1-7/16" past the front of the wall sleeve.
3. Drill four 1/8-inch holes in wall sleeve to line up with holes in subbase (D). Mount subbase to wall sleeve with four sheet metal screws provided with kit (D).
4. Remove the left front cover from the subbase (A).
5. Position skirting on each side of wall sleeve to prevent the entry of foreign materials. Trim skirting to desired length. Attach skirting with four sheet metal screws provided with kit (E).
6. Wire subbase for appropriate voltage (see *Wiring Diagram*).

**NOTE:** The proper subbase must be ordered to obtain the correct electrical receptacle (see *NEMA Plug Configurations*).

7. After wiring is complete, mount covers A and Z to the subbase with provided screws.
8. When installing optional accessories to the subbase, refer to each installation instruction for that accessory.

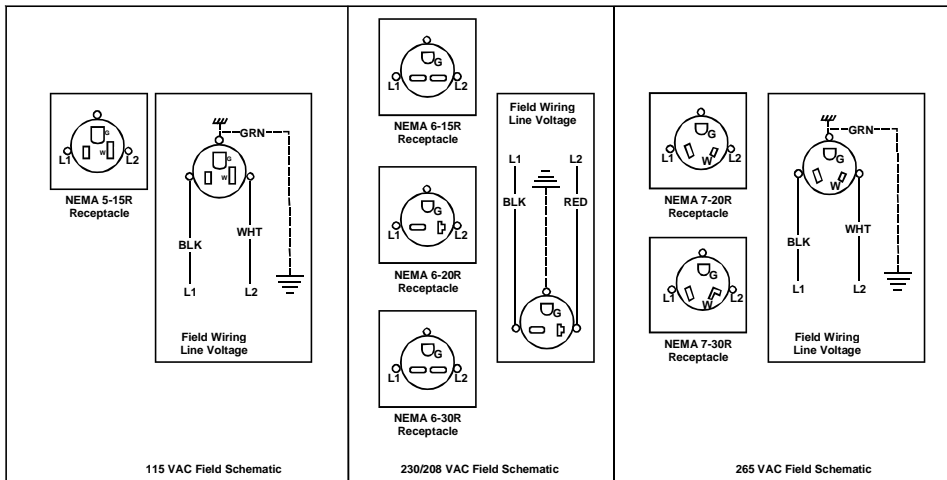
Low Voltage  
Compartment





Subbase Dimensions

2



Wiring Diagram

Voltage	Unit Plug	Subbase Receptacle	Voltage	Unit Plug	Subbase Receptacle
115	NEMA 5-15 AMP	NEMA 5-15 AMP	265	NEMA 7-20 AMP	NEMA 7-20 AMP
230/208	NEMA 6-15 AMP	NEMA 6-15 AMP	230/208	NEMA 6-30 AMP	NEMA 6-30 AMP
230/208	NEMA 6-20 AMP	NEMA 6-20 AMP	265	NEMA 7-30 AMP	NEMA 7-30 AMP

NEMA Plug Configurations