

PTAC Condenser Baffle Kit

Installation Instructions

Description

The condenser baffle kit is required when replacing an existing package terminal unit and the original outdoor grille is not made by the same manufacturer. These baffles are required to deflect discharge air away from the inlet, preventing recirculation of hot condenser air.

This kit is intended to be used with outdoor grilles having horizontal louvers. If the outdoor grille has vertical louvers, contact the manufacturer of the package terminal unit being installed.

NOTE: This kit is *not* to be used when the outdoor grille is provided by the original manufacturer of the package terminal unit.

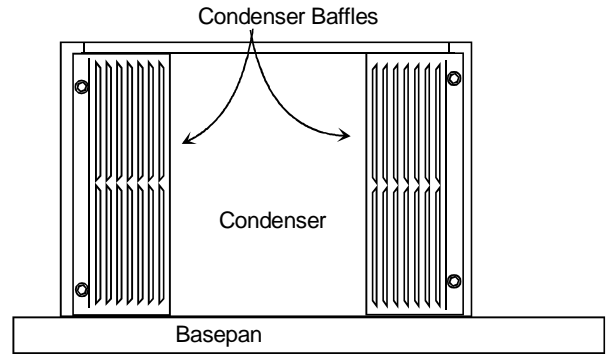


Figure 1



CAUTION

To prevent damage to the unit due to restricted air flow, remove any baffles or deflectors of any kind from the outdoor grille.

- Using the screws and shoulder washers provided, secure the grille to the condenser flange. **NOTE:** Be sure to install the gasket between the grille and the flange as shown in Figure 2.

Tools Required

- 1/4 Inch Electric Drill
- 1/8 Inch Diameter Drill Bit
- Center Punch and Hammer
- 6 Foot Rule
- Combination Square
- 1/4 Inch Nut Driver or Socket

Installation

- Locate the baffles on the condenser coil flange as shown in Figure 1. Position the louvers to direct the air toward the center as the air leaves the coil.

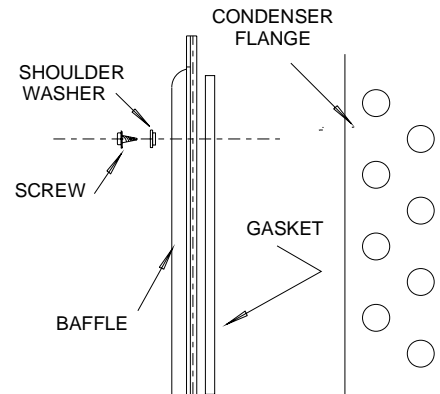


Figure 2



RECOGNIZE THIS SYMBOL AS A SAFETY PRECAUTION.

ATTENTION INSTALLING PERSONNEL

As a professional installer you have an obligation to know the product better than the customer. This includes all safety precautions and related items.

Prior to actual installation, thoroughly familiarize yourself with this Instruction Manual. Pay special attention to all safety warnings. Often during installation or repair it is possible to place yourself in a position which is more hazardous than when the unit is in operation.

Remember, it is your responsibility to install the product safely and to know it well enough to be able to instruct a customer in its safe use.

Safety is a matter of common sense...a matter of thinking before acting. Most dealers have a list of specific good safety practices...follow them.

The precautions listed in this Installation Manual are intended as supplemental to existing practices. However, if there is a direct conflict between existing practices and the content of this manual, the precautions listed here take precedence.