

# UHD Commercial TV with Essential Smart Function

Commercial TV | UT640S Series

The UT640S Series is specifically designed for diverse business environments. By providing compatibility with AV Control systems and DPM (Display Power Management) as well as its smart connectivity, simple user friendly interface, and UHD picture quality, the UT640S series enhances ease of use while facilitating communications between businesses and their target audiences.



Simple Content Management



High Visibility

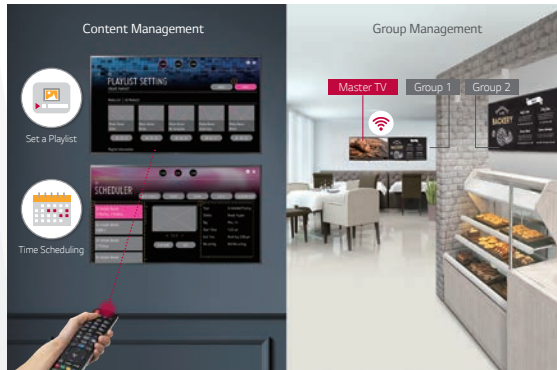


Excellent Usability



## Embedded Content & Group Management

The embedded Content and Group Management System allows you to edit and play content, schedule playlists and groups, and control Signage via remote control, mouse and mobile phone without the use of separate PC or software. This makes content management much easier and more user-friendly.



\* These images are provided for illustrative purposes, and the actual GUI may differ.  
\* All displays must be connected to the same network.

## SuperSign Control

SuperSign Control is free, basic LG control software that can manage up to 100 displays through a single account and server. Power, volume, and scheduling can be remotely adjusted, and firmware updates supported.



## USB Data Cloning

USB data cloning increases efficiency when managing multiple displays, since installers don't have to set up each display one by one. Once installers copy data to a USB device from one display, it can be easily imported on other displays of the same model through the USB port.



## Real-Time Remote Monitoring

Malfunctions or errors can be easily handled through real-time remote care. When an error occurs, notifications can be sent via SNMP (Simple Network Management Protocol).

## Easy Remote Power-On

WOL (Wake-on-LAN) enables users to turn on displays\* by sending messages through the network.



\* TV must be plugged into traditional AC power.

## True Color, Immersive View

The large size and Ultra HD resolution of the UT640S series enhances the visibility of content and captivates viewers. The LG IPS panel provides a wide range of viewing angles so that content can be clearly seen, regardless of the viewer's position. Each pixel in the IPS panel reproduces true-to-life colors without distorting images.



## Amazing Picture Quality and Color

Enjoy Full HD content in 4K Ultra HD quality, optimized by the 4K Upscaler. The 4K upscaler automatically upgrades Full HD content to Ultra HD through several upscaling processes so that images look crisp and clear in any viewing situation. This LG TV can also express intense highlights, vivid colors, and deep black hues on the screen through HDR10.



## Compatibility with AV Control Systems

The UT640S series has been certified Crestron Connected®, proving that it has a higher level of compatibility with professional AV controls. This results in seamless integration and automated control\*, boosting business management efficiency.



\* Network-based control system. May differ by region.

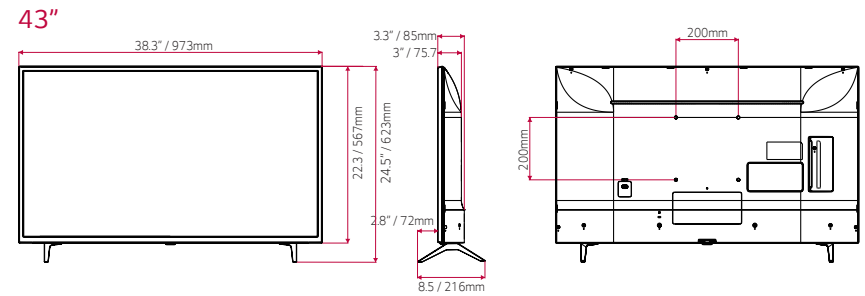
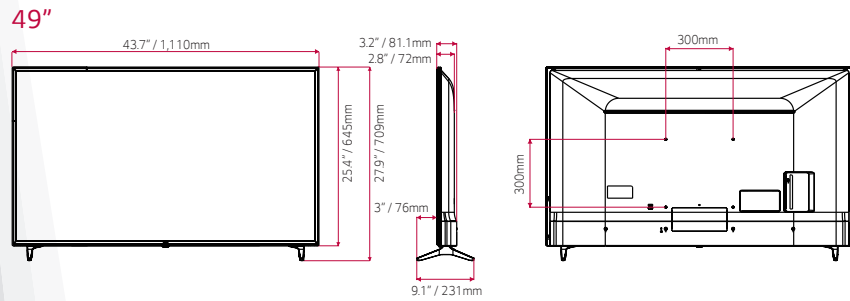
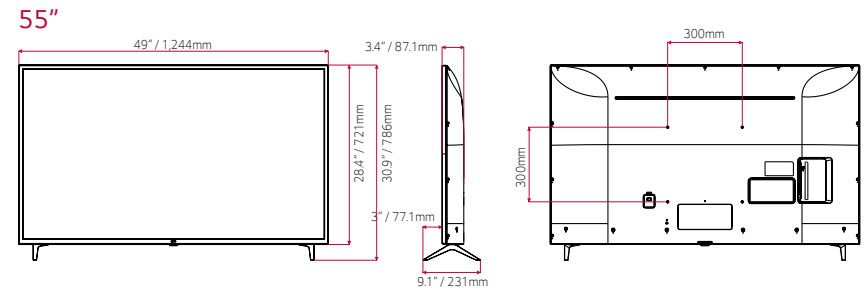
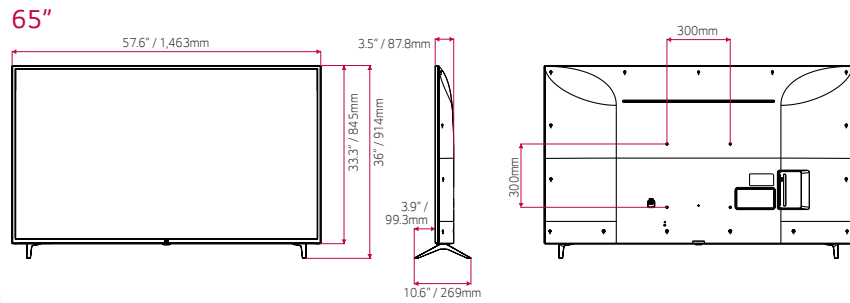
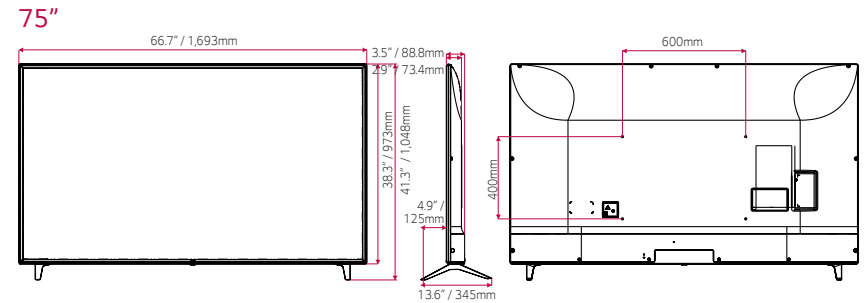
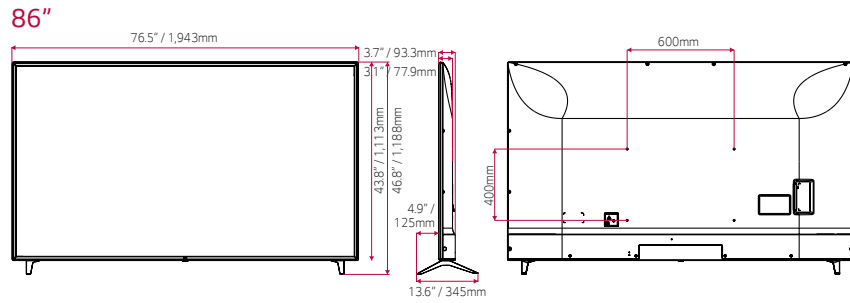
## DPM (Display Power Management)

Display Power Management (DPM) can be configured to only be On when there is a TV signal present to manage power more efficiently.



# DIMENSIONS

Commercial TV | UT640S Series

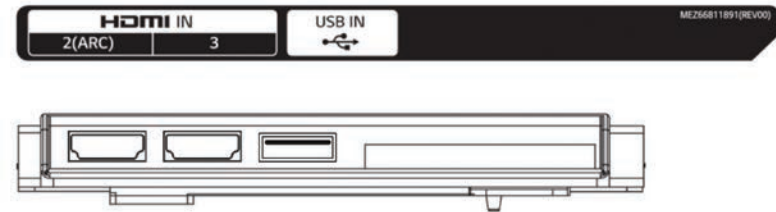
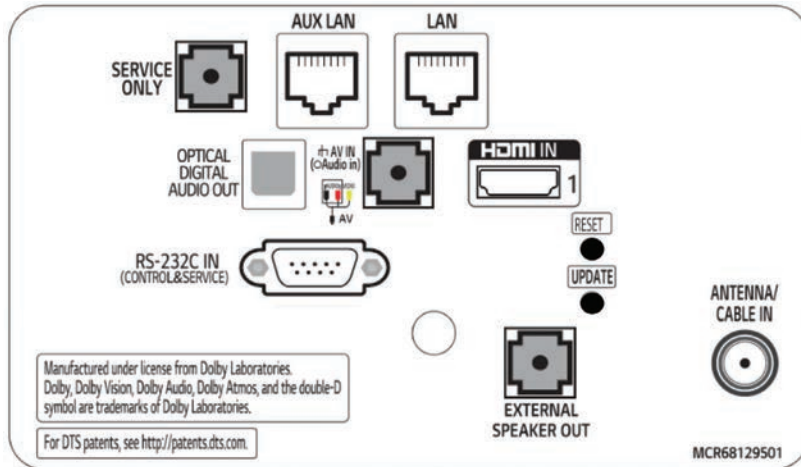


\* Dimensions & Jack Panels (Rear/Side) may differ from the above images, so please contact LG sales team to verify before ordering.

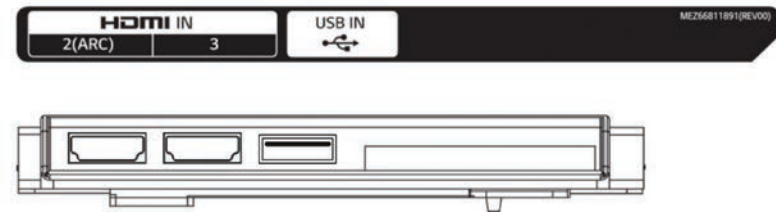
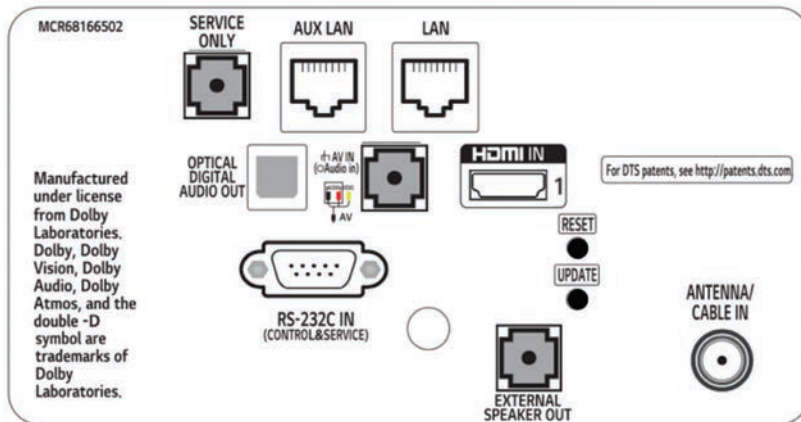
\*UT640S models ship with a 2 Pole stand (attachable feet). See also VESA spec for wall mounting.

# CONNECTIVITY

86" | 75"



65" | 55" | 49" | 43"



\* Dimensions & Jack Panels (Rear/Side) may differ from the above images, so please contact LG sales team to verify before ordering.

# SPECIFICATIONS

Commercial TV | UT640S Series

UT640S series		86UT640S	75UT640S	65UT640S	55UT640S	49UT640S	43UT640S	
DESIGN	Stand Type	2 Pole	2 Pole	2 Pole	2 Pole	2 Pole	2 Pole	
	Front Color	Dark Meteo Titan	Dark Meteo Titan	Ceramic Black	Ceramic Black	Ceramic Black	Ceramic Black	
DISPLAY	Diagonal Class	86"	75"	65"	55"	49"	43"	
	Resolution	3840 X 2160 (UHD)	3840 X 2160 (UHD)	3840 X 2160 (UHD)	3840 X 2160 (UHD)	3840 X 2160 (UHD)	3840 X 2160 (UHD)	
	Brightness (nits)	350	350	400	400	400	300	
BROADCASTING SYSTEM	Digital	NTSC / ATSC / clear QAM	NTSC / ATSC / clear QAM	NTSC / ATSC / clear QAM	NTSC / ATSC / clear QAM	NTSC / ATSC / clear QAM	NTSC / ATSC / clear QAM	
VIDEO	HDR (10 Pro / HLG)	Yes / Yes	Yes / Yes	Yes / Yes	Yes / Yes	Yes / Yes	Yes / Yes	
AUDIO	Audio Output	10W + 10W	10W + 10W	10W + 10W	10W + 10W	10W + 10W	10W + 10W	
	Speaker System	2.0 ch	2.0 ch	2.0 ch	2.0 ch	2.0 ch	2.0 ch	
	LG Sound Sync	Bluetooth required	Bluetooth required	Bluetooth required	Bluetooth required	Bluetooth required	Bluetooth required	
SUPERSIGN SW COMPATIBILITY	Content Management Software (CMS), Control and Monitoring Software (Control/Control+), Simple Editor							
SIGNAGE FEATURES	Crestron Connected® (Network Based Control), DPM (Digital Power management), Time scheduler, RTC (Real Time Clock), NTP sync timer, BEACON, Embedded CM (contents manager), Embedded GM (Group manager)							
SMART FEATURES	webOS 4.5, Smart Home (Launcher Bar), Web Browser, Pre-loaded App (YouTube only), Soft AP, WiFi (bandwidth)(ac), Screen Share (Miracast), LG TV Plus App Compatibility, DIAL, Bluetooth Audio Playback, LG Sound Sync/bluetooth, Mobile Connection Overlay							
HOSPITALITY FEATURES	Hotel Mode / PDM / Installer Menu, Lock mode (Limited), Welcome Screen (Boot Logo), Insert Image, One Channel Map, IP Channel Manager, External Speaker Out (Variable /Fixed, 3.5mm, Stereo (GND, R, L), Max 1W with 8Ω), VLAN, Teledapt/Guestlink (HDMI CEC), Moving Picture Playback (SD/HD/Plus HD), Auto Off / Sleep Timer, Smart Energy Saving, Motion Eye Care							
MAINTENANCE FEATURES	USB Cloning, WOL, SNMP, Diagnostics (Self Diagnostics (USB)), NTSC / ATSC / QAM, Simplink(HDMI-CEC)(1.4), IR Out (RS-232C), Multi-code IR							
JACK INTERFACE	Side	HDMI In 2(2.0), USB (2.0)						
	Rear	HDMI In (HDCP) 2.0, RF In (tuner), AV In (3.5mm), Digital Audio Out (Optical), RS-232C (D-Sub 9pin, Control & Service), RJ45 2 (Ethernet, SNMP), External Speaker Out (3.5mm, Stereo, Max 1W with 8Ω), Service Only (3.5mm)						
MECHANICAL	VESA (W x H)	600 x 400	600 x 400	300 x 300	300 x 300	300 x 300	200 x 200	
	W x H x D / Weight (with stand)	76.5" x 46.8" x 13.6" / 99.2 lbs 1,943 x 1,188 x 345 / 45.0 kg	66.7" x 41.3" x 13.6" / 78 lbs 1,693 x 1,048 x 345 / 35.4 kg	57.6" x 36" x 10.6" / 47.6 lbs 1,463 x 914 x 269 / 21.6 kg	49" x 30.9" x 9.1" / 32 lbs 1,244 x 786 x 231 / 14.5 kg	43.7" x 27.9" x 9.1" / 24.9 lbs 1,110 x 709 x 231 / 11.3 kg	38.3" x 24.5" x 8.5" / 17.9 lbs 973 x 623 x 216 / 8.1 kg	
	W x H x D / Weight (without stand)	76.5" x 43.8" x 3.7" / 97.4 lbs 1,943 x 1,113 x 93.3 / 44.2 kg	66.7" x 38.3" x 3.5" / 76.3 lbs 1,693 x 973 x 88.8 / 34.6 kg	57.6" x 33.3" x 3.5" / 47 lbs 1,463 x 845 x 87.8 / 21.3 kg	49" x 28.4" x 3.4" / 31.5 lbs 1,244 x 721 x 87.1 / 14.3 kg	43.7" x 25.4" x 3.2" / 24.5 lbs 1,110 x 645 x 81.1 / 11.1 kg	38.3" x 22.3" x 3.3" / 17.6 lbs 973 x 567 x 85 / 80 kg	
	W x H x D / Weight (Shipping)	83.3" x 49.6" x 11.2" / 130.1 lbs 2,116 x 1,261 x 285 / 59.0 kg	72.4" x 43.9" x 9.1" / 100.8 lbs 1,839 x 1,116 x 231 / 45.7 kg	63" x 38.2" x 7.5" / 62.6 lbs 1,600 x 970 x 190 / 28.4 kg	53.5" x 33" x 6.9" / 43 lbs 1,360 x 835 x 175 / 19.5 kg	47" x 30.3" x 6.2" / 29.5 lbs 1,193 x 770 x 158 / 13.4 kg	41.7" x 26" x 6" / 22.5 lbs 1,060 x 660 x 152 / 10.2 kg	
ELECTRICAL	Voltage	AC 120 V - 50 / 60 Hz	AC 120 V - 50 / 60 Hz	AC 120 V - 50 / 60 Hz	AC 120 V - 50 / 60 Hz	AC 120 V - 50 / 60 Hz	AC 120 V - 50 / 60 Hz	
	Power Consumption (Typical)	301W	221W	180.3W	145W	104W	99.1W	
	Standby Power	Under 0.5W	Under 0.5W	Under 0.5W	Under 0.5W	Under 0.5W	Under 0.5W	
OTHER	Warranty	3 Year Parts and Labor	3 Year Parts and Labor	3 Year Parts and Labor	3 Year Parts and Labor	3 Year Parts and Labor	3 Year Parts and Labor	
	Accessories	S-Con Remote, 2.0m Built-in Power Cord			S-Con Remote, 1.8m Right-Angle Power Cord			
	UPC	7 19192 63322 3	7 19192 63321 6	7 19192 63320 9	7 19192 63319 3	7 19192 63318 6	7 19192 63317 9	

\* Specifications are subject to change without notice, so please contact LG sales team to verify before ordering.



(866) 469-7111 toll free

sales@knitec.com

www.knitec.com

