



* Actual product appearance may differ from the above simulated scene.

Pro:Centric[®] Smart Hospitality 4K UHD TV

US660H9 Series

Commercial Lite	Pro:Centric Value	Pro:Centric Direct	Pro:Centric Smart
-----------------	-------------------	--------------------	--------------------------

The US660H Series is a premium 4K Ultra HD Smart TV that supports Pro:Centric Direct, LG's HTML application that offers customizable tools for LG's system Integrator partners to create unique, interactive application experiences. The US660H Series also supports Smart Share, Screen Share, Pro:Idiom[®].

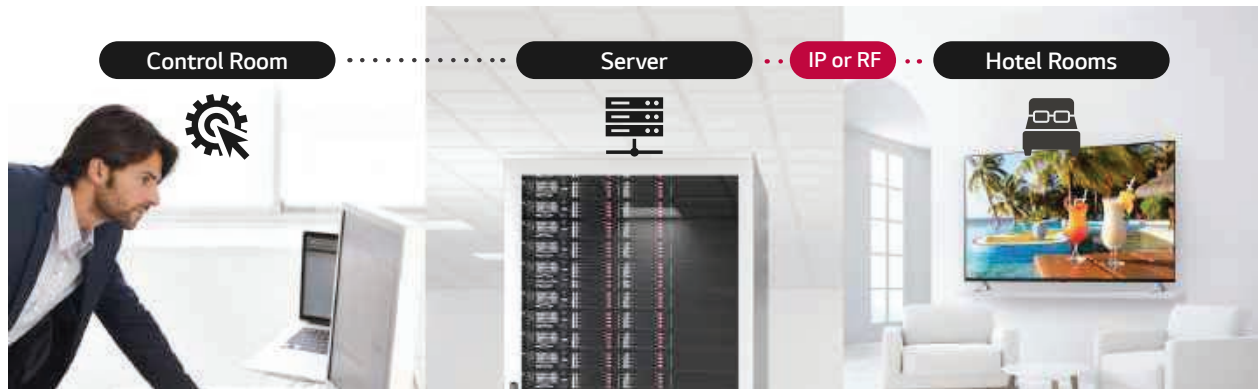
Pro:Centric Smart Hospitality 4K UHD TV

US660H9 SERIES

FEATURE HIGHLIGHTS

Pro:Centric Direct

LG's Pro:Centric Direct application enhances the in-room television experience for hotel guests. Guests can locate and enjoy available TV channels or access a wide range of over-the-top Smart apps, check on the daily weather and review available hotel amenities—all from the comfort of their room. In addition, the application provides the capability for IoT (Internet of Things)-based control of devices* equipped in next-generation hotel rooms.



* Some devices may have limited compatibility with IoT functions.

More Innovative LG webOS 5.0

Explore the latest LG Smart TV features that help extend the usability of your TV. Our newly added Mood Display enables the TV to appear as a customized clock, and Gallery mode creates the appearance of framed artwork that you can customize to reflect your space and rhythm of life.



Pro:Idiom

Digital Rights Management (DRM) technology provides access to premium content to help assure rapid and broad deployment of HDTV and other high-value digital content.



Images shown are for illustrative purposes only.

Pro:Centric Smart Hospitality 4K UHD TV US660H9 SERIES

FEATURE HIGHLIGHTS

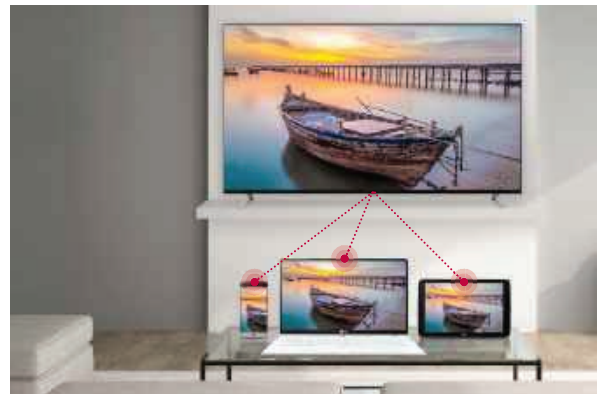
Gallery Mode

LG's Gallery Mode can turn the TV into a beautiful artwork display or choice photograph in a guest room or enhance the most elegant hospitality public spaces.



SoftAP

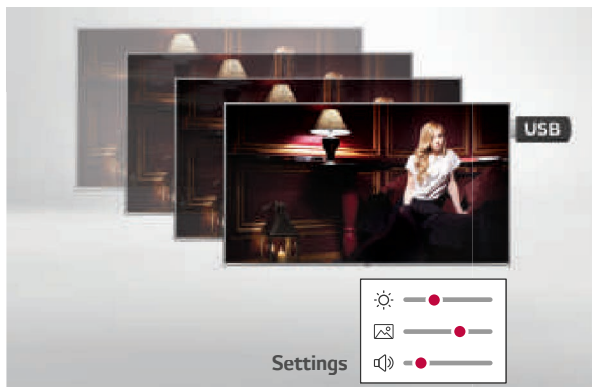
Software-enabled Access Point (SoftAP) is a "virtual" Wi-Fi feature that uses the TV as a wireless hotspot, enabling guests to connect their own devices to the SoftAP. It supports Bridge Mode, allowing administrators to manage in-room SoftAP information such as signal level, SoftAP passwords, and more.



* SoftAP should be setup in the installation menu after the TV is turned on. Smart Mirroring may not be operated at the same time.

USB Data Cloning

For fast and easy configuration of multiple TVs, create a Master TV Setup on one TV and then export the setup "clone" file to a USB memory device. Use the USB device to easily import the setup to other TVs of the same model.



Ultra HD (4K) Resolution

UHD delivers a resolution four times higher than that of Full HD, creating a more realistic and immersive television viewing experience. The stunning 8.3 million pixels create flawless images with incredibly vivid detail.



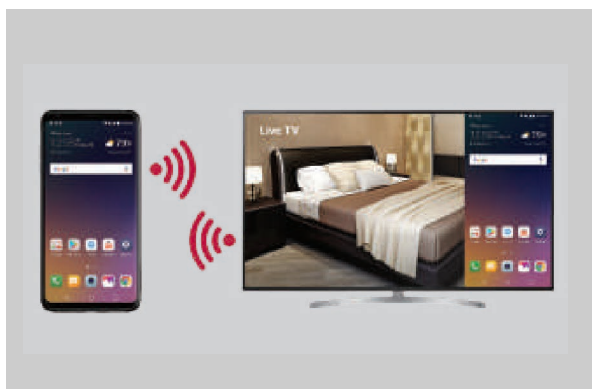
Images shown are for illustrative purposes only.

Pro:Centric Smart Hospitality 4K UHD TV US660H9 SERIES

FEATURE HIGHLIGHTS

Screen Share

Connect a smart phone or a laptop PC to the TV via a wireless connection. The TV will display the device's screen so guests can view and share their content and memories together.



Bluetooth Sound Sync

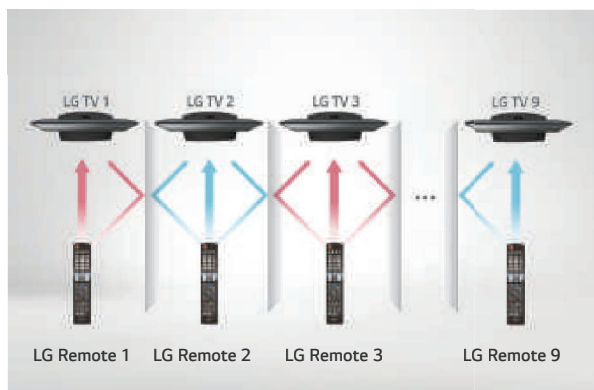
Bluetooth Sound Sync enables users to listen to music playing on a mobile device* through the TV's speakers via Bluetooth connection.



* Bluetooth Sound Sync supports Android (above v 4.4 KitKat) / iOS-based mobile devices.

Multi-code IR

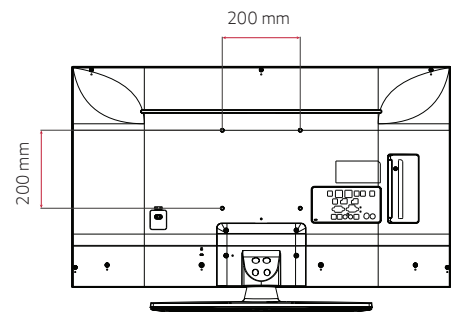
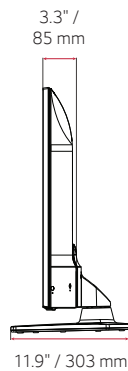
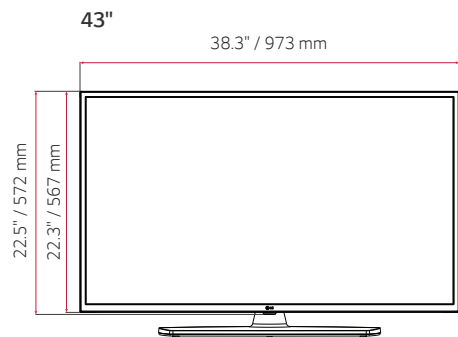
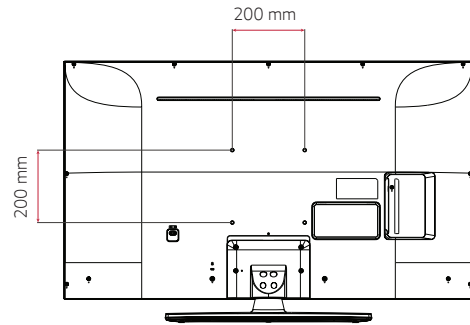
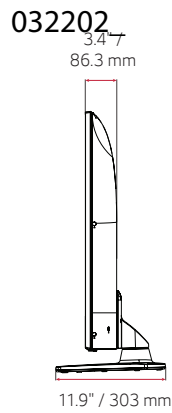
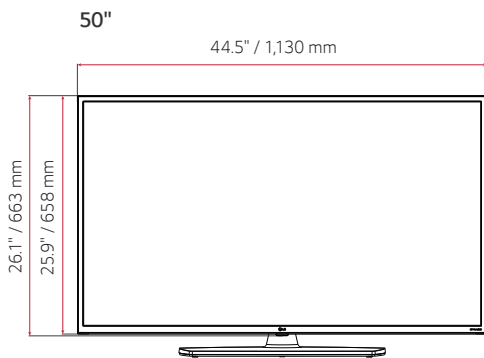
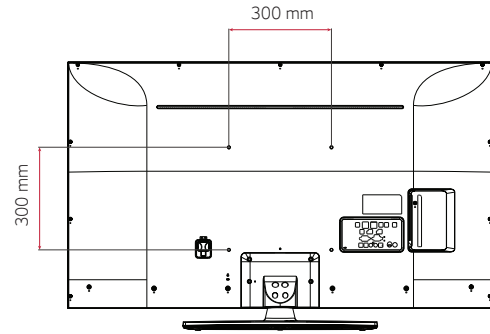
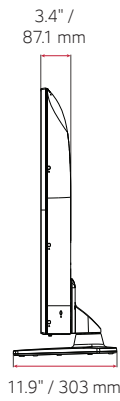
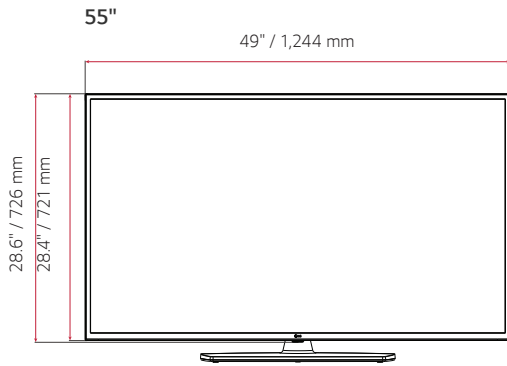
Multi-code IR* function eliminates any remote control signal interference between TVs in rooms with multiple TVs installed.



* Requires optional Multi-code IR remote.

Pro:Centric Smart Hospitality 4K UHD TV
US660H9 SERIES

DIMENSIONS



* Dimensions and jack panels may differ from the above image. Please contact your LG sales team to verify before ordering.

Pro:Centric Smart Hospitality 4K UHD TV

US660H9 SERIES

SPECIFICATIONS

		55US660H9UA	50US660H9UA	43US660H9UA
DISPLAY	Diagonal Size	55"	50"	43"
	Resolution	3,840 x 2,160 (UHD)	3,840 x 2,160 (UHD)	3,840 x 2,160 (UHD)
	Backlight Unit Type	Direct	Direct	Direct
	Brightness	400 nits	400 nits	400 nits
	Dynamic Contrast Ratio	1,000,000:1	1,000,000:1	1,000,000:1
	Refresh Rate	60 Hz	60 Hz	60 Hz
	Response Time (G to G)	8 ms	8 ms	8 ms
	Life Span	30,000 hours	30,000 hours	30,000 hours
VIDEO	HDR_HDR 10 Pro	Yes	Yes	Yes
	HDR_HLG	Yes	Yes	Yes
	UHD Contents Streaming Support	USB / IP / HDMI / RF	USB / IP / HDMI / RF	USB / IP / HDMI / RF
	Tru 4K Upscaler	Yes	Yes	Yes
BROADCASTING	Digital (Terrestrial, Cable, Satellite)	ATSC, Clear QAM	ATSC, Clear QAM	ATSC, Clear QAM
	Analog (NTSC / SECAM / PAL)	NTSC	NTSC	NTSC
	MPEG-2 / MPEG-4 H.264 Decoding	Yes	Yes	Yes
	Closed Caption	Yes	Yes	Yes
AUDIO	Speaker (Sound Output)	10 W + 10 W	10 W + 10 W	10 W + 10 W
	Speaker System	2.0 ch	2.0 ch	2.0 ch
	AI Sound	Yes	Yes	Yes
	One Touch Sound Tuning	Yes	Yes	Yes
	LG Sound Sync	Optical/Bluetooth Wireless	Optical/Bluetooth Wireless	Optical/Bluetooth Wireless
HOSPITALITY	Pro:Centric Data Streaming (IP & RF)	Yes	Yes	Yes
	HCAP (GEM / FLASH / HTML)	GEM / HTML5	GEM / HTML5	GEM / HTML5
	Pro:Centric IP Return Path	Yes	Yes	Yes
	Multicast / Unicast Ready	Yes / Yes	Yes / Yes	Yes / Yes
	Pro:Centric webRTC (Real Time Communication)	Yes with Javascript	Yes with Javascript	Yes with Javascript
	Pro:Centric Direct (HTML)	Yes	Yes	Yes
	Pro:Centric Application (Java)	Yes	Yes	Yes
	Quick Menu Version	4.0	4.0	4.0
SMART FEATURES	Pro:Idiom DRM (S/W, Mobile, Lite)	Yes	Yes	Yes
	Gallery Mode	Yes	Yes	Yes
	Web Browser	Yes	Yes	Yes
	CP App	Yes	Yes	Yes
	Magic Motion Remote (MMR) Compatibility	Yes	Yes	Yes
	SW Clock (World Clock / Alarm)	Yes	Yes	Yes
	SoftAP	Yes	Yes	Yes
	Wi-Fi	Yes	Yes	Yes
	Screen Share (Miracast / WiDi)	Yes	Yes	Yes
	Smart Share (DLNA)	Yes	Yes	Yes
	LG Connect (LG TV Plus App)	Yes	Yes	Yes
	Dial	Yes	Yes	Yes
	Beacon	Yes	Yes	Yes
	Bluetooth Sound Sync	Yes	Yes	Yes
	Mobile Connection Overlay	Yes	Yes	Yes

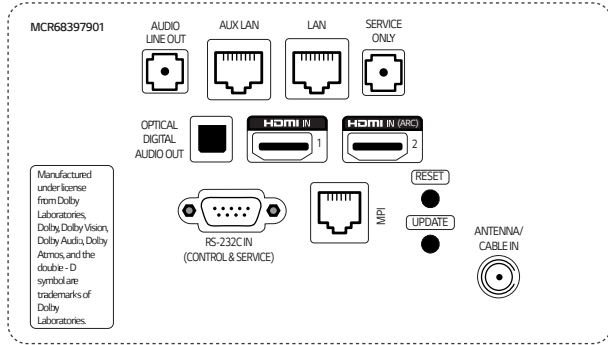
US660H9 SERIES

SPECIFICATIONS

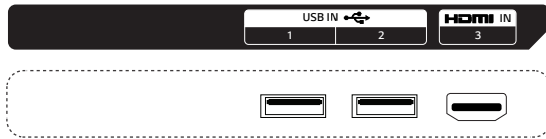
	55US660H9UA	50US660H9UA	43US660H9UA	
OTHER FEATURES	First Use Wizard	Yes	Yes	Yes
	USB Data Cloning	Yes	Yes	Yes
	Wake On RF	Yes	Yes	Yes
	WOL	Yes	Yes	Yes
	Diagnostics (IP Remote)	Yes	Yes	Yes
	SI Compatible	Yes (MPI, RS-232C)	Yes (MPI, RS-232C)	Yes (MPI, RS-232C)
	Simplink (HDMI-CEC) plus CEC-HTNG	Yes (1.4)	Yes (1.4)	Yes (1.4)
	IR Signal from Receiver (Logic Low Pulses)	MPI	MPI	MPI
	IR Signal from Receiver (Logic High Pulses)	RS-232C	RS-232C	RS-232C
	Multi-code IR	Yes	Yes	Yes
	Installer Menu	Yes	Yes	Yes
	Welcome Screen (Boot Logo)	Yes	Yes	Yes
	Insert Image	Yes	Yes	Yes
	One Channel Map (LCM)	Yes	Yes	Yes
	Instant On	Yes	Yes	Yes
	VLAN ID	Yes	Yes	Yes
RJP (Remote Jack Pack) Compatibility	HDMI (CEC)	HDMI (CEC)	HDMI (CEC)	
Auto Off / Sleep Timer	Yes / Yes	Yes / Yes	Yes / Yes	
Embedded b-LAN	No	No	No	
INTERFACES	HDMI In	3 (2.0)	3 (2.0)	3 (2.0)
	USB In	2 (2.0)	2 (2.0)	2 (2.0)
	Antenna / Cable In (RF)	1	1	1
	Optical Digital Audio Out	1	1	1
	RS-232C (Control & Service)	D-Sub 9 pin	D-Sub 9 pin	D-Sub 9 pin
	RJ45	2 (Ethernet, Aux)	2 (Ethernet, Aux)	2 (Ethernet, Aux)
	Audio Line Out	3.5mm Stereo Jack	3.5mm Stereo Jack	3.5mm Stereo Jack
	MPI Port (RJ12)	1	1	1
	Service Only	3.5mm Stereo Jack	3.5mm Stereo Jack	3.5mm Stereo Jack
MECHANICALS	Stand Type	1 Pole Swivel Stand	1 Pole Swivel Stand	1 Pole Swivel Stand
	Front Color	Ceramic Black	Ceramic Black	Ceramic Black
	VESA Compatible	300 x 300	200 x 200	200 x 200
	Lock Down Plate	Yes	Yes	Yes
	Chromecast Anti-theft Cover	Yes (Optional)	Yes (Optional)	Yes (Optional)
	Weight without Stand	31.5 lbs / 14.3 kg	25.3 lbs / 11.5 kg	17.6 lbs / 8 kg
	Weight with Stand	38.5 lbs / 17.5 kg	32 lbs / 14.5 kg	24.7 lbs / 11.2 kg
	Shipping Weight	51.1 lbs / 23.2 kg	40.3 lbs / 18.3 kg	30.9 lbs / 14 kg
	Dimensions without Stand (W x H x D)	49" x 28.6" x 3.4" 1,244 x 726 x 87.1 mm	44.5" x 26.1" x 3.4" 1,130 x 663 x 86.3 mm	38.3" x 22.5" x 3.3" 973 x 572 x 85 mm
	Dimensions with Stand (W x H x D)	49" x 30.7" x 11.9" 1,244 x 780 x 303 mm	44.5" x 28.4" x 11.9" 1,130 x 722 x 303 mm	38.3" x 24.6" x 11.9" 973 x 626 x 303 mm
Shipping Dimensions (W x H x D)	55.5" x 33.9" x 8.1" 1,410 x 860 x 207 mm	52.2" x 31.9" x 7.9" 1,325 x 810 x 200 mm	45.2" x 26" x 7.5" 1,147 x 660 x 190 mm	
Bezel Width (L / R / T / B): On Bezel	17 / 17 / 17/23.8 mm	17 / 17 / 17/23.8 mm	15.5/15.5/15.5/21.7 mm	
Bezel Width (L / R / T / B): Off Bezel	15.5/15.5/15.5 / 22.3 mm	15.5/15.5/15.5 / 22.3 mm	14 / 14/14 / 20.2 mm	
POWER	Power Supply (Voltage, Hz)	120 Vac - 50/60 Hz	120 Vac - 50/60 Hz	120 Vac - 50/60 Hz
	Max Power Consumption	160 W	140 W	120 W
	Typical Power Consumption	72.1 W	66 W	51 W
	Standby Power Consumption	Less than 0.5 W	Less than 0.5 W	Less than 0.5 W
WARRANTY & OTHER	Standards & Certification	UL & FCC	UL & FCC	UL & FCC
	UPC Code	1 95174 03307 4	1 95174 03279 4	1 95174 03290 9
	Warranty	Two-Year Limited Warranty	Two-Year Limited Warranty	Two-Year Limited Warranty
	Remote Type	S-Con / MMR (Optional)	S-Con / MMR (Optional)	S-Con / MMR (Optional)
	Power Cable	1.8 m, Angle Type	1.8 m, Angle Type	1.8 m, Angle Type

CONNECTIVITY

Rear



Side



Design and specifications are subject to change without notice. Please contact your LG sales team to verify before ordering.



- 🌐 www.lg.com/us/business/commercial-display
- 🐦 [www.twitter.com/LGCommDisplays](https://twitter.com/LGCommDisplays)
- 📘 www.facebook.com/LGcommercialdisplays
- 🌐 www.linkedin.com/company/lg-commercial-displays-usa
- 📺 www.youtube.com/lgcommercialdisplayusa
- ☎️ 800-228-1236 | Hospitality Sales

© Copyright 2022 ©LG Electronics USA, Inc. All rights reserved. LG and the LG logo are registered trademarks of LG Corp. All other trademarks are the property of their respective owners. Prices, promotions, and availability may vary by dealer. The information contained herein is subject to change without notice. All screen images are simulated. SPEC_US660H9_032202_LR

