



* All images are for illustrative purposes only.

UHD Signage 65/55/49/43" UH5F-H

LG UHD Signage



Clear View with Non-glare Coating



Superb Picture Quality



Sleek and Practical Design



Product Reliability

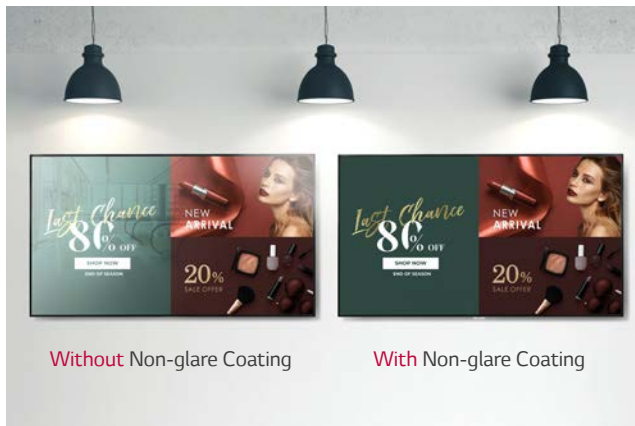


webOS Smart Platform



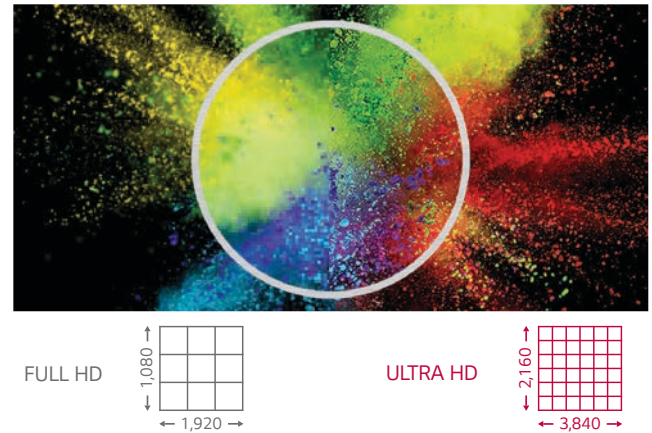
Meeting Room Solution

SUPERB PICTURE QUALITY



Clear View with Non-glare Coating

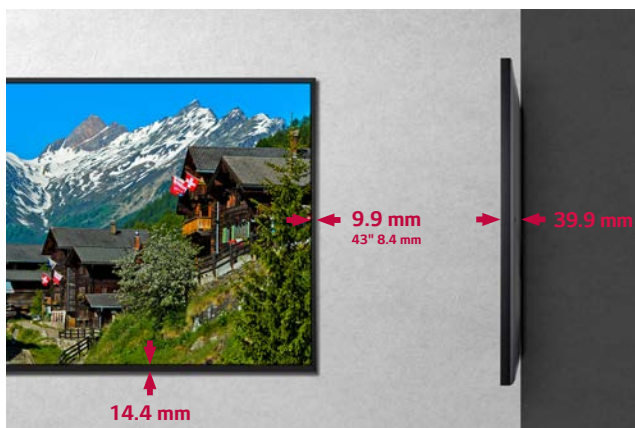
Viewers can be distracted by unnecessary reflections when watching a screen under brightly lit conditions. The UH5F-H series has resolved such inconveniences by increasing the level of haze, which enhances visibility and text readability.



ULTRA HD Resolution

With resolution that is 4 times higher than Full HD, Ultra HD makes the color and details of the contents more vivid and realistic. In addition, the wide viewing angle enabled by LG IPS Panel, provides clear contents with no distortion.

SLEEK AND PRACTICAL DESIGN



Narrow Bezel & Slim Depth

This series has a smaller bezel size and thickness, which saves space and enables easy installation. In addition, it increases the immersive experience from the screen and provides a sophisticated design, improving the décor of the space where the product is installed.



Detachable Logo and Built-in Speaker

This series is equipped with a new transparent logo which is well organized with surroundings. Also, it is removable so users have flexibility during installation. Contents will be enriched with sound effects from built-in speakers, without the need for purchasing or installing external speakers.

PRODUCT RELIABILITY



IP5x Certified Design

The IP5x Dust-Proof Certification ensures that the product is completely protected from dust, eliminating the risk of performance degradation.

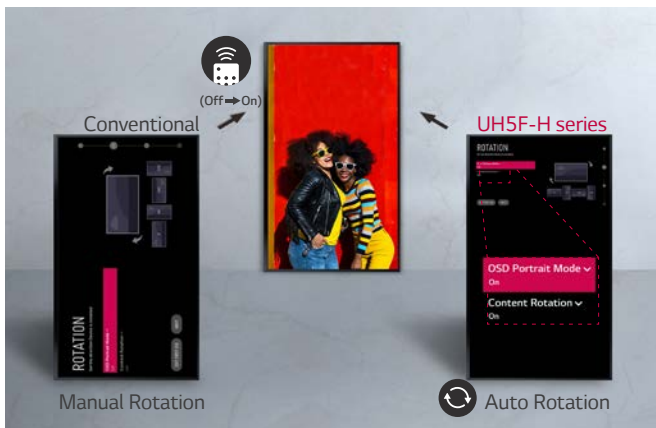


30° Tilting Installation

When a display is installed at high places, it is usually tilted for the user's comfort viewing. In consideration of this, the UH5F series supports the installation with 30 degrees of tilt*.

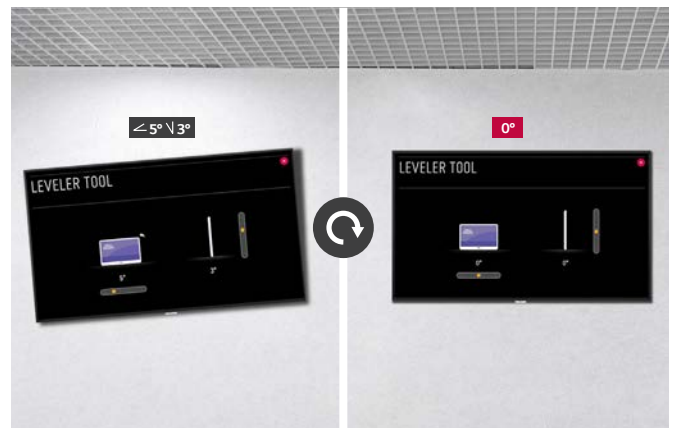
* Tilt installation of up to 30 degrees facedown is supported. (In conditions within 30°C temperature, 50% humidity)

EASY INSTALLATION



Auto Screen Rotation

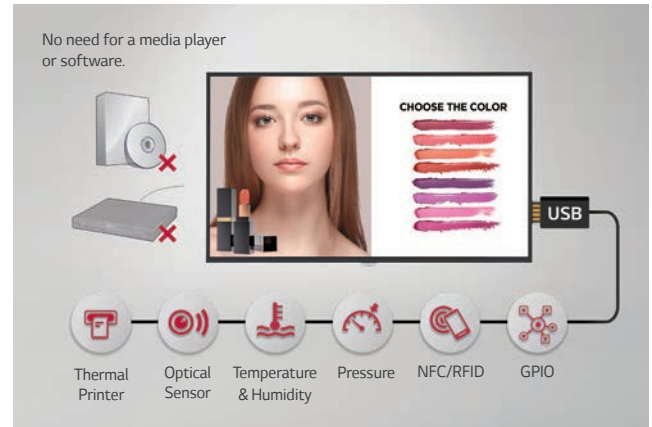
This series automatically detects its orientation (landscape or portrait mode) in the initial installation step, so manual rotation set-up process isn't required. The direction of display and background contents will be already set when you turn on a display at first.



Fine Adjustment

This UH5F-H series is equipped with a "horizontal sensor" which shows users how the device is tilt, so that it can be precisely installed.

webOS SMART SIGNAGE PLATFORM



High-Performance with webOS

The UH5F-H series has a built-in Quad Core System-on-Chip (SoC) that can execute several tasks at once while providing smooth content playback without the need for a media player. Utilizing the SoC, LG's webOS smart signage platform has a convenient graphical user interface and simple app development tools.

Various Sensor Applications

LG webOS smart signage platform easily supports connections with external sensors such as GPIO, NFC/RFID, temperature sensors, etc. via USB plug-in. That means there is no cost to purchase or maintain additional software or media players for creating value-added solutions.

MEETING ROOM SOLUTION COMPATIBILITY



Compatible with AV Control Systems

The UH5F-H series has been certified Crestron Connected® for high compatibility with professional AV controls to achieve seamless integration and network-based control, boosting business management efficiency.

Compatible with Video Conference System

The UH5F is compatible with Cisco conferencing systems that offer powerful HDMI-based control for a smarter video conference experience that avoids wasted time setting up the picture or input settings.

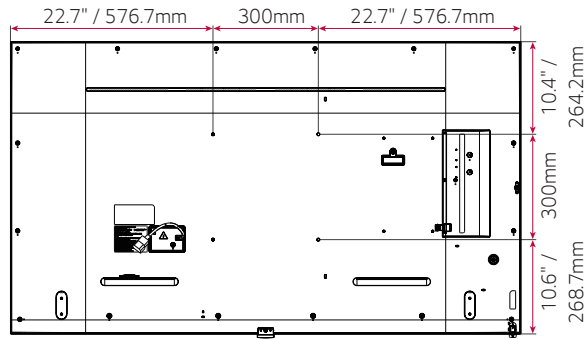
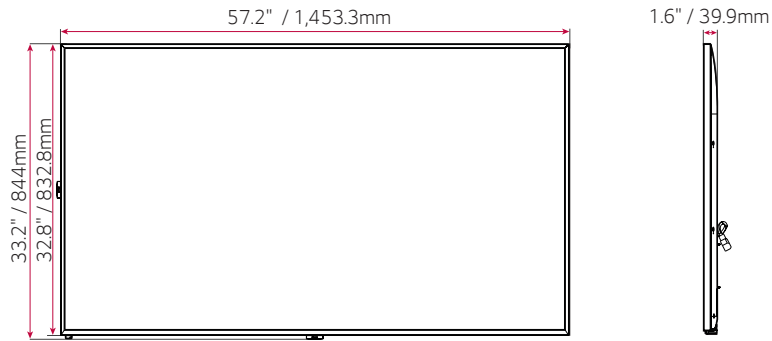
SPECIFICATIONS

| | 65UH5F-H | 55UH5F-H | 49UH5F-H | 43UH5F-H | | |
|------------------------------------|--|---|---|---|---|------|
| PANEL | Screen Size | 65" | 55" | 49" | 43" | |
| | Panel Technology | IPS | IPS | IPS | IPS | |
| | Back Light Type | Edge | Edge | Edge | Edge | |
| | Aspect Ratio | 16:9 | 16:9 | 16:9 | 16:9 | |
| | Native Resolution | 3840 x 2160 (UHD) | 3840 x 2160 (UHD) | 3840 x 2160 (UHD) | 3840 x 2160 (UHD) | |
| | Refresh Rate | 60 Hz | 60 Hz | 60 Hz | 60 Hz | |
| | Brightness (Typ) | 500 nits | 500 nits | 500 nits | 500 nits | |
| | Contrast Ratio | 1,100:1 | 1,100:1 | 1,000:1 | 1,100:1 | |
| | Dynamic CR | 1,000,000:1 | 1,000,000:1 | 1,000,000:1 | 1,000,000:1 | |
| | Color gamut | BT709 95% | BT709 95% | BT709 95% | BT709 95% | |
| | Viewing Angle(H x V) | 178° X 178° | 178° X 178° | 178° X 178° | 178° X 178° | |
| | Color Depth | 10 bit, 1.07 Billion colors | 10 bit, 1.07 Billion colors | 10 bit, 1.07 Billion colors | 10 bit, 1.07 Billion colors | |
| | Response Time (G to G) | 8 ms | 8 ms | 8 ms | 8 ms | |
| | Surface Treatment (Haze) | 28% | 28% | 28% | 28% | |
| | Lifetime | 50,000 Hrs | 50,000 Hrs | 50,000 Hrs | 50,000 Hrs | |
| Operation Hours (Hours/Day) | 24/7 | 24/7 | 24/7 | 24/7 | | |
| Portrait / Landscape | Yes / Yes | Yes / Yes | Yes / Yes | Yes / Yes | | |
| SOUND | Yes | Yes | Yes | Yes | | |
| CONNECTIVITY | HDMI IN | Yes (3) HDMI1/HDMI2: HDCP 2.2/1.4 HDMI3: HDCP 1.4 | Yes (3) HDMI1/HDMI2: HDCP 2.2/1.4 HDMI3: HDCP 1.4 | Yes (1), HDCP2.2/1.3 | Yes (1), HDCP2.2/1.3 | |
| | DP IN | Yes (1), HDCP1.4 | Yes (1), HDCP1.4 | Yes (1), HDCP1.4 | Yes (1), HDCP1.4 | |
| | DVI-D IN | Yes (1), HDCP1.4 | Yes (1), HDCP1.4 | Yes (1), HDCP1.4 | Yes (1), HDCP1.4 | |
| | Audio In | Yes | Yes | Yes | Yes | |
| | RS232C IN | Yes (1), 4pin 3.5mm Jack | Yes (1), 4pin 3.5mm Jack | Yes (1), 4pin 3.5mm Jack | Yes (1), 4pin 3.5mm Jack | |
| | RJ45 (LAN) IN | Yes | Yes | Yes | Yes | |
| | IR IN | Yes | Yes | Yes | Yes | |
| | USB IN | USB2.0 Type A(1) | USB2.0 Type A(1) | USB2.0 Type A(1) | USB2.0 Type A(1) | |
| | DP Out | Yes (1), Input: HDMI1/2/3/DVI/DP | Yes (1), Input: HDMI1/2/3/DVI/DP | Yes (1), Input: HDMI1/2/3/DVI/DP | Yes (1), Input: HDMI1/2/3/DVI/DP | |
| | Audio Out | Yes | Yes | Yes | Yes | |
| RS232C OUT | Yes (1), 4pin 3.5mm Jack | Yes (1), 4pin 3.5mm Jack | Yes (1), 4pin 3.5mm Jack | Yes (1), 4pin 3.5mm Jack | | |
| MECHANICAL | Bezel Color | Black | Black | Black | Black | |
| | Bezel Width | T/R/L: 9.9mm, B: 14.4mm | T/R/L: 9.9mm, B: 14.4mm | T/R/L: 9.9mm, B: 14.4mm | T/R/L: 8.4mm, B: 14.4mm | |
| | Weight(Head) | 62.3 lbs / 28.2 kg | 41.9 lbs / 19.0 kg | 34.0 lbs / 15.4 kg | 24.7 lbs / 11.2 kg | |
| | Packed Weight | 77.2 lbs / 35.0 kg | 53.4 lbs / 24.2 kg | 41.4 lbs / 18.8 kg | 30.2 lbs / 13.7 kg | |
| | Monitor Dimension (W x H x D) | 57.2 x 33.2 x 1.6 in 1453.3 x 844.0 x 39.9 mm | 48.6 x 28.4 x 1.6 in 1234.4 x 720.9 x 39.9 mm | 43.3 x 25.4 x 1.6 in 1098.6 x 644.5 x 39.9 mm | 37.9 x 22.4 x 1.6 in 962.5 x 568.0 x 39.9 mm | |
| | Carton Dimensions (W x H x D) (Box outer size) | 63.0 x 43.1 x 6.9 in 1600.0 x 1095.0 x 175.0 mm | 53.5 x 32.9 x 6.9 in 1360.0 x 835.0 x 175.0 mm | 47.1 x 30.5 x 6.4 in 1197.0 x 775.0 x 162.0 mm | 41.7 x 26.0 x 6.0 in 1060.0 x 660.0 x 152.0 mm | |
| | Handle | Yes | Yes | Yes | Yes | |
| | VESA™ Standard Mount Interface | 300 x 300 | 300 x 300 | 300 x 300 | 200 x 200 | |
| | Tilt (Face Down) | Yes (Max 30°, 30°C temp, 50% humidity) | Yes (Max 30°, 30°C temp, 50% humidity) | Yes (Max 30°, 30°C temp, 50% humidity) | Yes (Max 30°, 30°C temp, 50% humidity) | |
| | Operation Temperature | 32°F to 104°F / 0°C to 40°C | 32°F to 104°F / 0°C to 40°C | 32°F to 104°F / 0°C to 40°C | 32°F to 104°F / 0°C to 40°C | |
| | Operation Humidity | 10 % to 80 % | 10 % to 80 % | 10 % to 80 % | 10 % to 80 % | |
| | OPS type compatible | Yes | Yes | Yes | Yes | |
| | OPS Power built in | No | No | No | No | |
| | KEY FEATURES | Internal Memory | 8 GB | 8 GB | 8 GB | 8 GB |
| | | Built-in Wi-Fi | Yes | Yes | Yes | Yes |
| Temperature Sensor | | Yes | Yes | Yes | Yes | |
| Auto Brightness sensor | | Yes | Yes | Yes | Yes | |
| Local Key Operation | | Yes | Yes | Yes | Yes | |
| webOS ver. | | webOS4.1 | webOS4.1 | webOS4.1 | webOS4.1 | |
| Local Contents Scheduling | | Yes | Yes | Yes | Yes | |
| Group Manager | | Yes | Yes | Yes | Yes | |
| USB Plug & Play | | Yes | Yes | Yes | Yes | |
| Fail over | | Yes | Yes | Yes | Yes | |
| Booting Logo Image | | Yes | Yes | Yes | Yes | |
| No Signal Image | | Yes | Yes | Yes | Yes | |
| RS-232C Sync | | Yes | Yes | Yes | Yes | |
| Local Network Sync | | Yes | Yes | Yes | Yes | |
| PIP | | Yes | Yes | Yes | Yes | |
| PBP | | Yes (4) | Yes (4) | Yes (4) | Yes (4) | |
| Screen Share | | Yes | Yes | Yes | Yes | |
| Video Tag | | Yes (4) | Yes (4) | Yes (4) | Yes (4) | |
| Play via URL | | Yes | Yes | Yes | Yes | |
| Screen Rotation | | Yes | Yes | Yes | Yes | |
| External Input Rotation | | Yes | Yes | Yes | Yes | |
| Gapless Playback | | Yes | Yes | Yes | Yes | |
| Tile Mode Setting | | Yes (Max. 15x15) | Yes (Max. 15x15) | Yes (Max. 15x15) | Yes (Max. 15x15) | |
| Setting Data Cloning | | Yes | Yes | Yes | Yes | |
| SNMP | | Yes | Yes | Yes | Yes | |
| ISM Method | | Yes | Yes | Yes | Yes | |
| Auto Set ID | | Yes | Yes | Yes | Yes | |
| Status Mailing | | Yes | Yes | Yes | Yes | |
| Control Manager | | Yes | Yes | Yes | Yes | |
| Crestron Inside | | Yes | Yes | Yes | Yes | |
| Smart Energy Saving | | Yes | Yes | Yes | Yes | |
| PM mode | | Yes | Yes | Yes | Yes | |
| Wake on LAN | | Yes | Yes | Yes | Yes | |
| Beacon | | Yes | Yes | Yes | Yes | |
| HDMI-CEC | | Yes | Yes | Yes | Yes | |
| SI Server Setting | Yes | Yes | Yes | Yes | | |
| webRTC | Yes | Yes | Yes | Yes | | |
| Prodiom | Yes | Yes | Yes | Yes | | |
| POWER | Power Supply | 100-240 Vac, 50/60 Hz | 100-240 Vac, 50/60 Hz | 100-240 Vac, 50/60 Hz | 100-240 Vac, 50/60 Hz | |
| | Power Type | Built-In Power | Built-In Power | Built-In Power | Built-In Power | |
| | Typ. Power | 120W | 105W | 95W | 75W | |
| | Max. Power | 165W | 145W | 130W | 110W | |
| | BTU (British Thermal Unit) | 409 BTU/Hr (Typ.) / 563 BTU/Hr (Max) | 358 BTU/Hr (Typ.) / 495 BTU/Hr (Max) | 324 BTU/Hr (Typ.) / 444 BTU/Hr (Max) | 256 BTU/Hr (Typ.) / 375 BTU/Hr (Max) | |
| | Smart Energy Saving | 96 W | 84 W | 76 W | 60 W | |
| | DPM | 0.5 W | 0.5 W | 0.5 W | 0.5 W | |
| Power off | 0.5 W | 0.5 W | 0.5 W | 0.5 W | | |
| LG SOFTWARE & SERVICES* | SuperSign CMS | Yes | Yes | Yes | Yes | |
| | SuperSign Control / Control+ | Yes / Yes | Yes / Yes | Yes / Yes | Yes / Yes | |
| | SuperSign WB | Yes | Yes | Yes | Yes | |
| | SuperSign Media Editor | Yes | Yes | Yes | Yes | |
| | Signage365 Care | Yes | Yes | Yes | Yes | |
| WARRANTY & OTHER | Warranty | 3 Year Limited | 3 Year Limited | 3 Year Limited | 3 Year Limited | |
| | FCC (Regulatory) | Class A | Class A | Class A | Class A | |
| | CE (Regulatory) | Yes | Yes | Yes | Yes | |
| | ErP | Yes | Yes | Yes | Yes | |
| | Energy Star | Yes | Yes | Yes | Yes | |
| | Basic Accessories | Remote Control (battery 2ea), Power Cord, QSG, IR/Light receiver, DP Cable (1.8m), Regulation Book, Phone to RS232C Adapter | | | | |

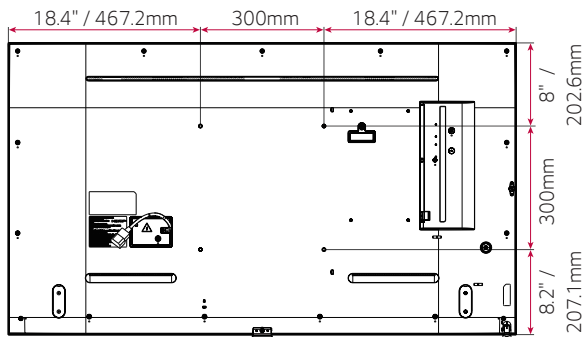
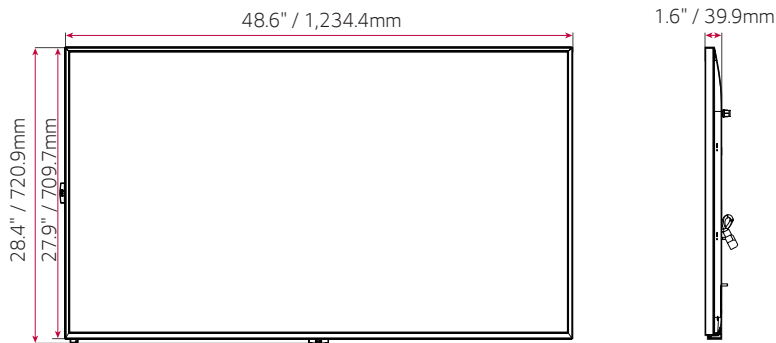
* SuperSign CMS, Control+, White Balance and Signage365 Care are optional pay-for software/services.

DIMENSIONS

65"

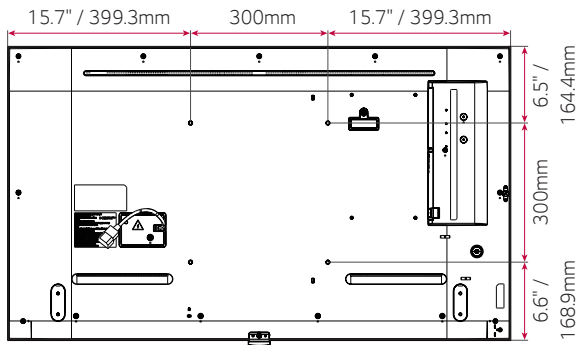
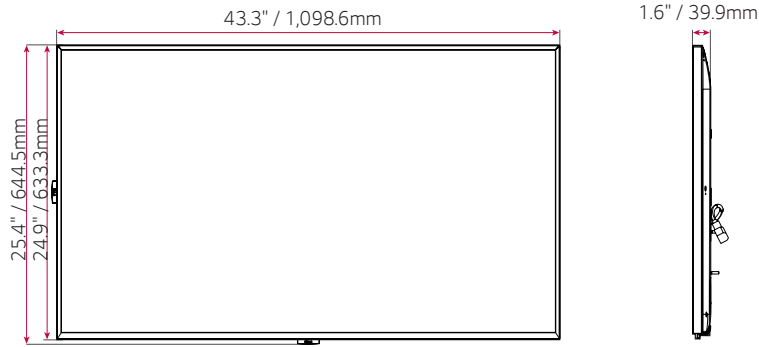


55"

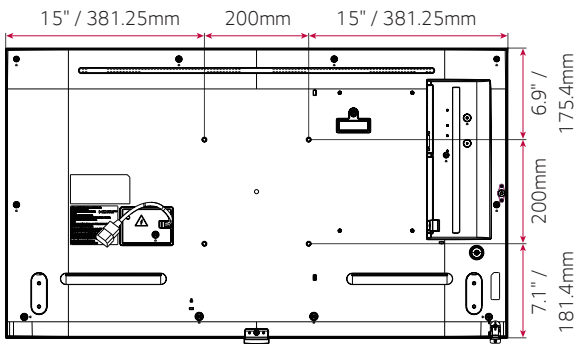
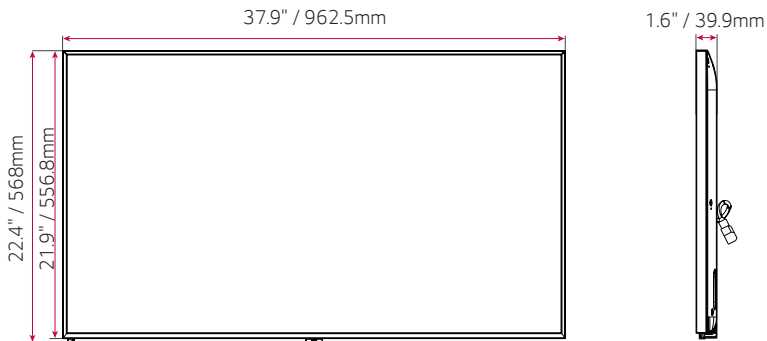


DIMENSIONS

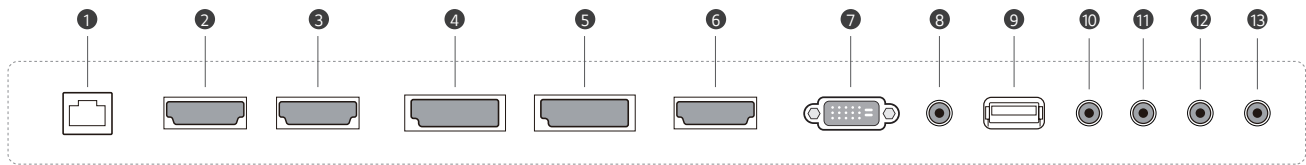
49"



43"



CONNECTIVITY



- | | | | |
|------------|---------------------|--------------|---------------|
| ① LAN | ⑤ DP OUT | ⑨ USB IN | ⑬ RS-232C OUT |
| ② HDMI IN1 | ⑥ HDMI IN3 | ⑩ AUDIO IN | |
| ③ HDMI IN2 | ⑦ DVI-D IN | ⑪ AUDIO OUT | |
| ④ DP IN | ⑧ IR & LIGHT SENSOR | ⑫ RS-232C IN | |

* Dimensions & Jack Panels may differ from the above image, so please contact LG sales team to verify before ordering.

