

P-Series Low-Profile Flat Mount for Flat Panel Displays

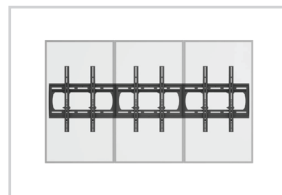
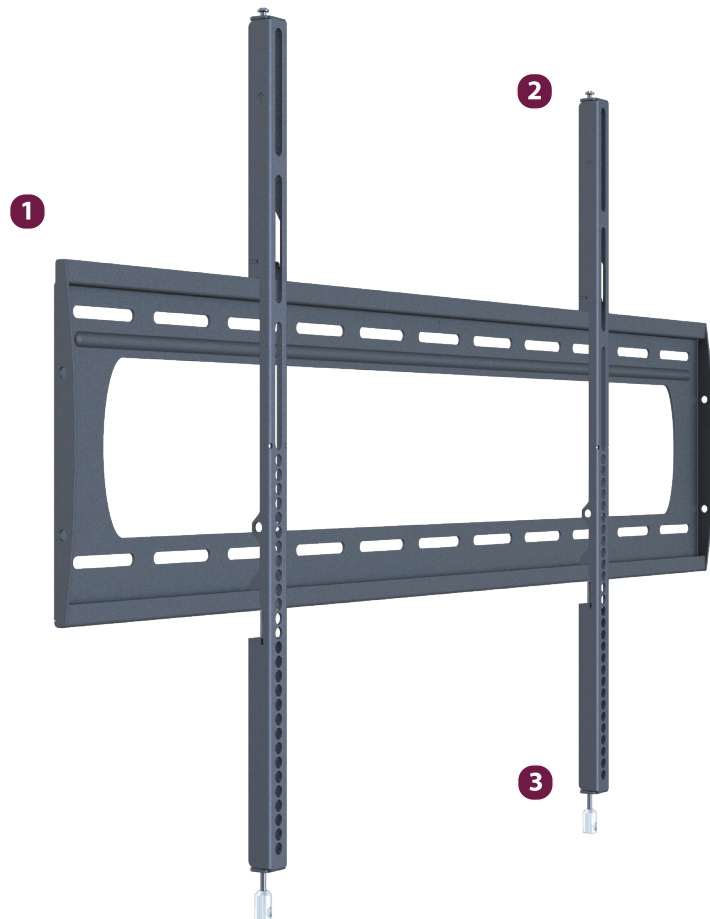
Models: **P2642F, P4263F, P5080F, P4263FP**

Weight Capacity: 130 - 300 lb / 59 - 136 kg.

Features

- 1** Holds flat panel displays less than 1 inch from the wall
 - 2** Post-installation leveling system
 - 3** Lock-It™ security barrel included
- Built-in lateral shift
 - Open design for easy cable and electrical access
 - Mounting kit includes wood, concrete and steel stud attachment hardware
 - P5080F model is built of heavy-duty material to withstand the weight of larger displays

The P-Series Low-Profile Flat Mounts are for flat panels weighing 130-300 lb. They feature post-installation leveling, lateral alignment, locking security sections and an open mounting frame for easy access to power sources and cables. Products in the P-Series Flat Mount line include the P2642F, P4263F, P5080F and P4263FP mounts.



P4263FP available in portrait mode for digital menu board applications



Accessories available for shelving and in-wall storage options



Lock-It™ Security barrels to deter removal of flat panel displays

P-Series Flat Mount

P2642F, P4263F, P5080F, P4263FP

Specifications

Weight	Color	Weight Capacity / Mount	Mounting Pattern
P2642F 9.58 lb. 4.4 kg	Black	130 lb. 59.1 kg	200 x 200 mm (Min) x 535 x 400 mm (Max)
P4263F 12.02 lb. 5.5 kg	Black	175 lb. 79.5 kg	200 x 200 mm (Min) x 815 x 525 mm (Max)
P5080F 18.4 lb. 8.4 kg	Black	300 lb. 136.4 kg	200 x 200 mm (Min) x 1110 x 705 mm (Max)
P4263FP 12.32 lb. 5.6 kg	Black	175 lb. 79.5 kg	200 x 200 mm (Min) x 535 x 705 mm (Max)




Width x Height x Depth	Total Weight Capacity	Warranty
P2642F 22.41 x 16.5 x 0.96 in. 569 x 419 x 24 mm	130 lb. 59.1 kg	Lifetime
P4263F 33.25 x 21.38 x 0.95 in. 845 x 543 x 24 mm	175 lb. 79.5 kg	Lifetime
P5080F 45.21 x 30.67 x 0.96 in. 1148 x 779 x 24 mm	300 lb. 136.4 kg	Lifetime
P 4263FP 22.41 x 30.67 x 0.96 in. 569 x 779 x 24 mm	175 lb. 79.5 kg	Lifetime

Packaging

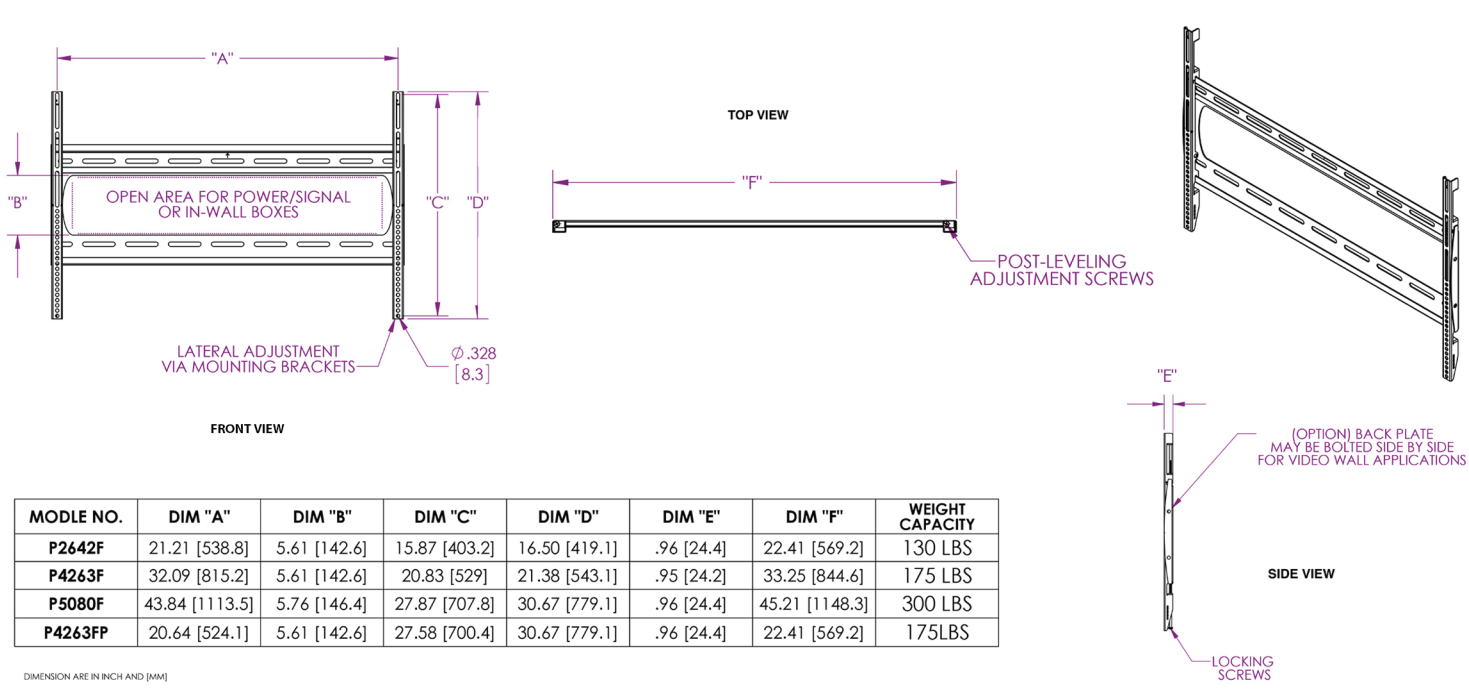
Width x Height x Depth
11.75 x 2.25 x 23.5 in. 298 x 57 x 597 mm
11.75 x 2.25 x 34.25 in. 298 x 57 x 870 mm
12 x 2.25 x 46.5 in. 305 x 57 x 1181 mm
14.5 x 1.75 x 30.75 in. 368 x 44 x 781 mm

Contents
Back Plate (x1), Adapter Arms (x2), PM Series Hardware Pack (x1)
Back Plate (x1), Adapter Arms (x2), PM Series Hardware Pack (x1)
Back Plate (x1), Adapter Arms (x2), PM Series Hardware Pack (x1)
Back Plate (x1), Adapter Arms (x2), PM Series Hardware Pack (x1)

Accessories

 <p>In-wall A/V and Power GearBox™ GB-INWAVPB</p>	 <p>A/V Shelving System for P-Series Mounts SHLF-VE</p>	 <p>Video Conference Shelf for P-Series SHLF-VC</p>
--	--	--

Architectural Drawing



FRONT VIEW

TOP VIEW

SIDE VIEW

OPEN AREA FOR POWER/SIGNAL OR IN-WALL BOXES

LATERAL ADJUSTMENT VIA MOUNTING BRACKETS

Ø .328 [8.3]

POST-LEVELING ADJUSTMENT SCREWS

(OPTION) BACK PLATE MAY BE BOLTED SIDE BY SIDE FOR VIDEO WALL APPLICATIONS

LOCKING SCREWS

MODE NO.	DIM "A"	DIM "B"	DIM "C"	DIM "D"	DIM "E"	DIM "F"	WEIGHT CAPACITY
P2642F	21.21 [538.8]	5.61 [142.6]	15.87 [403.2]	16.50 [419.1]	.96 [24.4]	22.41 [569.2]	130 LBS
P4263F	32.09 [815.2]	5.61 [142.6]	20.83 [529]	21.38 [543.1]	.95 [24.2]	33.25 [844.6]	175 LBS
P5080F	43.84 [1113.5]	5.76 [146.4]	27.87 [707.8]	30.67 [779.1]	.96 [24.4]	45.21 [1148.3]	300 LBS
P4263FP	20.64 [524.1]	5.61 [142.6]	27.58 [700.4]	30.67 [779.1]	.96 [24.4]	22.41 [569.2]	175LBS

DIMENSION ARE IN INCH AND [MM]

Specifications subject to change without notice