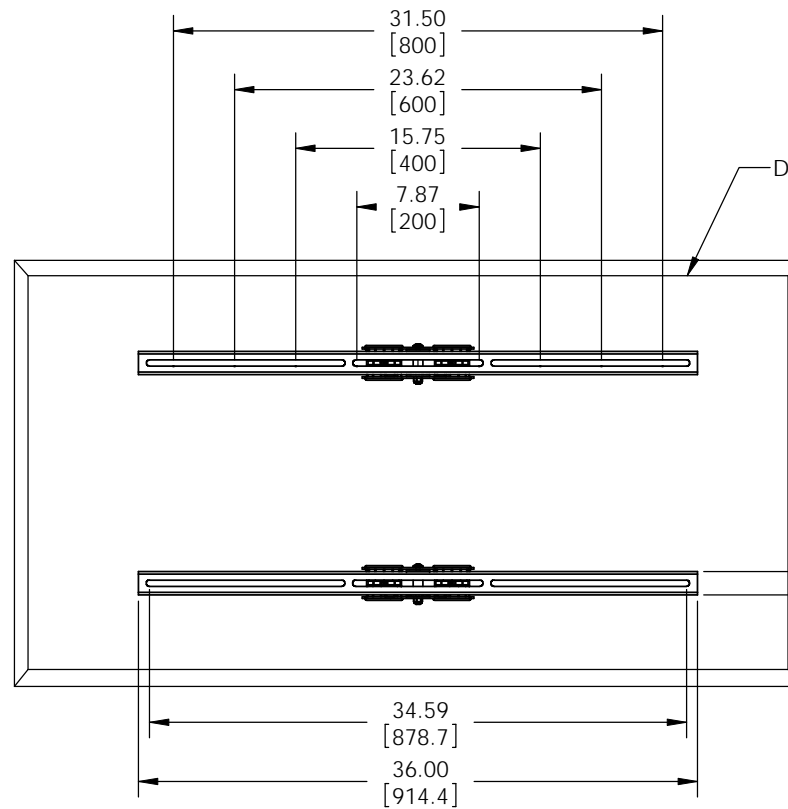
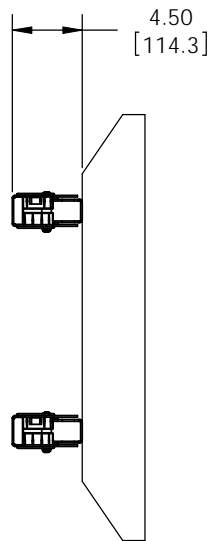
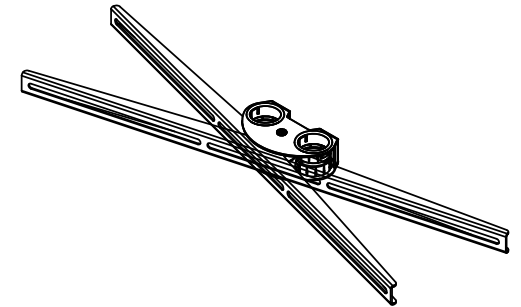
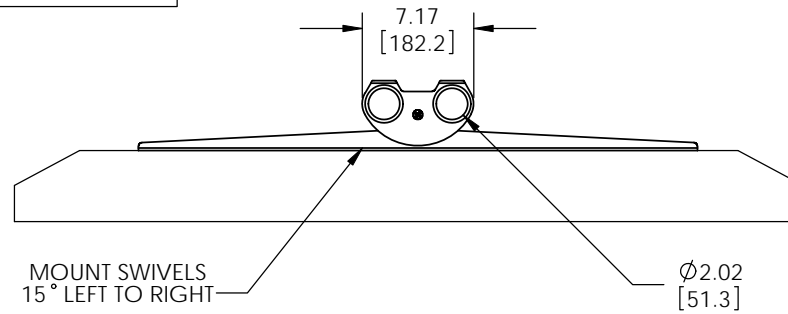


THE INFORMATION CONTAINED IN THIS DRAWING IS THE SOLE PROPERTY OF PREMIER MOUNTS DIVISION OF <PMPI>. ANY REPRODUCTION IN PART OR WHOLE WITHOUT THE WRITTEN PERMISSION OF PREMIER MOUNTS DIVISION OF <PMPI> IS PROHIBITED.



1.50 [38.1]

(WORKS WITH DUAL POLE CARTS & STANDS)

**PREMIER MOUNTS®**  
CREATING POSITIVE CUSTOMER EXPERIENCES

3130 East Miraloma Avenue  
Anaheim, CA 92806  
P. 800.368.9700 - F. 800-832.4888

ITEM DESCRIPTION:		USA
SIZE	DWG. NO.	
B		
SCALE: 1:8		SHEET 1 OF 1