

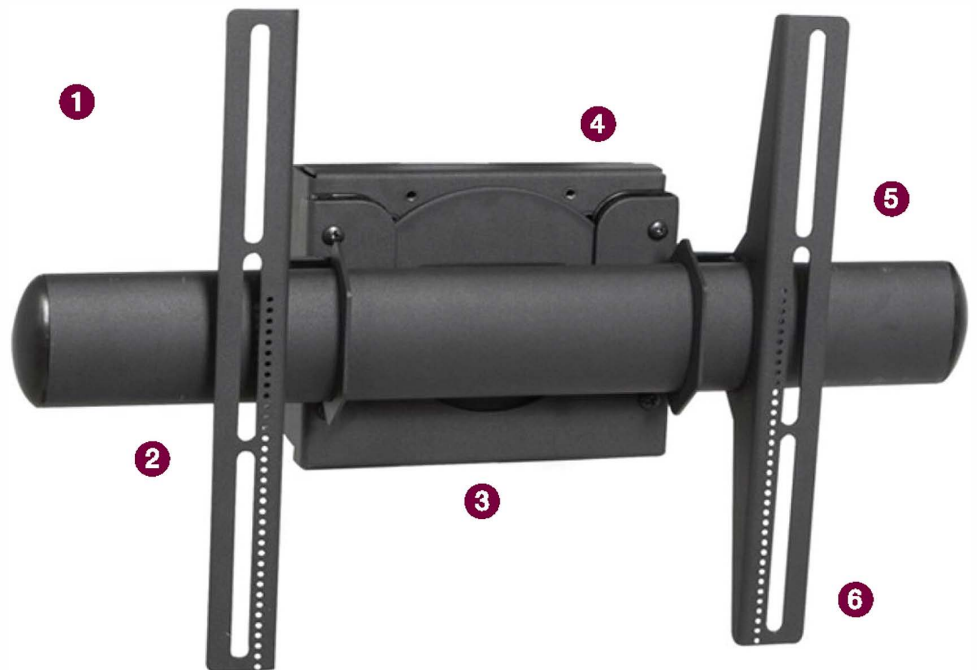
Weight Capacity: 125 lb. | 56.70 kg

Versatile Flat Panel Mount for Carts & Stands

Features

- 1 360° rotation for landscape and portrait orientations
- 2 +35°/-10° of tilt
- 3 Pairs easily with Premier Mounts carts and stands
- 4 Vertical adjustability for perfect viewing height
- 5 Holds up to 125 lbs.
- 6 200 x 200 (Min) to 540 x 360 (Max) mm VESA pattern

The RTM-S is a versatile flat panel mount made for flexibility in viewing angle. What makes this mount so versatile is that it has 360 degrees of rotation with lockable settings for portrait or landscape placement. With the ability to hold up to 125lbs. this mount mates with both mobile and fixed cart and stand configurations. Easily raise or lower the RTM-S along dual poles by loosening two allen screws. The mounting arms on the RTM-S have upward tilt of 35 degrees and downward tilt of 10 degrees making it an ideal option for mounting flat panel displays on cart and stands. With all the mobility offered by the RTM-S it's no wonder it's a top choice product for the rental and staging industry.



Versatile Flat Panel Mount for Carts & Stands

RTM-S

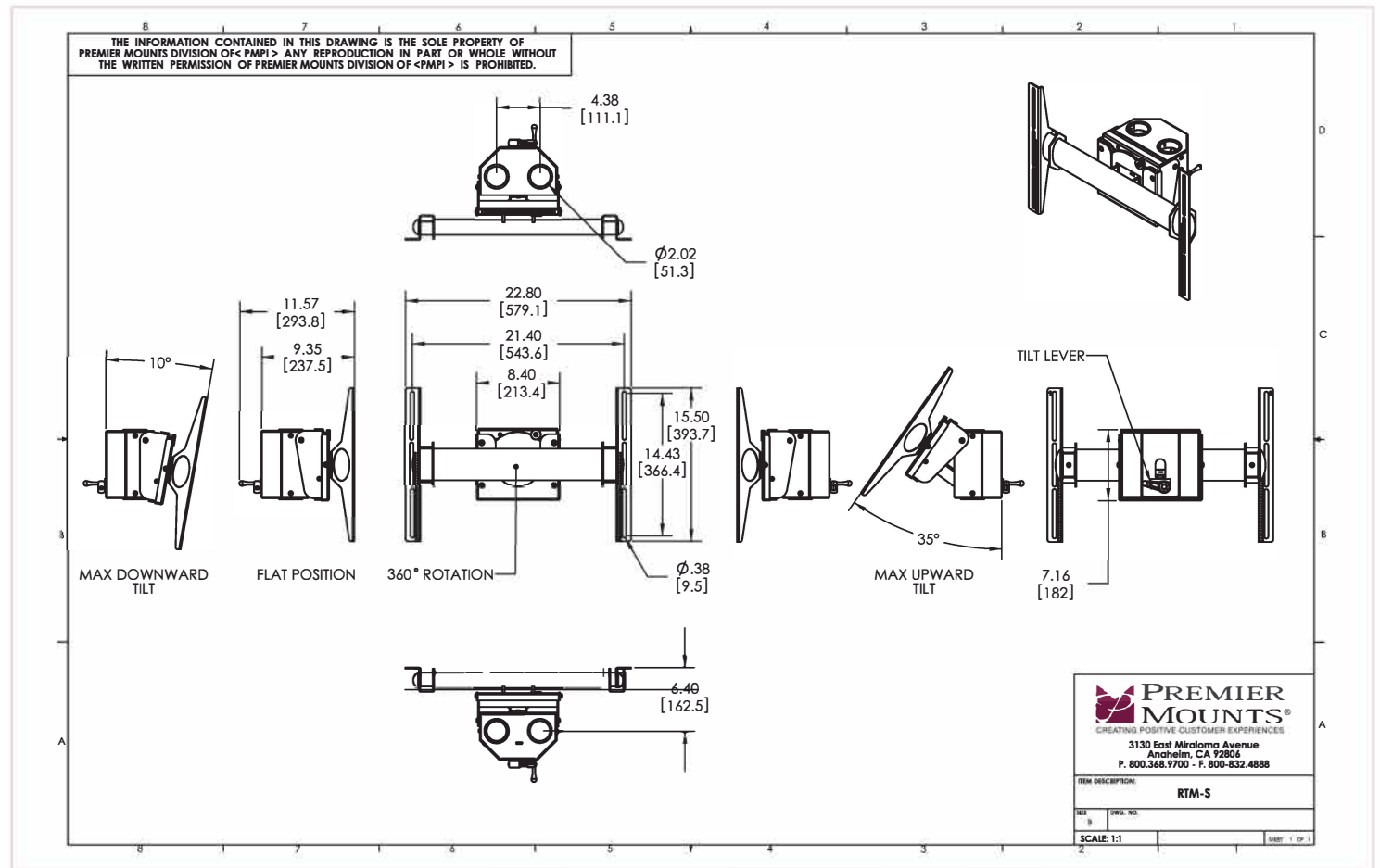
Specifications

Weight 26.4 lb. 11.97 kg	Color Black	Weight Capacity / Mount 125 lb. 56.70 kg	Mounting Pattern 200 x 200 (Min) , 540 x 360 (Max) mm
	Depth 11.57 in. 293.88 mm		Warranty Lifetime

Packaging

Width x Height x Depth 12 in. (wide) x 10 in. (high) x 25.8 in. (deep) 304.8 mm x 254 mm x 655.32 mm	Contents Mount (x1), Universal Hardware Pack (x1), Instruction Manual (x1)
---	--

Architectural Drawing



Specifications subject to change without notice