

**Weight Capacity: 160 lb | 72 kg****Rotating Mount for Flat-Panels****Features**

- 1** Offers full 360° rotation of a flat-panel display
- 2** Can switch display from horizontal to vertical configuration easily
- 3** Has total weight capacity of 160 lbs
- 4** Commonly paired with Premier Mounts carts and stands
- 5** Offers 10° of tilt

Our RTM-L flat panel mount provides users with the ultimate flexibility in digital signage. It has the ability to rotate up to 360° to showcase horizontal and vertical media configurations. The RTM-L can be used with Premier Mounts carts and stands. It also has the ability to be hung from ceilings as well. It can support up to 160 lbs without a problem and offers upward and downward tilt to ensure the best viewing angle is achieved.



# Rotating Mount for Flat-Panels

RTM-L

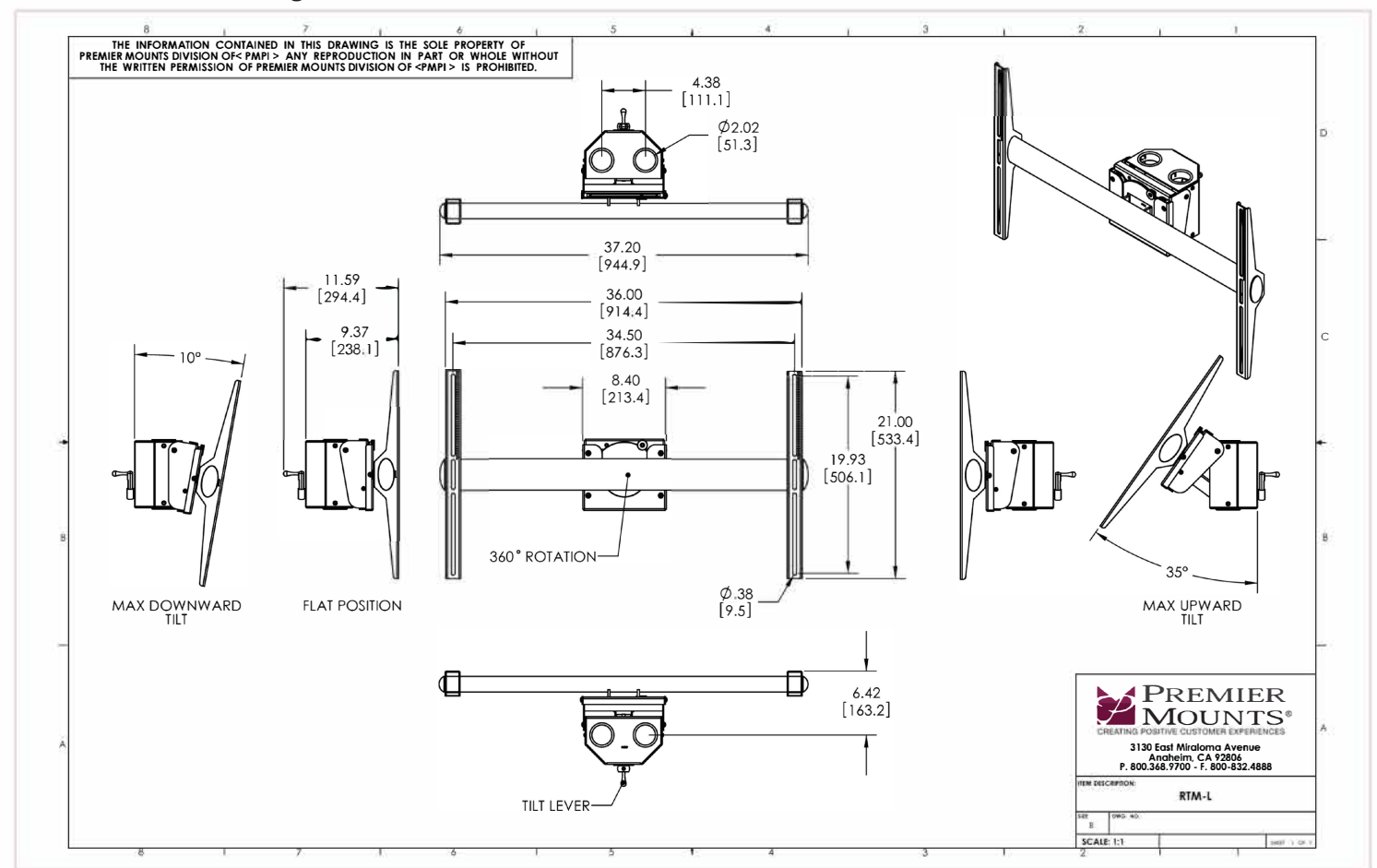
## Specifications

|   |                       |  |   |
|---|-----------------------|--|---|
| <b>Weight</b><br>33.8 lb.   15.33 kg  | <b>Color</b><br>Black | <b>Weight Capacity / Mount</b><br>160 lb.   72.57 kg | <b>Mounting Pattern</b><br>200 x 200 (Min) , 875 x 505 (Max) mm |
| <b>Width x Height x Depth</b><br>37.2 in. x 21 in. x 9.37 in.   944.88 mm x 533.40 mm x 238.00 mm |                       |  | <b>Warranty</b><br>Lifetime                                     |

## Packaging

|  |  |
|--|--|
| <b>Width x Height x Depth</b><br>X x in   X x mm | <b>Contents</b><br>Mount (x1), Universal Hardware Pack (x1), Instruction Manual (x1) |
|--|--|

## Architectural Drawing



Specifications subject to change without notice