

Fixed Low-Profile Flat Panel Mount

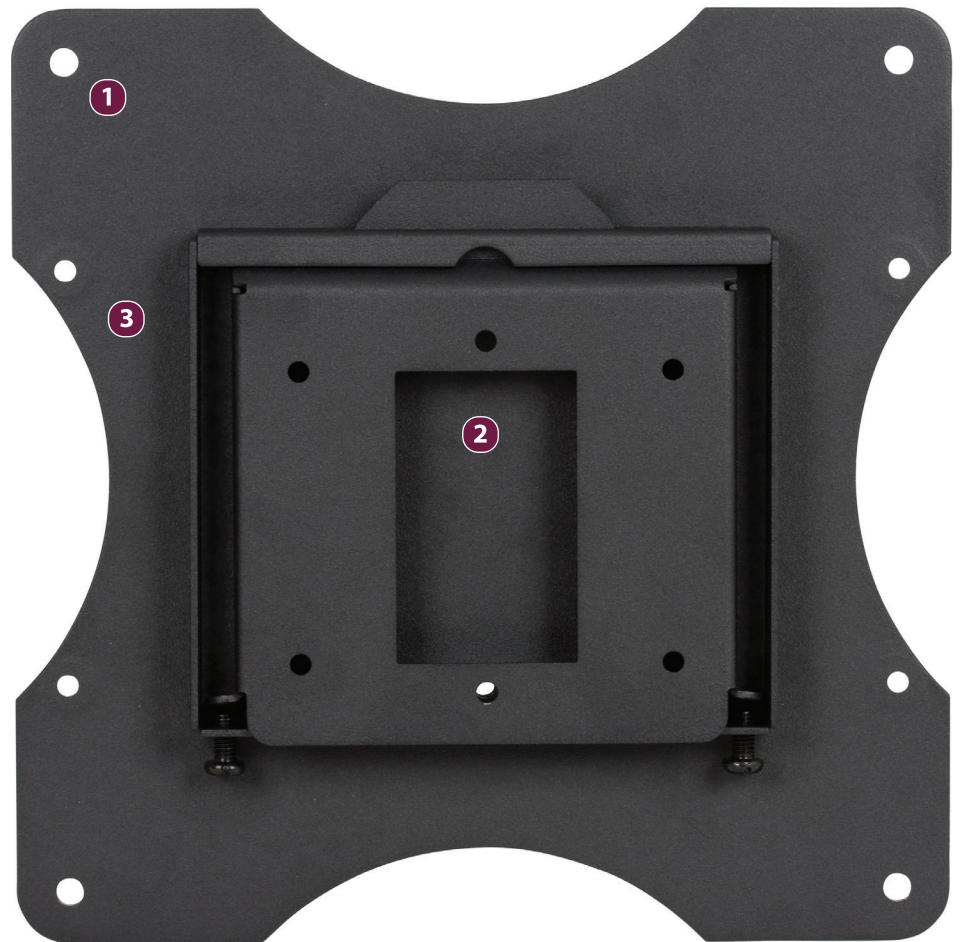
Model: **PRF**

Weight Capacity: 50 lb / 22.7 kg.

Features

- 1** Simple two-piece design for fast assembly
- 2** Cutout on the wall plate allows for power or signal receptacle
- 3** Low-profile design
 - Square footprint is easily hidden behind flat panel
 - Captive screws secure flat panel to wall plate
 - Universal hardware pack includes innovative universal spacers and M4-M10 screws
 - Includes adapter plate to fit mounting patterns up to 200 x 200 mm

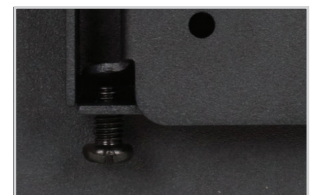
The PRF Fixed Low-Profile Flat Panel Mount offers streamlined presentation by holding displays under 1 in. from the wall. The simple two-piece design allows for rapid assembly, and the integrated cutout on the wall plate allows for power or signal receptacles to be easily routed. The square footprint is easily hidden behind flat panels.



Fits VESA patterns of 75x75, 100x100, 200x100, or 200x200 mm



Cutout on the wall plate allows for power or signal receptacle



Set screws secure flat panel to the wall plate

Fixed Low-Profile Flat-Panel Mount

PRF

Specifications

Weight 4.02 lb. 1.8 kg	Color Black	Weight Capacity / Mount 50 lb. 22.7 kg	Mounting Pattern 75 x 75 mm (Min) - 200 x 200 mm (Max)
Width x Height x Depth 8.88 x 8.88 x .82 in. 225 x 225 x 21 mm		Total Weight Capacity 50 lb. 22.7 kg	Warranty Lifetime

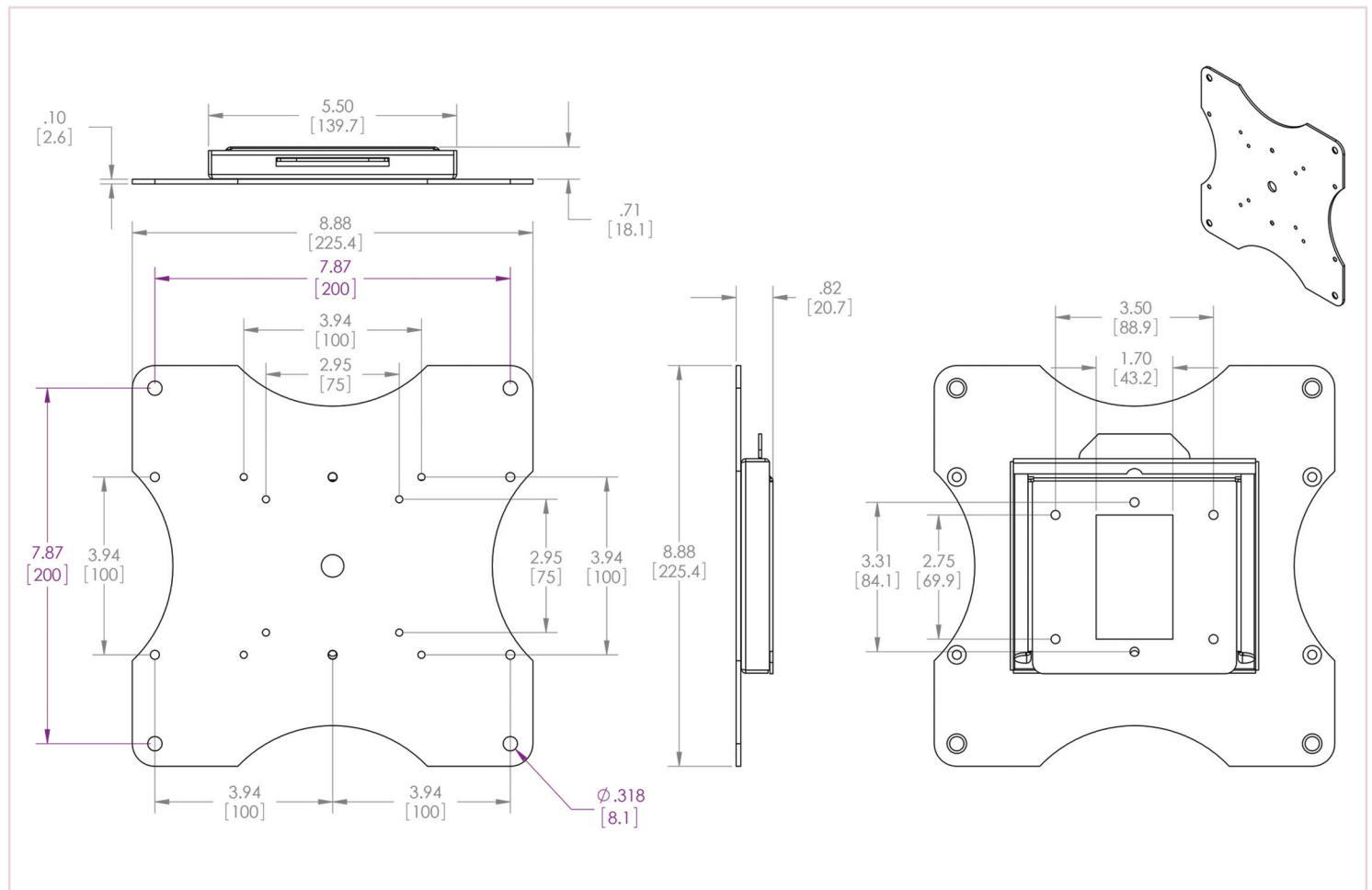
Packaging

Width x Height x Depth 9.25 x 9.06 x 1.38 in. 235 x 230 x 35 mm	Contents Wall Mount (x1), UFP-280 Plate (x1), Universal Hardware Pack (x1)
---	--

Accessories

	<p>18 Inch Right-Angle Power Cord PSD-ACR18</p>
---	--

Architectural Drawing



Specifications subject to change without notice