

P-Series Low-Profile Flat Mount for Flat Panel Displays

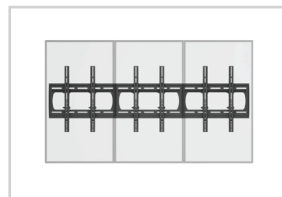
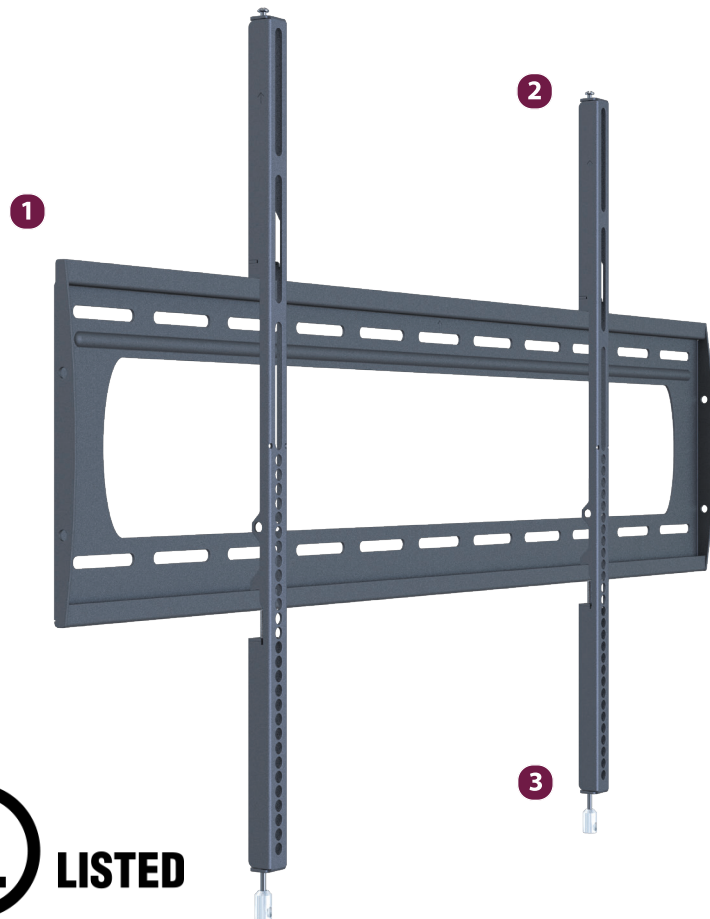
Models: **P2642F, P4263F, P5080F, P4263FP**

Weight Capacity: 130 - 300 lb / 59 - 136 kg.

Features

- 1** Holds flat panel displays less than 1 inch from the wall
 - 2** Post-installation leveling system
 - 3** Lock-It™ security barrel included
- Built-in lateral shift
 - Open design for easy cable and electrical access
 - Mounting kit includes wood, concrete and steel stud attachment hardware
 - P5080F model is built of heavy-duty material to withstand the weight of larger displays

The P-Series Low-Profile Flat Mounts are for flat panels weighing 130-300 lb. They feature post-installation leveling, lateral alignment, locking security sections and an open mounting frame for easy access to power sources and cables. Products in the P-Series Flat Mount line include the P2642F, P4263F, P5080F and P4263FP* mounts.



P4263FP available in portrait mode for digital menu board applications



Accessories available for shelving and in-wall storage options



Lock-It™ Security barrels to deter removal of flat panel displays

P-Series Flat Mount

P2642F, P4263F, P5080F, P4263FP

Specifications



Weight	Color	Weight Capacity / Mount	Mounting Pattern
P2642F 9.58 lb. 4.4 kg	Black	130 lb. 59.1 kg	200 x 200 mm (Min) x 535 x 400 mm (Max)
P4263F 12.02 lb. 5.5 kg	Black	175 lb. 79.5 kg	200 x 200 mm (Min) x 815 x 525 mm (Max)
P5080F 18.4 lb. 8.4 kg	Black	300 lb. 136.4 kg	200 x 200 mm (Min) x 1110 x 705 mm (Max)
P4263FP 12.32 lb. 5.6 kg	Black	175 lb. 79.5 kg	200 x 200 mm (Min) x 535 x 705 mm (Max)

Width x Height x Depth	Total Weight Capacity	Warranty
P2642F 22.41 x 16.5 x 0.96 in. 569 x 419 x 24 mm	130 lb. 59.1 kg	Lifetime
P4263F 33.25 x 21.38 x 0.95 in. 845 x 543 x 24 mm	175 lb. 79.5 kg	Lifetime
P5080F 45.21 x 30.67 x 0.96 in. 1148 x 779 x 24 mm	300 lb. 136.4 kg	Lifetime
P4263FP 22.41 x 30.67 x 0.96 in. 569 x 779 x 24 mm	175 lb. 79.5 kg	Lifetime

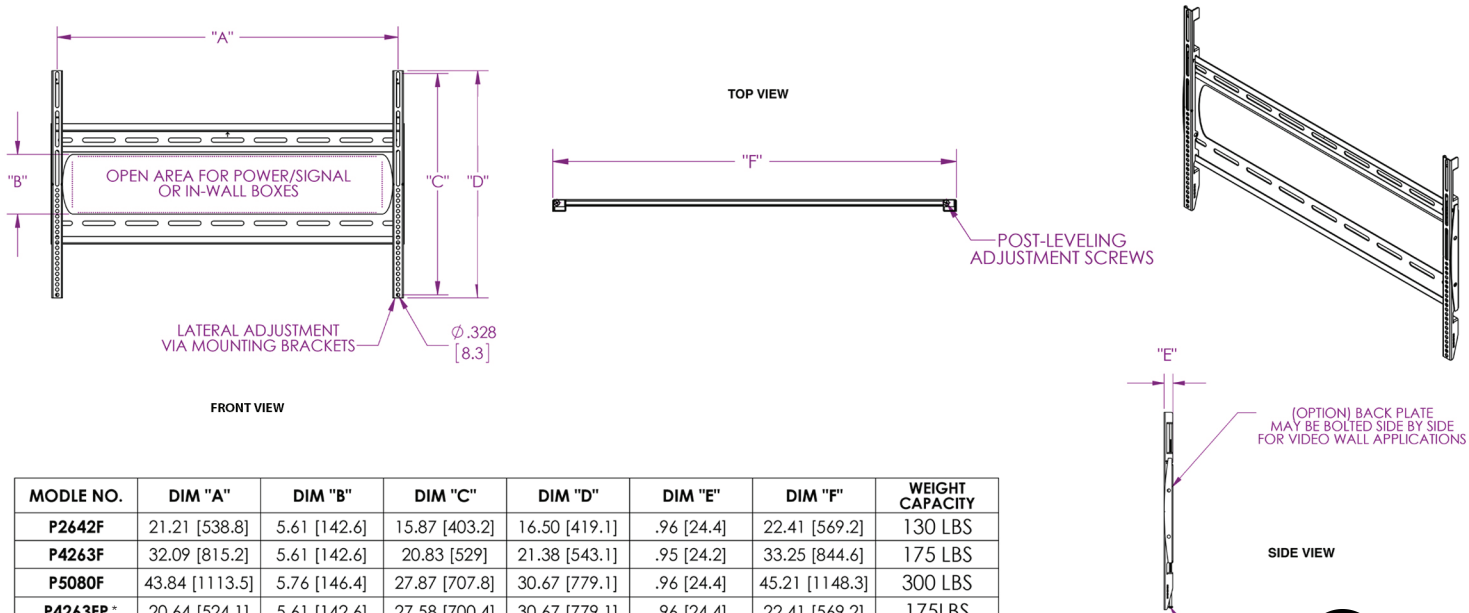
Packaging

Width x Height x Depth	Contents
11.75 x 2.25 x 23.5 in. 298 x 57 x 597 mm	Back Plate (x1), Adapter Arms (x2), PM Series Hardware Pack (x1)
11.75 x 2.25 x 34.25 in. 298 x 57 x 870 mm	Back Plate (x1), Adapter Arms (x2), PM Series Hardware Pack (x1)
12 x 2.25 x 46.5 in. 305 x 57 x 1181 mm	Back Plate (x1), Adapter Arms (x2), PM Series Hardware Pack (x1)
14.5 x 1.75 x 30.75 in. 368 x 44 x 781 mm	Back Plate (x1), Adapter Arms (x2), PM Series Hardware Pack (x1)

Accessories


 <p>In-wall A/V and Power GearBox™ GB-INWAVPB</p>	 <p>A/V Shelving System for P-Series Mounts SHLF-VE</p>	 <p>Video Conference Shelf for P-Series SHLF-VC</p>
--	--	--

Architectural Drawing



MODEL NO.	DIM "A"	DIM "B"	DIM "C"	DIM "D"	DIM "E"	DIM "F"	WEIGHT CAPACITY
P2642F	21.21 [538.8]	5.61 [142.6]	15.87 [403.2]	16.50 [419.1]	.96 [24.4]	22.41 [569.2]	130 LBS
P4263F	32.09 [815.2]	5.61 [142.6]	20.83 [529]	21.38 [543.1]	.95 [24.2]	33.25 [844.6]	175 LBS
P5080F	43.84 [1113.5]	5.76 [146.4]	27.87 [707.8]	30.67 [779.1]	.96 [24.4]	45.21 [1148.3]	300 LBS
P4263FP*	20.64 [524.1]	5.61 [142.6]	27.58 [700.4]	30.67 [779.1]	.96 [24.4]	22.41 [569.2]	175LBS

DIMENSION ARE IN INCH AND [MM]



Specifications subject to change without notice
* P4263FP is currently not UL listed.