



55"*

*Actual product appearance may differ from the above simulated scene.

UL Listed Hospital Smart TV

LT662M Series

Commercial Lite	Pro:Centric	Pro:Centric Enhanced	Pro:Centric Smart
-----------------	-------------	----------------------	--------------------------

The LT662M Hospital Smart TV Series provides advanced Pro:Centric technology designed to meet the needs of patients and staff. A cost-effective solution for healthcare facilities, this Full HD TV includes Pillow Speaker support and Hospital UL Certification to enhance patient-centered care.

UL Listed Hospital Smart TV

LT662M SERIES

FEATURES FOR THE HOSPITAL ENVIRONMENT

Pillow Speaker Ready

Audio and video can be controlled directly by a Pillow Speaker for patient convenience.*

* Requires third-party pillow speaker.

Nurse Call System Ready

Existing hospital nurse call systems can be accessed via this TV's Pillow Speaker. This allows hospital staff to quickly and easily be called when needed.

UL Hospital Grade Listed

The LT662M Series is UL listed for use in healthcare and hospital environments.



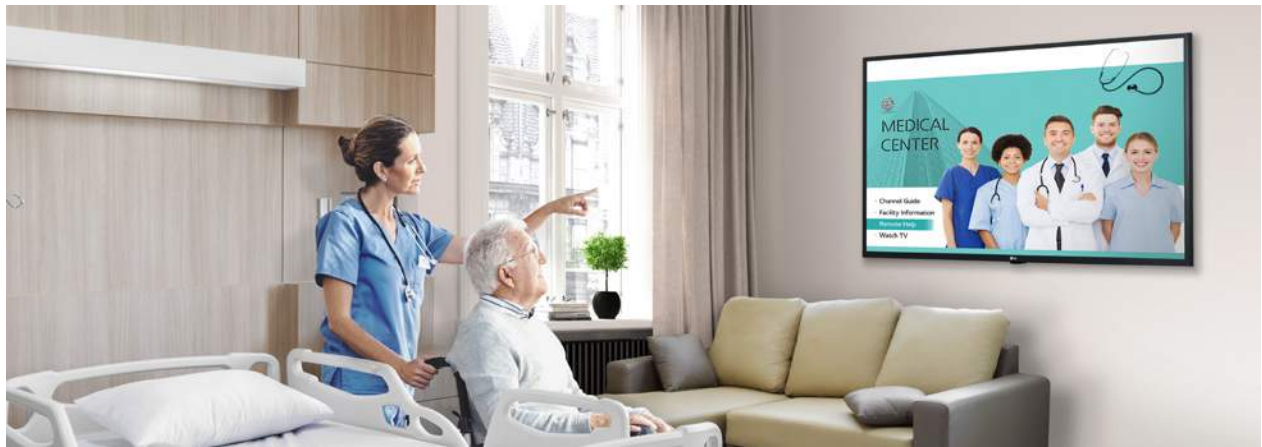
UL Listed Hospital Smart TV

LT662M SERIES

FEATURE HIGHLIGHTS

Pro:Centric Application Platform

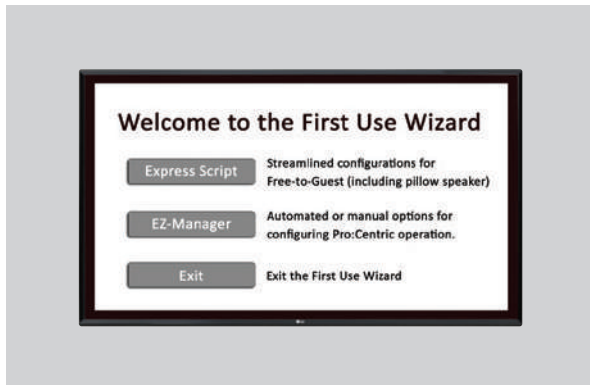
An industry-leading television that supports the Pro:Centric platform, LG's new LT662M Series allows healthcare facilities to customize the patient room experience. The Pro:Centric application enables the LT662M to provide an interactive program guide and display facility information, such as dietary menus and patient room information.*



* May require additional software and hardware to support third-party partner interactive systems or LG's Free-to-Guest Mode / Pro:Centric application

First Use Wizard

The First Use Wizard offers quick configuration options including Express Script, which allows you to easily enable and configure Hospital Mode features.



Above screen image is simulated.

Pro:Idiom

Digital Rights Management (DRM) technology unlocks access to premium content to help assure rapid and broad deployment of HDTV and other high-value digital content.



UL Listed Hospital Smart TV

LT662M SERIES

FEATURE HIGHLIGHTS

SoftAP

Software-enabled Access Point (SoftAP) is a "virtual" Wi-Fi that uses software to create a wireless hotspot. The current version supports Bridge Mode, which enables network managers to control connected devices.



* SoftAP should be set in installation menu after TV is on.
* Smart Mirroring may not operate at the same time.

Instant On

When the TV is turned off, the Instant On feature allows the Pro:Centric app to remain loaded giving guests quick access to content when they turn on the TV.



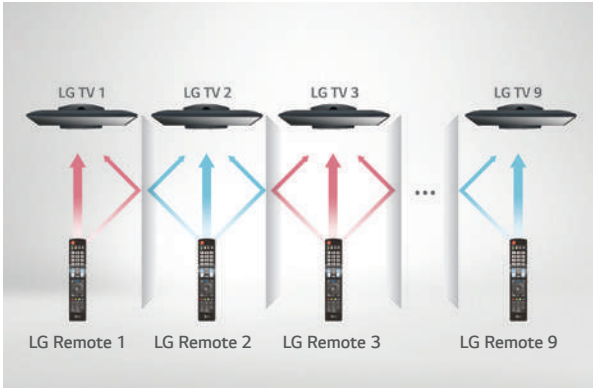
USB Cloning

USB data cloning makes managing multiple displays more efficient for optimal operation. Instead of setting up each display one by one, data can be copied to a USB for one display, and be sent to the other displays through a USB plug-in.



Multi-code IR

Multi-code IR* function eliminates any remote control signal interference between TVs in rooms with multiple TVs installed.

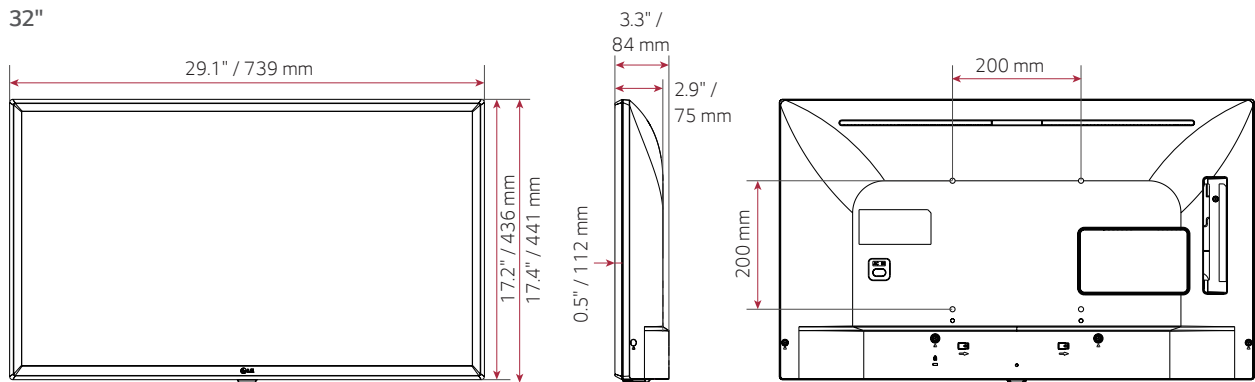


* Requires optional multi-code IR remote.

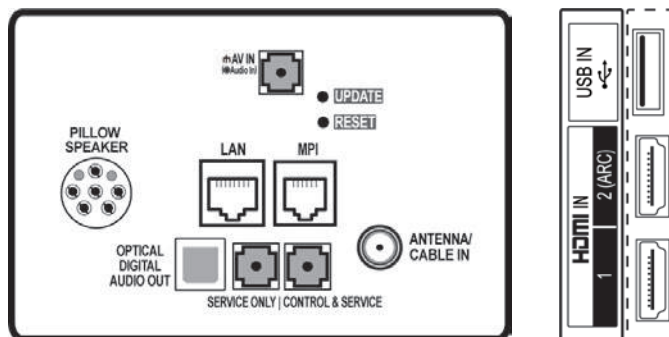
UL Listed Hospital Smart TV

LT662M SERIES

DIMENSIONS



CONNECTIVITY



UL Listed Hospital Smart TV

LT662M SERIES

SPECIFICATIONS

		32LT662MBUC
DISPLAY	Diagonal Size	32"
	Resolution	1366 x 768 (HD)
	Backlight Unit Type	Direct
	Brightness	240 nits
	Dynamic Contrast Ratio (Dynamic MCI (Hz))	1,000,000:1
	Static (Panel) Contrast Ratio	1200:1
	Refresh Rate	60 Hz
	Response Time (G to G)	8 ms
	Life Span	30,000 hours
VIDEO	HDR HLG	Yes
	UHD Contents Streaming Support	USB / IP / RF
BROADCASTING	Digital	ATSC / Clear QAM / VSB
	Analog	NTSC
AUDIO	Speaker (Sound Output)	5 W + 5 W
	Speaker System	2.0 ch
	Deep Learning AI Sound	Yes
	One Touch Sound Tuning	Yes
	LG Sound Sync	Yes
HOSPITALITY	Pro:Centric Data Streaming (IP & RF)	Yes
	Pro:Centric IP Return Path	Yes
	Pro:Centric webRTC (Real Time Communication)	Yes
	Pro:Centric Direct (HTML)	Yes
	Pro:Centric Application (Java)	Yes
	Pro:Idiom Software DRM	Yes
SMART FEATURES	Smart Launcher	Yes
	Web Browser	Yes
	Pre-loaded Apps	Yes
	Magic Motion Remote (MMR) Compatible	Yes
	SoftAP	Yes
	Wi-Fi	Yes
	Screen Share (Miracast / WiDi)	Yes
	Smart Share (DLNA)	Yes
	DIAL	Yes
	Beacon	Yes
Bluetooth Audio Playback	Yes	
OTHER FEATURES	First Use Wizard	Yes
	USB Data Cloning	Yes
	WOL	Yes
	SNMP	Yes
	SI Compatibility	MPI, RS-232C
	Simplink (HDMI-CEC) plus CEC-HTNG	Yes (1.4)
	IR Out	Yes (MPI, RS-232C)
	Multi-code IR	Yes
	Installer Menu	Yes
	Welcome Screen (Boot Logo)	Yes
	Instant On	Yes
	VLAN	Yes
	RJP (Remote Jack Pack) Compatibility	HDMI (CEC)
	USB Auto Playback	Yes
	Auto Off / Sleep Timer	Yes / Yes
	Smart Energy Saving	Yes
Motion Eye Care	Yes	
UL Hospital Grade Listed	Yes	
Pillow Speaker Interface	Yes	

Design and specifications subject to change without notice. Please contact your LG sales team to verify before ordering.







UL Listed Hospital Smart TV

LT662M SERIES

SPECIFICATIONS

		32LT662MBUC
INTERFACES	HDMI In	2 (2.0)
	USB	1 (2.0)
	RF In	Yes
	AV In	3.5 mm (L, R, V, GND)
	Optical Digital Audio Out	Yes
	RS-232C In (Control & Service)	3.5 mm (TXD, RXD, IR Out, GND)
	LAN (RJ45)	Yes (Ethernet)
	Speaker Out / Line Out	3.5 mm Stereo Jack
	MPI Port (RJ12)	Yes
	Service Only	3.5 mm Stereo Jack
	Pillow Speaker (6 pin DIN)	Yes
MECHANICALS	Front Color	Ceramic Black
	VESA Compatible (W x H)	200 x 200
	Kensington Lock	Yes
	Weight	10.7 lbs / 4.9 kg
	Shipping Weight	13.3 lbs / 6.1 kg
	Dimensions without Stand (W x H x D) (Depth: Front to VESA)	29.1" x 17.4" x 2.9" / 739 x 441 x 75 mm
	Dimensions without Stand (W x H x D) (Depth: Front to Lower Back)	29.1" x 17.4" x 3.3" / 739 x 441 x 84 mm
	Shipping Dimensions (W x H x D)	32.0" x 20.1" x 5.6" / 812 x 510 x 142 mm
Bezel Width (L / R / T / B)	18.8 / 18.8 / 18.8 / 21.6 mm	
POWER	Power Supply	AC 120 V - 50 / 60 Hz
	Max Power Consumption	58 W
	Typical Power Consumption	26 W
	Standby Power Consumption	Less than 0.5 W
WARRANTY AND OTHER	Standards	UL
	EMC Certification	FCC
	Accessories	Adaptor Cable, Power Cord
	Chromecast Anti-theft Cover	Yes (Optional)
	Power Cord	1.8 m, Right Angle
	Warranty	Two-Year Limited Warranty
	UPC	7 19192 63435 0

Design and specifications subject to change without notice. Please contact your LG sales team to verify before ordering.

-  www.lg.com/us/business/commercial-display
-  www.twitter.com/LGCommDisplays
-  www.facebook.com/LGcommercialdisplays
-  www.linkedin.com/company/lg-commercial-displays-usa
-  www.youtube.com/lgcommercialdisplayusa
-  800-228-1236 | Hospitality Sales

LG may make changes to specifications and product descriptions without notice.
© Copyright 2019 LG Electronics USA, Inc., 2000 Millbrook Dr., Lincolnshire, IL 60069, USA . All rights reserved. LG and the LG logo are registered trademarks of LG Corp. All other trademarks are the property of their respective owners. Prices and products may vary by dealer. Prices, designs, features and specifications are subject to change without notice. All screen images are simulated. Pro:Centric and the "Pro:Centric" logo are registered trademarks of LG Electronics Inc. Pro:Idiom is a registered trademark of Zenith Electronics LLC.
SPEC_LT662M_1119SD_LR