
OLED Hotel TV with Premier IP & RF Solution

EU960H

The world's best-selling OLED brand, LG OLED TV, embraces cutting edge Hospitality management technology - LG Pro:Centric SMART. It delivers greater usability and convenience for seamless exploration of TV content, and also provides great solutions for hotel management.

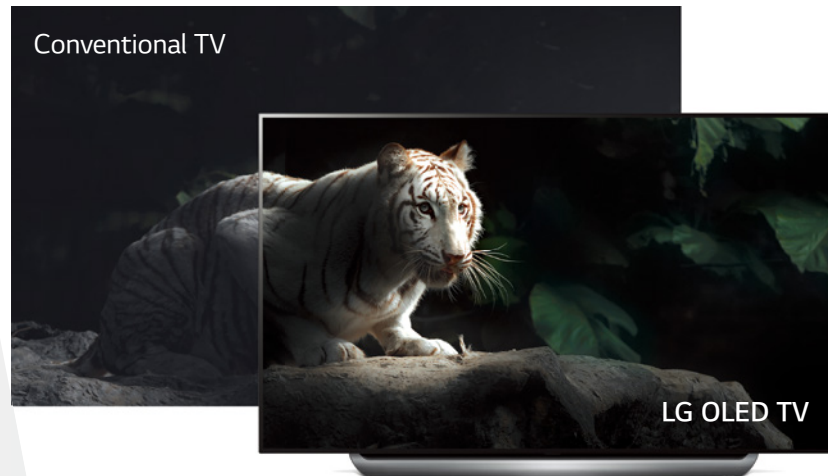


OLED Hotel TV with Premier IP&RF Solution EU960H

World's Number 1 OLED

Perfect Black. Intense Color

LG OLED TV provides richness in all colors, boasts aesthetic touch of nature, and reveals life. Equipped with over 8 million of self-lightning pixels operating individually, the product completes the Perfect Black.



4K Cinema HDR

LG 4K Cinema HDR offers the filmmaker's vision through usage of HDR formats. Now, a unique cinematic experience is available at hotel room with Dolby Vision™ and advanced HDR.



OLED Hotel TV with Premier IP&RF Solution EU960H

World's Number 1 OLED

Cinematic Sound for Your Home

Dolby Atmos® creates a dynamic and surround sound experiences although even when space is limited, facilitating the discernment of every details of the movement in a scene. With Dolby Vision™, the product provides a truly unique cinematic experience.



Picture-on-Glass, the Artistic Esthetics

Furnished with sleek design, the product takes its artistic aspect to the next level. As the need for distinct elements like bezel or a thick stand has been eliminated, the refined but aesthetically stifled design intensifies the viewing experience.



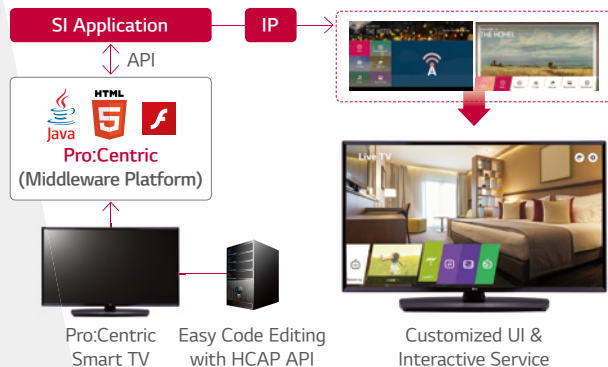
OLED Hotel TV with Premier IP&RF Solution

EU960H

Pro:Centric Smart Application Platform

Pro:Centric Hotel Management Solution

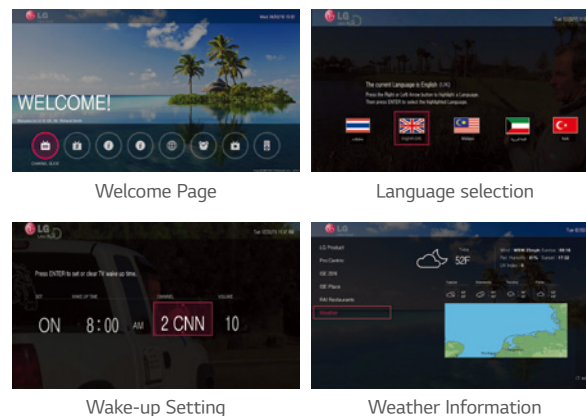
Pro:Centric SMART is optimized for customizing hospitality services for hotel brands and guests through an IP & RF infrastructure. With its high picture quality, sophisticated design and advanced connectivity functions, it upscales in-room entertainment and increases convenience through implementation of high-end technology.



* Customized UI may be little different.

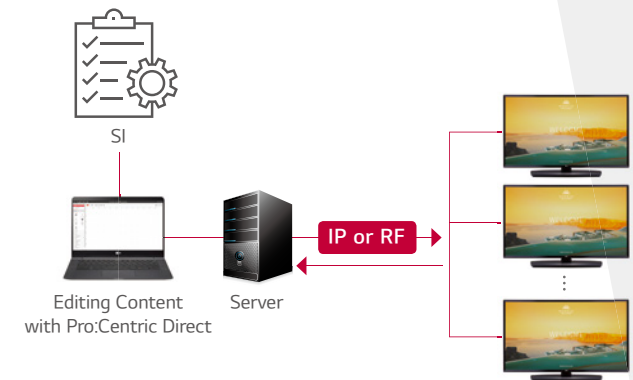
Pro:Centric Server Application

You can now differentiate your hotel with our customizable templates and pages which can be specialized for your property. Pro:Centric provides you a solution that is easily customizable for your business.



Pro:Centric Direct Solution

Pro:Centric Direct is a hotel content management system that supports simple editing tools and provides various solutions such as 1-click service and IP-network-based remote management. With the solution, users enable to design UI easily and provide customized service while managing TV efficiently.

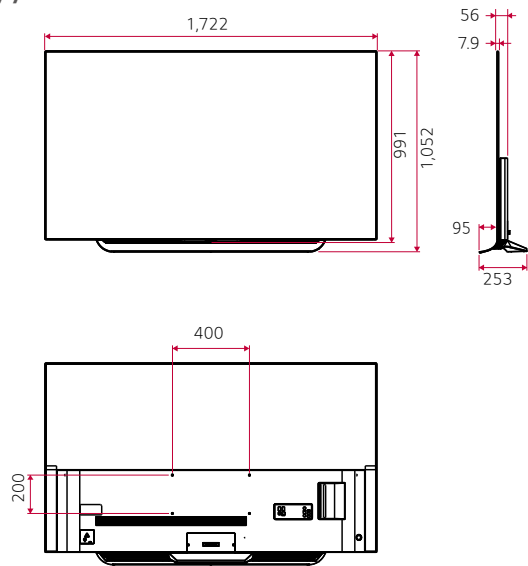


* Actual UI may be little different.

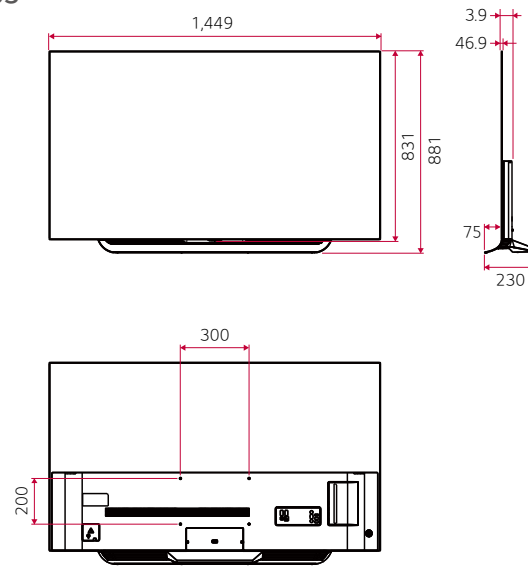
* When PCS400R and PCD 2.0 are used, it is able to have PCD feature even in RF infrastructure. However, to have interactive services in RF infrastructure, Wi-Fi is required (RF+Wireless Infrastructure is needed).

Dimension

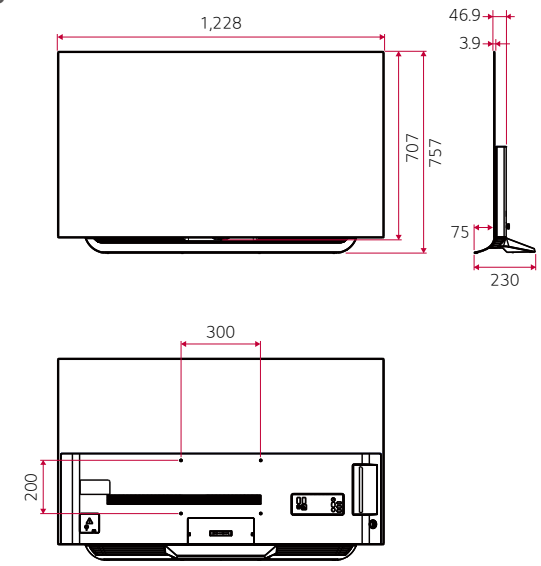
77"



65"

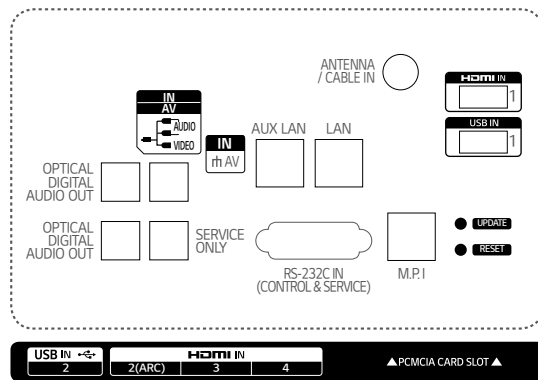


55"

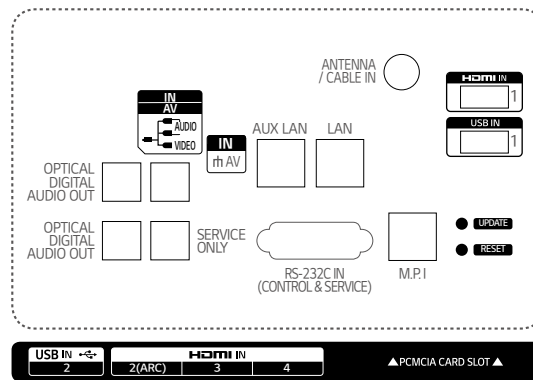


Connectivity

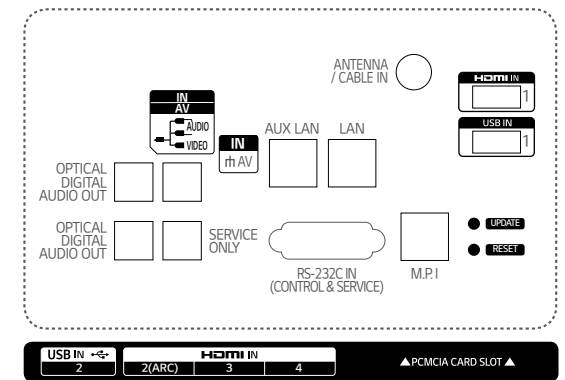
77"



65"



55"



* Dimensions & Jack Panels (Read/Side) may differ from the above image, so please reach LG salesteam to ensure before order.

Specifications

	77EU960H	65EU960H	55EU960H	
PANEL	Screen Size	77"	65"	55"
	Backlight Type	OLED	OLED	OLED
	Resolution	3,840 x 2,160 (4K UHD)	3,840 x 2,160 (4K UHD)	3,840 x 2,160 (4K UHD)
	Brightness (cd/m ²)	500	500	500
	Dynamic Contrast Ratio (Dynamic MCI (Hz))	Infinite	Infinite	Infinite
	Static (Panel) Contrast Ratio	150,000	150,000	150,000
	Viewing Angle Degree	120	120	120
Response Time (G to G, ms)	3	3	3	
BROADCASTING SYSTEM	Analog	• (NTSC)	• (NTSC)	• (NTSC)
	Digital	• (ATSC)	• (ATSC)	• (ATSC)
VIDEO	XD Engine	•	•	•
	Aspect Ratio	5 Modes (16:9 / Original / 4:3 / Vertical Zoom / All-Direction Zoom)		
	HDR 10 / HDR Dolby Vision	• / •	• / •	• / •
AUDIO	Audio Output	10W + 10W	10W + 10W	10W + 10W
	Speaker System	2.0 ch	2.0 ch	2.0 ch
	Sound Mode	6 Modes (Standard / Cinema / Clear Voice III / Sports / Music / Game)		
	Clear Voice	• (Clear Voice III)	• (Clear Voice III)	• (Clear Voice III)
	Dolby Vision Atmos	•	•	•
	Adaptive Sound Control	•	•	•
One Touch Sound Tuning	•	•	•	
HOSPITALITY SOLUTIONH	Pro:Centric Smart	Pro:Centric (Smart, V, Direct)	Pro:Centric (Smart, V, Direct)	Pro:Centric (Smart, V, Direct)
	Data Streaming (IP & RF)	•	•	•
	RF (1/2 Tuner)	• (1 Tuner)	• (1 Tuner)	• (1 Tuner)
	HCAP (GEM/FLASH/HTML) ※ Service Carousel (TLL/XML)	GEM / Flash / HTML5	GEM / Flash / HTML5	GEM / Flash / HTML5
	Pro:Centric Application (version)	PCA3.7.5 ¹⁾	PCA3.7.5 ¹⁾	PCA3.7.5 ¹⁾
DRM	Pro:Idiom (S/W Type)	Pro:Idiom (S/W Type)	Pro:Idiom (S/W Type)	
SMART FEATURE	WebOS 4.0, Commercial Smart Home, Gallery Mode, DeepThinQ (LG NLP), Web Browser, Pre-loaded App, SDP Server Compatibility, Magic Remote Compatibility, Soft AP, Wi-Fi (Built-in Type), Screen Share (Miracast), Smart Share (DLNA), Bluetooth Audio Playback, LG Sound Sync/bluetooth, Mobile Connection Overlay, Music Player			
FUNCTION	EzManager (Simplicity), USB Cloning, Wake on RF, WOL, SNMP, Diagnostics, SI Compatible, HTNG-CEC (1.4), HDMI-CEC (1.4), IR Out (MPI Jack/RS232C), Multi IR Code, Auto Off / Sleep Timer, Smart Energy Saving, Motion Eye Care			
HOSPITALITY FEATURES	Hotel Mode / PDM / Installer Menu, Welcome Screen, Insert Image, One Channel Map, External Speaker Out, Instant ON, V-Lan Tag, RJP interface, RJP Compatibility, Clock (World Clock / Alarm), 360 Viewer			
JACK INTERFACE	Set Side	HDMI In 2.0 (3), USB 2.0	HDMI In 2.0 (3), USB 2.0	HDMI In 2.0 (3), USB 2.0
	Set Rear	RF In, AV In, Digital Audio Out (Optical), USB 2.0, RS-232C (Control), RJ45 (2), External Speaker Out, MPI Port, Debug (Phone Jack Type)		
DIMENSION (UNIT : mm)	VESA Compatible	400 x 200 mm	300 x 200 mm	300 x 200 mm
	W x H x D / Weight (with stand)	1,722 x 1,052 x 253 mm / 36.5kg	1,449 x 881 x 230 mm / 25.4kg	1,228 x 757 x 230 mm / 19.1kg
	W x H x D / Weight (without stand)	1,722 x 991 x 56 mm / 29.9kg	1,449 x 831 x 46.9 mm / 21kg	1,228 x 707 x 46.9 mm / 16.3kg
	W x H x D / Weight (Packing)	1,895 x 1,130 x 285 mm / 49.5kg	1,600 x 970 x 207 mm / 33kg	1,345 x 810 x 207 mm / 24.4kg
POWER (UNIT : WATTS)	Voltage, Hz	100 - 240V, 50/60Hz	100 - 240V, 50/60Hz	100 - 240V, 50/60Hz
	Max	714 W	430 W	389 W
	Typical	665 W	384 W	336 W
	Energy saving (Min/Med/Max)	-	-	-
	Stand-by	TBD	TBD	TBD

1) The SW version will be updated to PCA 3.8 soon, reach your regional sales to know the schedule.

* Specifications are subject to change without notice, so please reach LG salesteam to ensure before order.



Download
LG C-Display+
Mobile App

Google Play Store

- www.lg.com/b2b
- www.youtube.com/c/LGCommercialDisplay
- www.facebook.com/LGInformationDisplay
- www.linkedin.com/company/LGInformationDisplay

LG may make changes to specifications and product descriptions without notice.
Copyright © 2018 LG Electronics Inc. All rights reserved. "LG Life's Good" is a registered trademark of LG Corp.
The names of products and brands mentioned here may be the trademarks of their respective owners.