



FLOOR & ON-WALL MOUNTED
KIOSK SOLUTIONS

MAKE AN IMPACT

IMPACT™ SERIES



KnitE

(866) 469-7111 toll free

sales@knitec.com

www.knitec.com

legrand® | AV

legrandav.com



IMPACT™ SERIES

Chief is answering your need to house digital content for wayfinding, advertising and self-service applications. Our kiosk designs are easily serviceable, flexible and attractive. Impact™ Floor Mounted and On-Wall Kiosks are available now.

Impact™ Kiosks enhance interactive installations like:

- Ordering stations within quick-service restaurants
- Digital signage options replacing traditional static wayfinding and advertising
- E-commerce in brick and mortar stores, allowing customers to browse and order products not found on-shelf
- Municipal and government applications for advertising, wayfinding, surveillance, charging and security

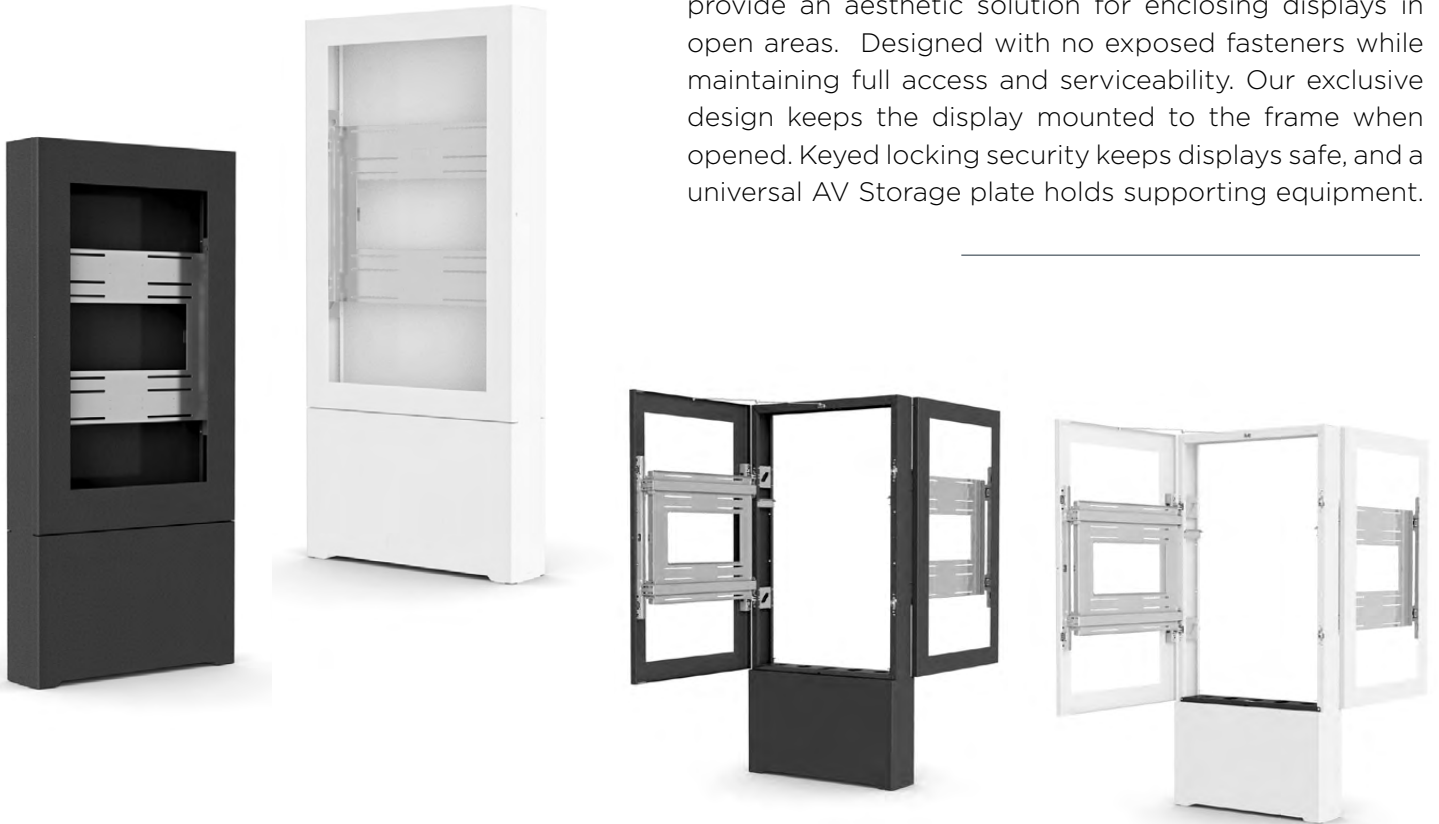


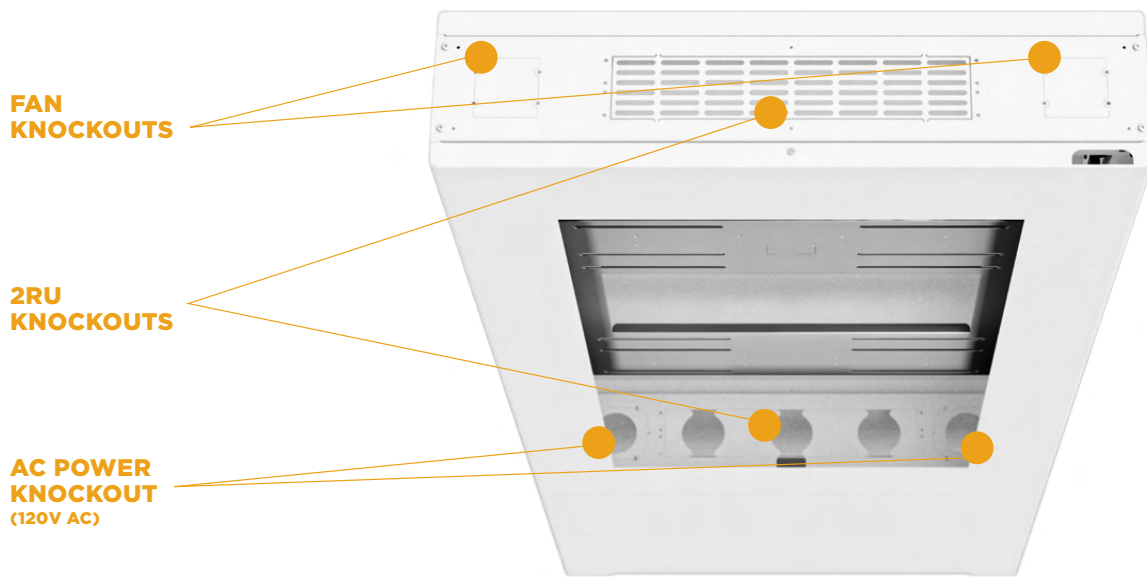


IMPACT™ SERIES

Floor Mounted Kiosks

The NEW Chief Impact™ Floor Mounted Portrait Kiosks provide an aesthetic solution for enclosing displays in open areas. Designed with no exposed fasteners while maintaining full access and serviceability. Our exclusive design keeps the display mounted to the frame when opened. Keyed locking security keeps displays safe, and a universal AV Storage plate holds supporting equipment.





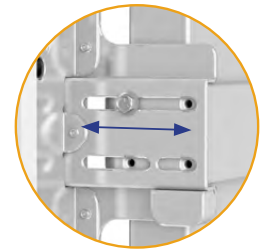
SERVICABILITY



KEYED LOCKING



CABLE PATHWAYS



UNIVERSAL DESIGN

- Unparalleled front service and maintenance access
- Aesthetically pleasing with no exposed fasteners
- Keyed locking security
- Tool free removable storage panels
- Universal AV storage space
- Internal knockouts for electrical junction boxes and 2RU rack spaces
- External cable pathway knockouts
- Integrated passive cooling
- Available in black and white
- UL Listed
- Custom colors, logos and protective glass can be special ordered



IMPACT™ SERIES Floor Mounted Kiosks

Freestanding Base Options

Freestanding base accessories preserve floor finishes, and accommodate movement of kiosks in temporary installations. Bases are offered in single-sided and back-to-back configurations. Tested and approved to UL 2442 ensuring safety for interactive use and servicing - see Accessories page for more details.



IMPACT™ SERIES

Floor Mounted Kiosks

DIMENSIONS & COMPATIBILITY

Single Sided

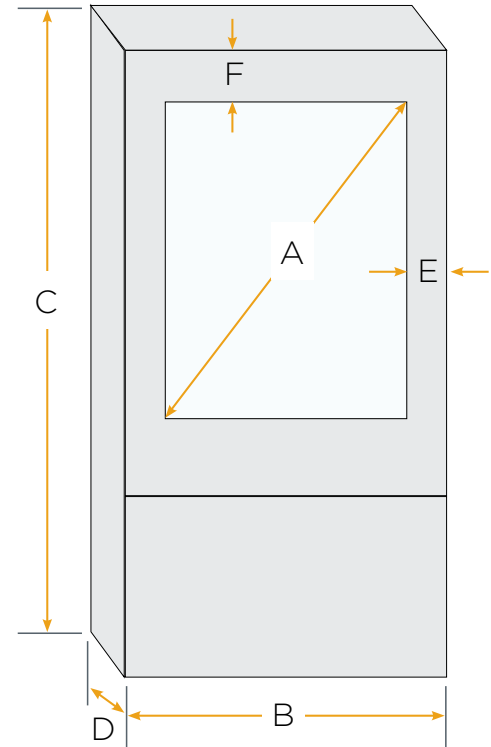
Model	Color	Weight Capacity	Mounting Patterns	Max Display Depth	Max TV Width	Max TV Height	Image Diagonal (A)					
LF40UBP	Black	100 lbs. (45.3 kg)	200 x 200 mm 300 x 300 mm 400 x 400 mm	3.5" (88.9mm)	43" (1092.2 mm)	26" (660.4 mm)	40"					
LF40UWP	White						42"					
LF42UBP	Black						43"					
LF42UWP	White						46"					
LF43UBP	Black						47"					
LF43UWP	White						48"					
LF46UBP	Black						125 lbs. (56.7 kg)	300 x 300 mm 400 x 400 mm 600 x 400mm	3.5" (88.9mm)	51" (1295.4 mm)	30" (762.0 mm)	49"
LF46UWP	White											50"
LF47UBP	Black											55"
LF47UWP	White											
LF48UBP	Black											
LF48UWP	White											
LF49UBP	Black											
LF49UWP	White											
LF50UBP	Black											
LF50UWP	White											
LF55UBP	Black											
LF55UWP	White											

Back To Back

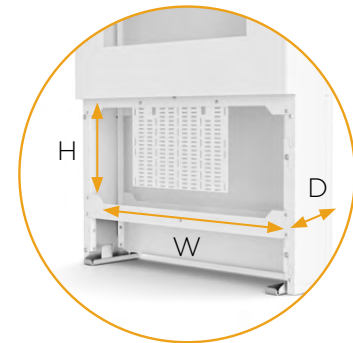
Model	Color	Weight Capacity	Mounting Patterns	Max Display Depth	Max TV Width	Max TV Height	Image Diagonal (A)					
LF40UBP-B2B	Black	100 lbs. (45.3 kg)	200 x 200 mm 300 x 300 mm 400 x 400 mm	3.5" (88.9mm)	43" (1092.2 mm)	26" (660.4 mm)	40"					
LF40UWP-B2B	White						42"					
LF42UBP-B2B	Black						43"					
LF42UWP-B2B	White						46"					
LF43UBP-B2B	Black						47"					
LF43UWP-B2B	White						48"					
LF46UBP-B2B	Black						125 lbs. (56.7 kg)	300 x 300 mm 400 x 400 mm 600 x 400mm	3.5" (88.9mm)	51" (1295.4 mm)	30" (762.0 mm)	49"
LF46UWP-B2B	White											50"
LF47UBP-B2B	Black											55"
LF47UWP-B2B	White											
LF48UBP-B2B	Black											
LF48UWP-B2B	White											
LF49UBP-B2B	Black											
LF49UWP-B2B	White											
LF50UBP-B2B	Black											
LF50UWP-B2B	White											
LF55UBP-B2B	Black											
LF55UWP-B2B	White											

Note: Add "G" to end of SKUs for bonded 5/32" (4 mm) tempered glass providing protection for your LCD display.

Overall Width (B)	Overall Height (C)	Overall Dept (D)	Side Bezels (E)	Top Bezels (F)
31.28" (794.5 mm)	73.76" (1873.5 mm)	8.5" (216 mm)	5.84" (148.3 mm)	7.2" (182.8 mm)
			5.44" (138.1 mm)	5.95" (151.1 mm)
			5.19" (131.8 mm)	5.75" (146 mm)
			4.39" (111.5 mm)	4.2" (106.6 mm)
			4.14" (105.1 mm)	3.8" (96.5 mm)
			3.89" (98.8 mm)	3.5" (88.9 mm)
35.25" (895.4 mm)	77.13" (1959.2 mm)	8.5" (216 mm)	5.73" (164.5 mm)	6.48" (164.5 mm)
			5.48" (139.1 mm)	6.08" (154.3 mm)
			4.23" (107.3 mm)	3.83" (97.2 mm)



Overall Width (B)	Overall Height (C)	Viewing Area Width (D)	Side Bezels (E)	Top Bezels (F)
31.28" (794.5 mm)	73.76" (1873.5 mm)	8.5" (216 mm)	5.84" (148.3 mm)	7.2" (182.8 mm)
			5.44" (138.1 mm)	5.95" (151.1 mm)
			5.19" (131.8 mm)	5.75" (146 mm)
			4.39" (111.5 mm)	4.2" (106.6 mm)
			4.14" (105.1 mm)	3.8" (96.5 mm)
			3.89" (98.8 mm)	3.5" (88.9 mm)
35.25" (895.4 mm)	77.13" (1959.2 mm)	8.5" (216 mm)	5.73" (164.5 mm)	6.48" (164.5 mm)
			5.48" (139.1 mm)	6.08" (154.3 mm)
			4.23" (107.3 mm)	3.83" (97.2 mm)



AV STORAGE CAPACITIES

Image diagonals 40" - 48"
(H x W x D) 20" x 28.1" x 5.84"
(508 mm x 715 mm x 148 mm)

Image diagonals 49" - 55"
(H x W x D) 16.7" x 32.1" x 5.84"
(423 mm x 814 mm x 148 mm)

IMPACT™ SERIES

On-Wall Kiosks

The Impact™ On-Wall Kiosk brings new flexibility to the digital signage enclosure market while maintaining a sleek aesthetic to complement a variety of environments. A depth-adjustable exterior frame allows for a variety of displays to be used. Reversible hinges help avoid installation and service obstructions, and the exclusive design keeps the display mounted to the frame when opened, providing unparalleled service and maintenance access.



**DEPTH
ADJUSTMENT**



KIOSK LATCH



LEVER LOCK™



**VENTILATION
LOUVERS**



- Depth-adjustable exterior frame
- Mounted display swing frame for optimal accessibility
- Reversible hinges ease installation and servicing
- Integrated passive cooling vents with active thermal management options
- Designed to compensate for uneven walls, keeping front of frame flat
- Tamperproof security hardware protects technology investments
- Tool-free on-wall storage with Middle Atlantic's Lever Lock™ technology (LL-VP2110 sold separately)
- Optimize storage using Chief's PAC Series In-Wall Storage Boxes
- Available in black and white
- Custom colors, logos and protective glass can be special ordered
- UL Listed

IMPACT™ SERIES

On-Wall Kiosks

DIMENSIONS & COMPATIBILITY

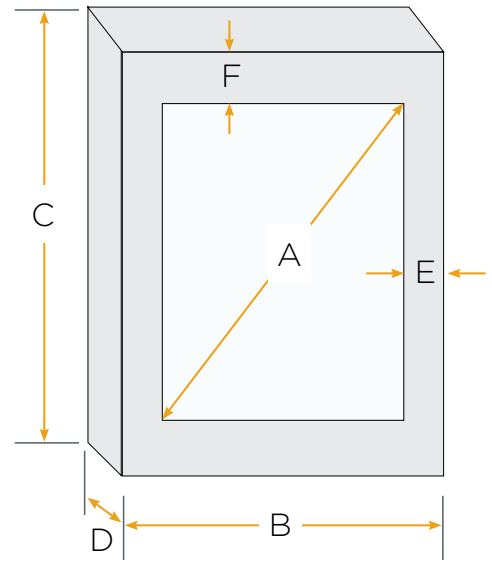
Model	Color	Weight Capacity	Mounting Patterns	Max Display Depth	Max TV Width	Max TV Height	Image Diagonal (A)	
LW40UBP	Black	100 lbs. (45.3 kg)	200 x 200 mm 300 x 300 mm 400 x 400 mm	3.75" (95.3 mm)	38.2" (970.3 mm)	23.4" (594.4 mm)	40"	
LW40UWP	White						42"	
LW42UBP	Black						43"	
LW42UWP	White							
LW43UBP	Black							
LW43UWP	White							
LW46UBP	Black	100 lbs. (45.3 kg)	300 x 300 mm 400 x 400 mm	3.75" (95.3 mm)	43" (1092.2 mm)	26" (660.4 mm)	46"	
LW46UWP	White						47"	
LW47UBP	Black							
LW47UWP	White							
LW48UBP	Black							
LW48UWP	White							
LW49UBP	Black	125 lbs. (56.7 kg)	300 x 300 mm 400 x 400 mm	3.75" (95.3 mm)	51" (1295.4 mm)	30" (762.0 mm)	49"	
LW49UWP	White						50"	
LW50UBP	Black							
LW50UWP	White							
LW55UBP	Black							
LW55UWP	White							
LW65UBP	Black	175 lbs.* (79.4 kg)	300 x 300 mm 400 x 400 mm 600 x 400 mm 600 x 600 mm	3.75" (95.3 mm)	63" (1600.2 mm)	36.5" (927.1 mm)	65"	
LW65UWP	White							
LW70UBP	Black							
LW70UWP	White							
LW75UBP	Black					68" (1727.2 mm)	39" (990.6 mm)	70"
LW75UWP	White							75"

*175 lbs. for wood stud, plywood backed steel stud, block & concrete. 125 lbs. in steel stud.

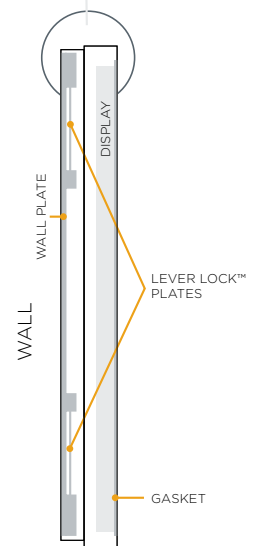
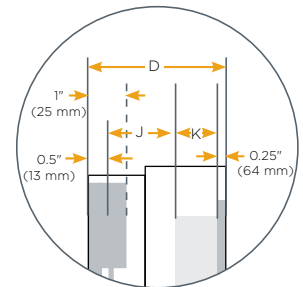
Note: Add "G" to end of SKUs for bonded 5/32" (4 mm) tempered glass providing protection for your LCD display.

 [WATCH THE VIDEO](#)

Overall Width (B)	Overall Height (C)	Overall Depth (D)	Side Bezels (E)	Top/Bottom Bezels (F)
26.0" (660.4 mm)	43.0" (1092.2 mm)	3-5" (76-127 mm)	3.20" (81.3 mm)	4.4" (113.0 mm)
			2.80" (71.1 mm)	3.2" (81.3 mm)
			2.55" (64.8 mm)	3.0" (76.2 mm)
28.5" (723.9 mm)	46.5" (1181.1 mm)	3-5" (76-127 mm)	3" (76.2 mm)	3.2" (81.3 mm)
			2.75" (69.9 mm)	2.8" (71.1 mm)
			2.5" (63.5 mm)	2.5" (63.5 mm)
32.5" (825.5 mm)	54.5" (1384.3 mm)	3-5" (76-127 mm)	4.35" (109.2 mm)	6.1" (154.9 mm)
			4.1" (104.1 mm)	5.7" (144.8 mm)
			2.85" (72.4 mm)	3.45" (87.6 mm)
39" (990.6 mm)	66.5" (1689.1 mm)	3-5" (76-127 mm)	3.7" (94 mm)	5.15" (129.5 mm)
			2.45" (61 mm)	2.95" (74.9 mm)
41.5" (1054.1 mm)	71.5" (1816.1 mm)	3-5" (76-127 mm)	2.5" (63.5 mm)	3.25" (82.6 mm)



Front of Frame



Side of Frame

SPECIFICATIONS

Orientation: Portrait

Exterior Frame Depth Range: 3 - 5" (76 - 127mm)

Max Display Depth: 3.75" (95 mm)

NOTE: To keep the exterior frame depth at 4" (102 mm) or less a maximum display depth of 2.75" (69 mm) can be used.

On-Wall Storage Width (H): 16.5" (419 mm)

On-Wall Storage Height (I): 6.4" (164 mm) for 46 - 48" models; 10.4" (264 mm) for 49 - 75" models

On-Wall Storage Depth (J): Dependent on dept of display and desired frame depth; see Side of Frame view and below equations for details

- **Overall Kiosk Depth:** $D = 1.25" + K$
- **On-Wall Storage Depth:** $J = D - K - 3/4"$

IMPACT™ SERIES

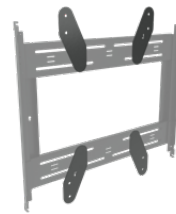
Floor & On-Wall ACCESSORIES



RLNK-215
PDU with RackLink™



FWD-SIDECLMP-4
AV Storage Mounting Clamps



FHBUL
VESA Adapter Bracket Extends
VESA range up to 200 mm

Additional Floor ACCESSORIES



DCFANKIT-4
100 CFM Active
Cooling Fan



UCP-FAN
15 CFM Active
Cooling Fan



PACLFB, PACLFW
Single-Sided
Freestanding Base

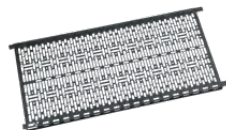


PACLFB-B2B, PACLFW-B2B
Back-to-Back
Freestanding Base

Additional On-Wall ACCESSORIES



PAC525, PAC526 & PAC527
In-Wall Storage Boxes



LL-VP2110
Lever Lock™ 21x10" (533 x 254mm)
On-Wall AV Storage Tray



PACFANI
Active Thermal Management Fan Kit
Options

