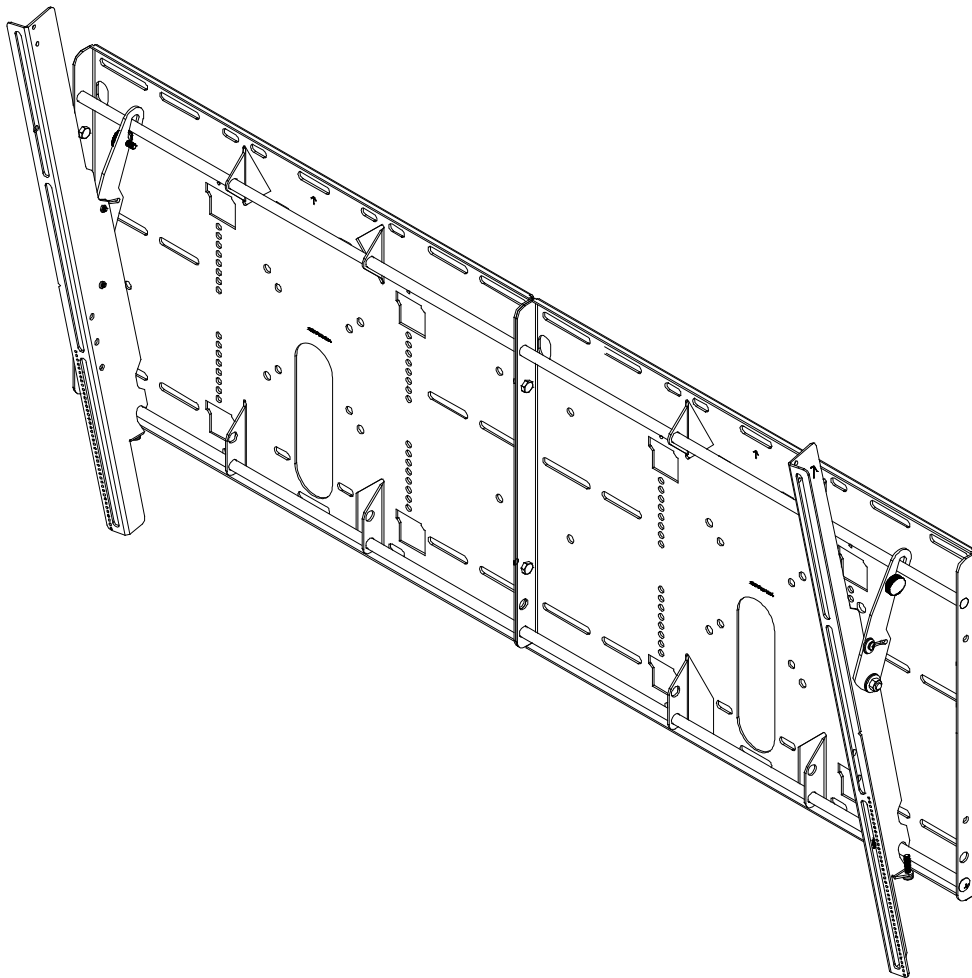


INSTALLATION INSTRUCTIONS



Universal Tilt Wall Mount

Model: CTM-MS4

NORTH AMERICA

3130 East Miraloma Avenue
Anaheim, CA 92806 USA

USA and Canada

Phone: 1.800.368.9700

Fax: 1.800.832.4888

Other Locations

Phone: (001).714.632.7100

Fax: (001).714.632.1044

EUROPE

Swallow House,
Shilton Industrial Estate,
Shilton, Coventry, England CV79JY

Phone: +44 (0) 2476 614700

Fax: +44 (0) 2476 614710

AUSTRALIA AND OCEANIA

Distributed by Amber Technology Limited
Unit B, 5 Skyline Place

Frenchs Forest NSW 2086

Australia

Phone: +61 2 9452 8600 Sydney Office

Toll Free: 1-800-368-9700

Email: mounts@ambertech.com.au



Table of Contents

Warning Statements	- 3 -
Parts List	- 4 -
Installation Tools	- 4 -
How to Determine the Correct Spacer	- 6 -
Mounting Bracket Installation	- 8 -
CTM-MS4 Installation	- 11 -
Installing the Flat Panel Display (CTM-MS4)	- 14 -
Technical Specifications	- 17 -
Warranty	- 18 -
Contact Premier Mounts	- 18 -
Notes	- 18 -



Warning Statements



PREMIER MOUNTS DOES NOT WARRANT AGAINST DAMAGE CAUSED BY THE USE OF ANY PREMIER MOUNTS PRODUCT FOR PURPOSES OTHER THAN THOSE FOR WHICH IT WAS DESIGNED OR DAMAGE CAUSED BY UNAUTHORIZED ATTACHMENTS OR MODIFICATIONS, AND IS NOT RESPONSIBLE FOR ANY DAMAGES, CLAIMS, DEMANDS, SUITS, ACTIONS OR CAUSES OF ACTION OF WHATEVER KIND RESULTING FROM, ARISING OUT OF OR IN ANY MANNER RELATING TO ANY SUCH USE, ATTACHMENTS OR MODIFICATIONS.



THE WALL STRUCTURE MUST BE CAPABLE OF SUPPORTING 300 LBS. IF NOT, THE WALL STRUCTURE MUST BE REINFORCED. PROPER INSTALLATION PROCEDURE BY A QUALIFIED SERVICE TECHNICIAN, AS OUTLINED IN THE INSTALLATION INSTRUCTIONS, MUST BE ADHERED TO. FAILURE TO DO SO COULD RESULT IN SERIOUS PERSONAL INJURY, OR EVEN DEATH.



SAFETY MEASURES MUST BE PRACTICED AT ALL TIMES DURING THE INSTALLATION OF THIS PRODUCT. USE PROPER SAFETY GEAR AND TOOLS FOR THE INSTALLATION PROCEDURE TO PREVENT PERSONAL INJURY.



PRIOR TO THE INSTALLATION OF THIS PRODUCT, THE INSTALLATION INSTRUCTIONS SHOULD BE READ AND COMPLETELY UNDERSTOOD. THE INSTALLATION INSTRUCTIONS MUST BE READ TO PREVENT PERSONAL INJURY AND PROPERTY DAMAGE. KEEP THESE INSTALLATION INSTRUCTIONS IN AN EASILY ACCESSIBLE LOCATION FOR FUTURE REFERENCE.



Indicates that the power plug is to be disconnected from the power outlet.



Contact Premier Mounts with any questions - (800) 368-9700



Safety precautions must be taken at all times.



Warning and Caution statements.



Do not install on a structure that is prone to vibration, movement or chance of impact. Failure to do so could result in damage to the flat panel display and/or damage to the mounting surface.



Do not install near heater, fireplace, direct sunlight, air conditioning or any other source of direct heat energy. Failure to do so may result in damage to the flat panel display and could increase the risk of fire.

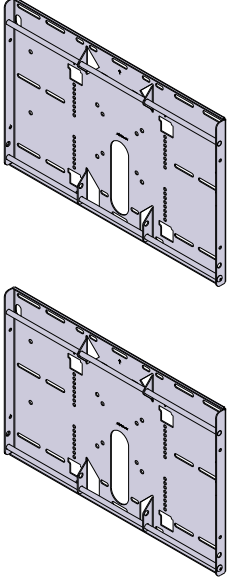
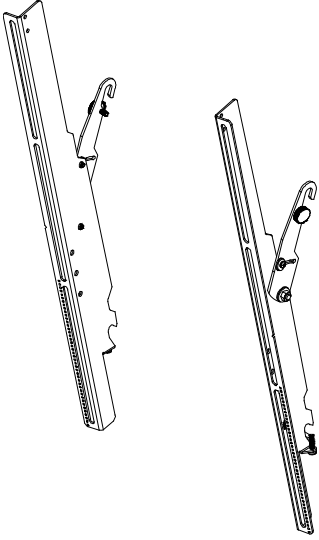
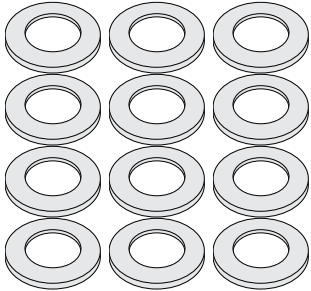
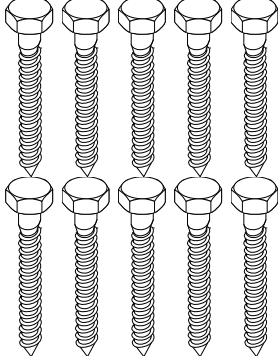
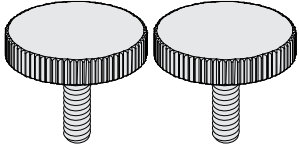
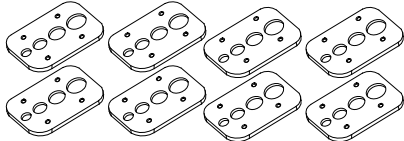
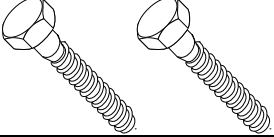
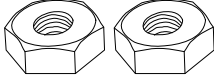



At least two qualified people should perform the installation procedure. Injury and/or damage can result from dropping or mishandling the flat panel display.



Parts List

NOTE: This wall mount is shipped with all proper installation hardware and components. Make sure that none of these parts are missing and/or damaged before beginning installation. If there are parts missing and/or damaged, please stop the installation and contact Premier Mounts (800-368-9700).

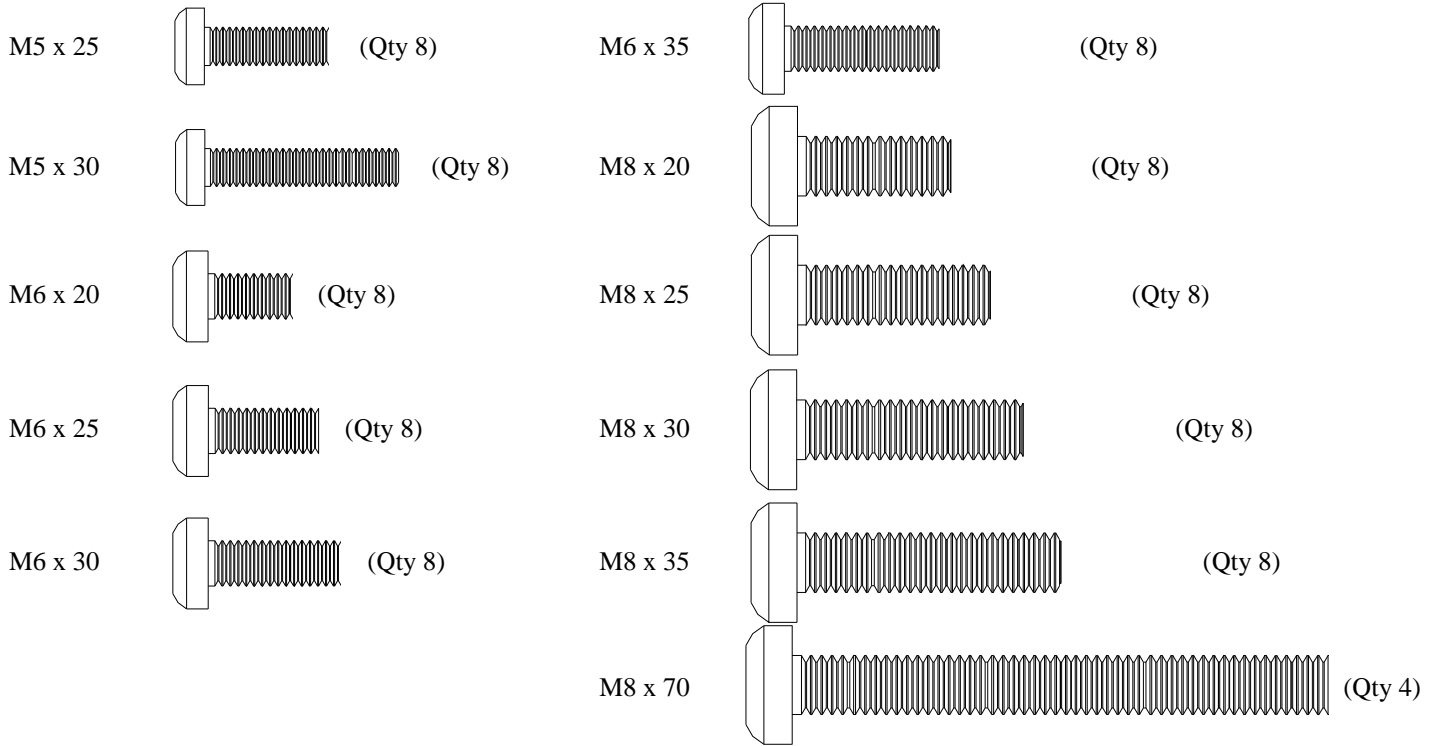
<p>Wall Plate (Qty 2)</p> 	<p>Mounting Brackets (Qty 2)</p> 
<p>5/16" Flat Washers (Qty 12)</p> 	<p>5/16" x 3" Lag Bolts (wooden studs only) (Qty 12)</p> 
<p>M6 x 12mm Safety Knobs (Qty 2)</p> 	<p>Griplate™ (Qty 8)</p> 
<p>M8 x 16mm Hex Head Bolt (Qty 2)</p> 	<p>M8 Hex Nut (Qty 2)</p> 
<p>5/16" x 1-1/4" Mounting Rod Set Screw (Qty 1)</p> 	

Installation Tools

Phillips Head Screw Driver
Pencil
Level (Supplied)

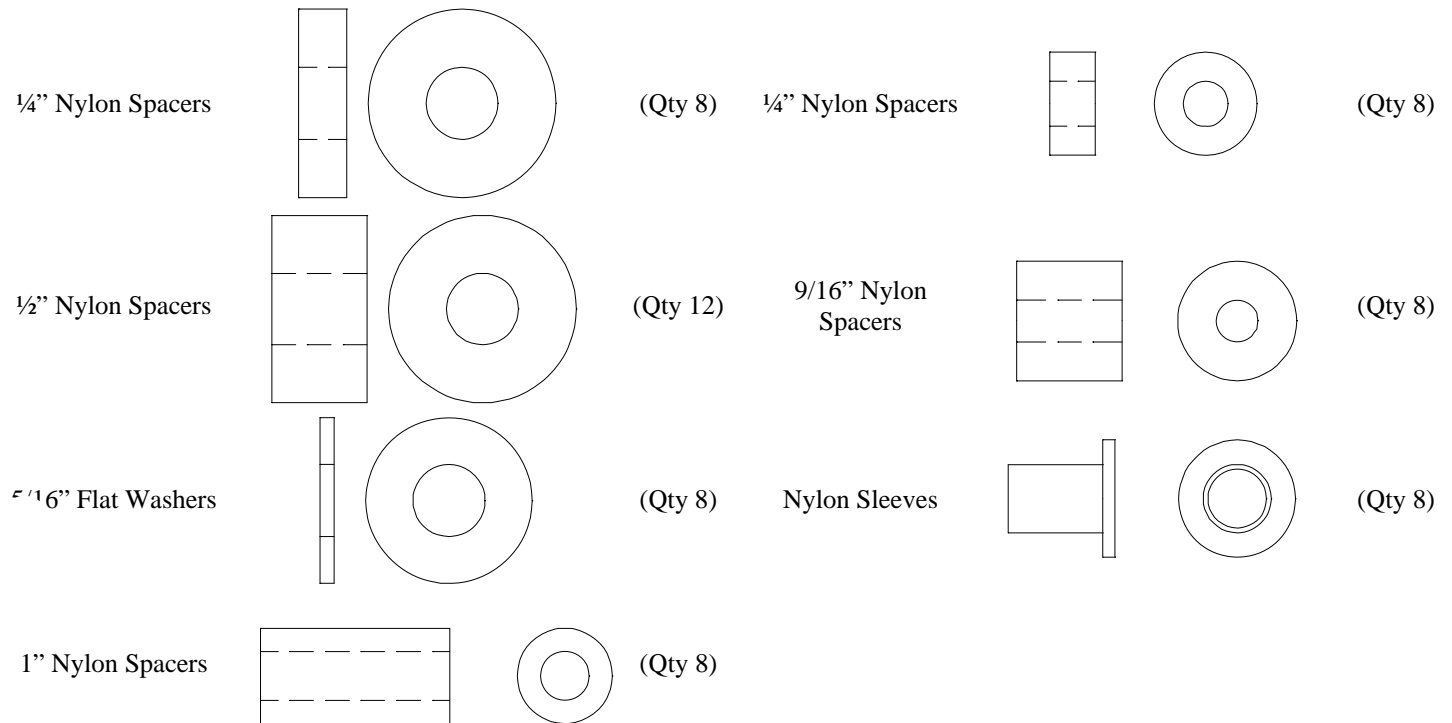
Soft Material/ Blanket
Tape Measure
Thread Depth Indicator (Supplied)

½" Socket and Wrench
Drill Gun



Nylon spacers and flat washers' actual size

NOTE: The nylon spacers may be stacked to achieve proper spacing.





How to Determine the Correct Spacer

1. The following illustration shows a display mounting surface that will not need the use of a spacer.



2. The illustration shows a display mounting surface that will need a spacer to correctly install the mounting plate.
3. Anytime a display has a recessed mounting point, a spacer must be used.
4. Select the spacer(s) that will create a flush and level mounting surface for the mounting plate.



5. The following illustration shows how a thread depth indicator should be used to determine which spacer should be used.



6. The following illustration shows how a correctly installed spacer and mounting screw will sit in a recessed mounting point.





Thread Depth Indicator

1. Insert the thread depth indicator (supplied) through the thread inserts found on the back of the flat panel to make sure the inserts measure the same full depth and mark it (Figure 1).
2. Locate the correct diameter screw for the thread insert. Compare your marking to the screws (supplied).
3. If your selected screw is longer than the marking on the thread depth indicator, **DO NOT USE** this screw.
4. The screw length must not bypass the marking. Select another screw size (Figure 2 and 3), until you find one that comes closest to your mark without going past the mark on the Thread Depth Indicator.

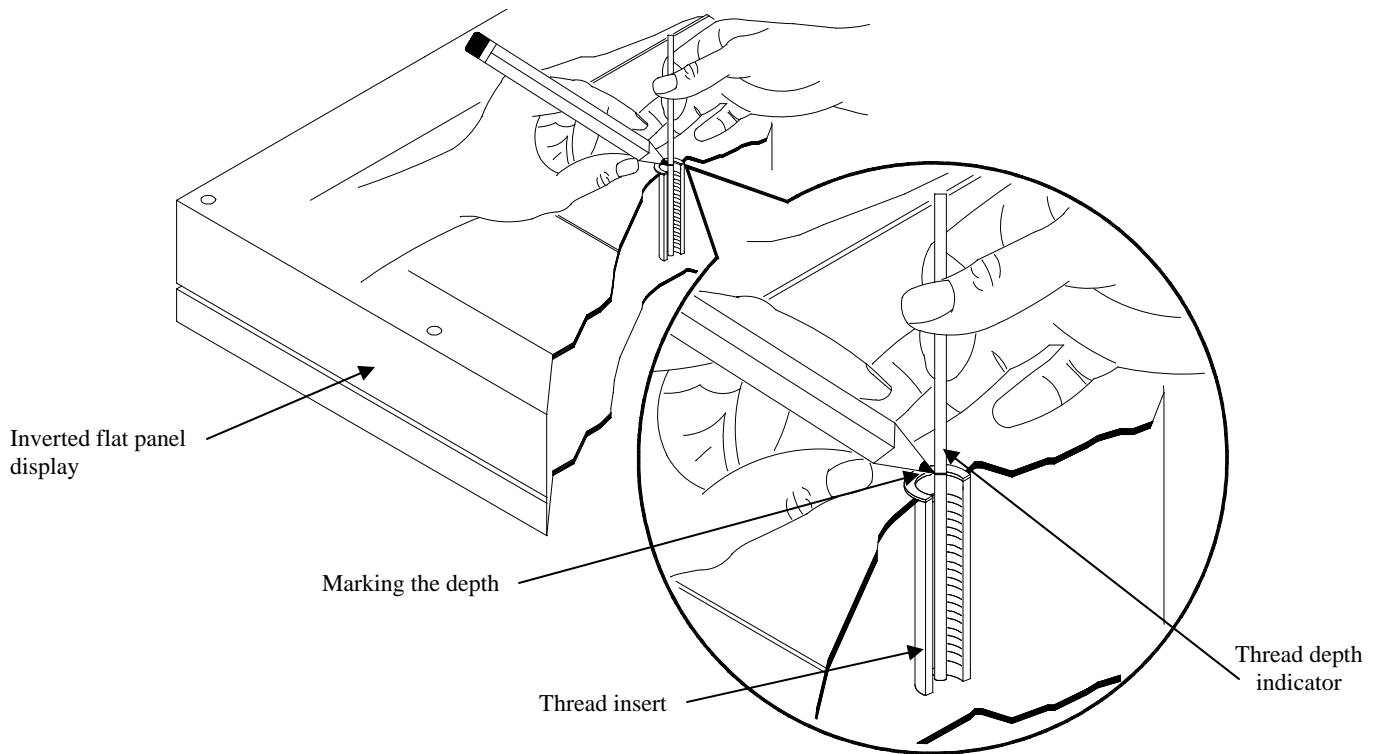


Figure 1

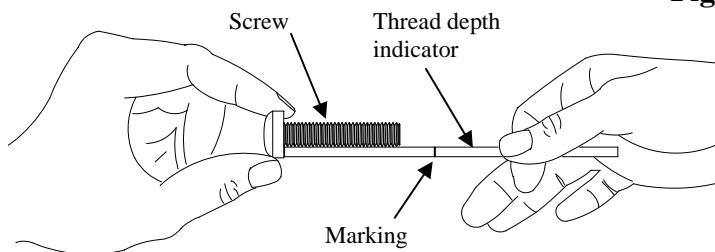


Figure 2

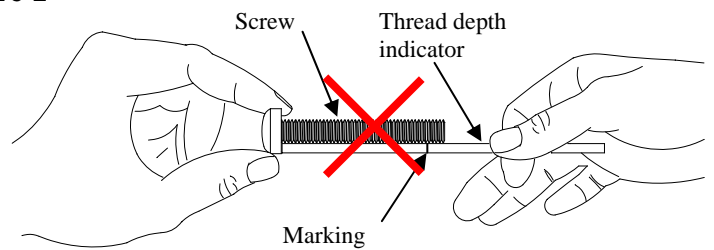


Figure 3



Mounting Bracket Installation

NOTE: Proper installation procedure by qualified personnel as outlined in the installation instructions must be adhered to. Failure to do so could result in serious personal injury and possible damage to the flat panel.

WARNING: INVERT THE FLAT PANEL PLACE IT ON A SOFT, FLAT SURFACE TO PREVENT DAMAGE TO THE FLAT PANEL. USE A BLANKET, FOAM, ETC. FAILURE TO DO SO WILL RESULT IN DAMAGING THE FLAT PANEL. DO NOT LAY THE FLAT PANEL ON THE FLOOR WITHOUT ANY PROTECTION TO THE GLASS. THE FLAT PANEL IS HEAVY AND FRAGILE. AT LEAST TWO QUALIFIED PERSONNEL ARE STRONGLY RECOMMENDED FOR INSTALLATION OF THIS PRODUCT. FAILURE TO DO SO COULD RESULT IN SERIOUS INJURY AND POSSIBLE DAMAGE TO THE FLAT PANEL.

1. Once the flat panel is inverted, use a measuring tape to find the center of your flat panel measuring from outside to outside of the flat panel (Figure 4).
2. Using a pencil lightly mark the center of your flat panel (Figure 5).

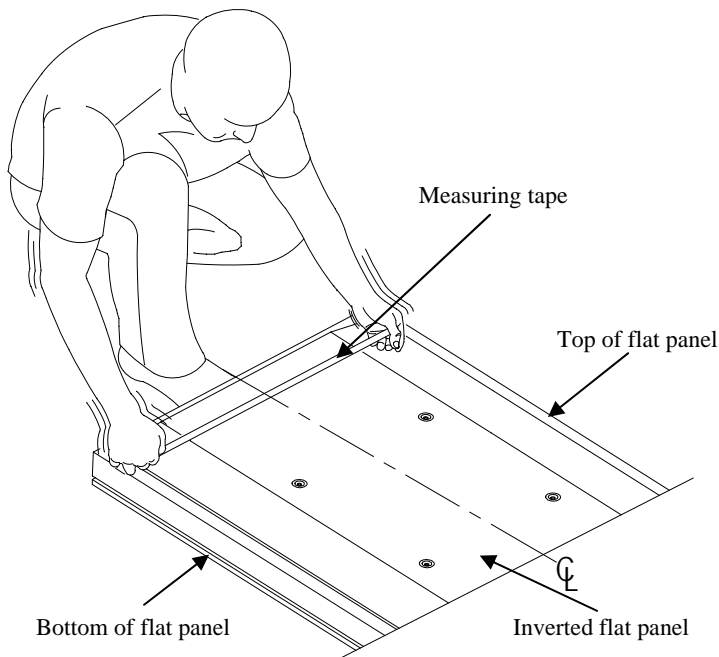


Figure 4

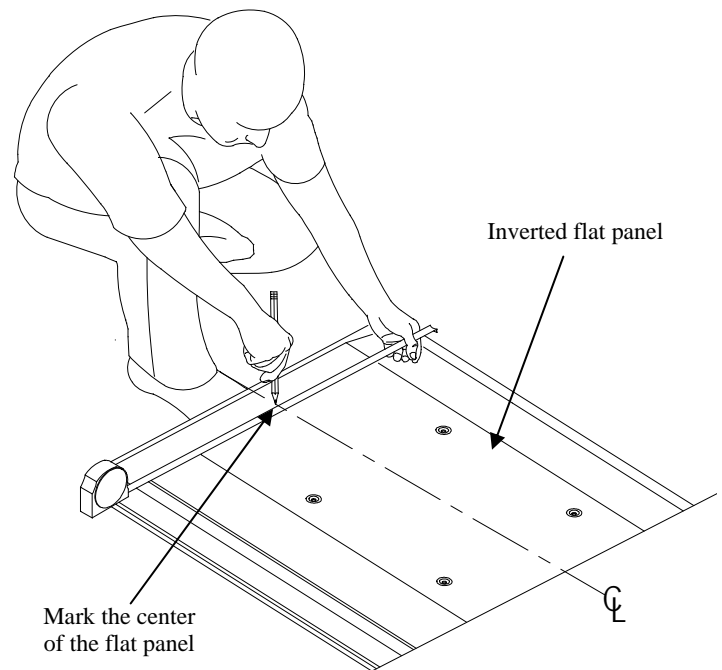


Figure 5



3. Install the nylon spacers (if needed) to the mounting points on the flat panel (Figure 6).
4. Lay the mounting brackets (stamped arrows facing out) - (Figure 7).

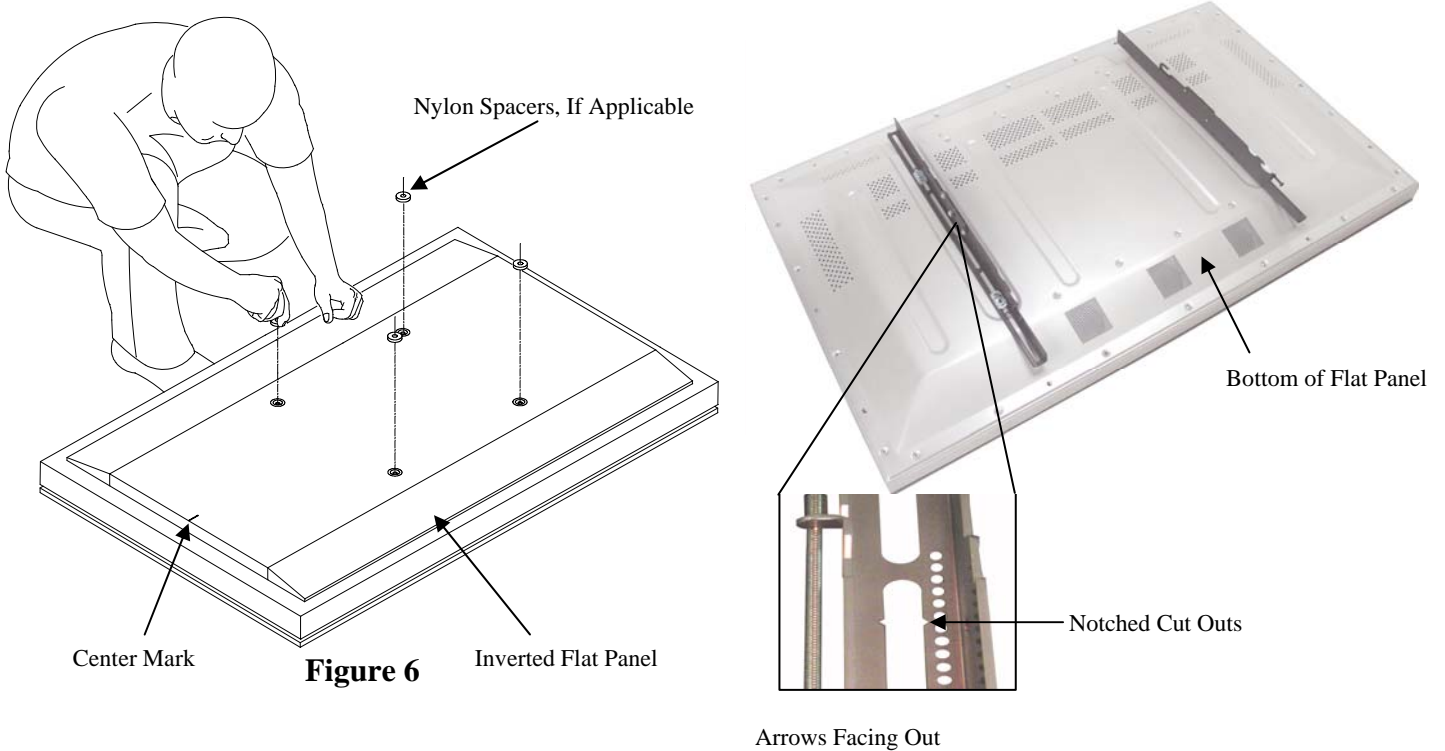


Figure 7

5. Match the center of viewing guide with the centerline you marked in Step 1 (Figure 8).
6. The mounting brackets are designed with a center of viewing guide on the outside (Figure 9).

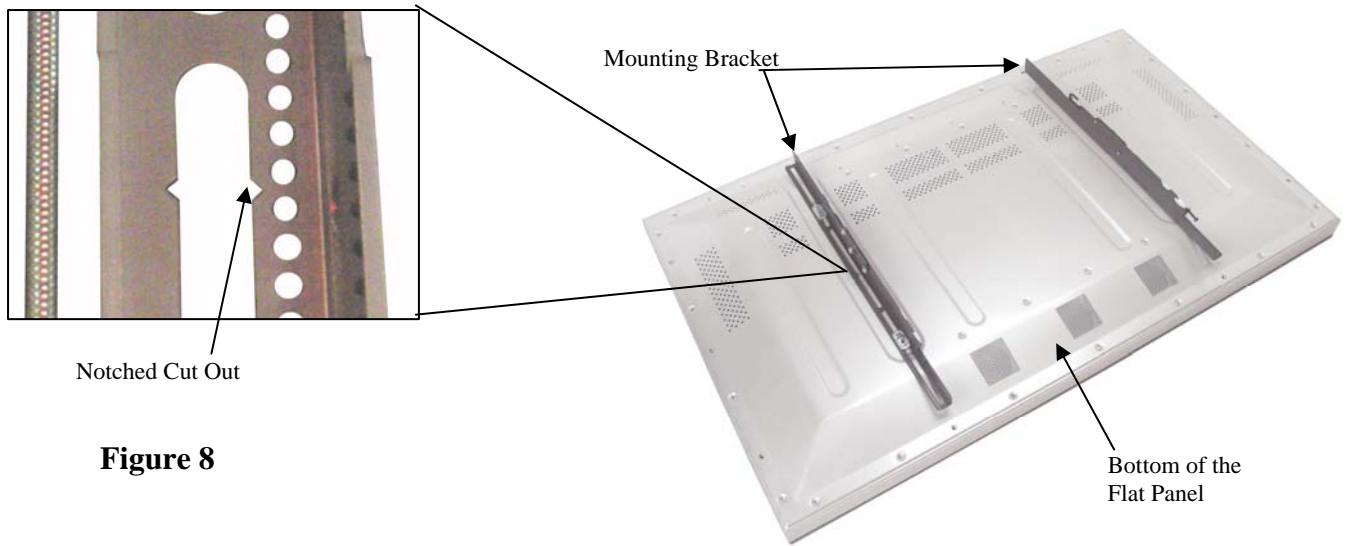


Figure 8

Figure 9

7. The Griplate™ has M4, M5, M6 and M8 hole patterns to fit the hardware that your flat panel requires.
EXAMPLE: If your plasma uses M8 x 20 Phillip screws, use the M8 mounting points (Figure 10).
8. Once the mounting brackets are aligned, secure the Griplate™ to the flat panel. Use (1) Griplate™ per mounting point (Figure 11).

NOTE: The dimples of the top Griplate™ have to be facing up and the bottom Griplate™ dimples must be facing down.

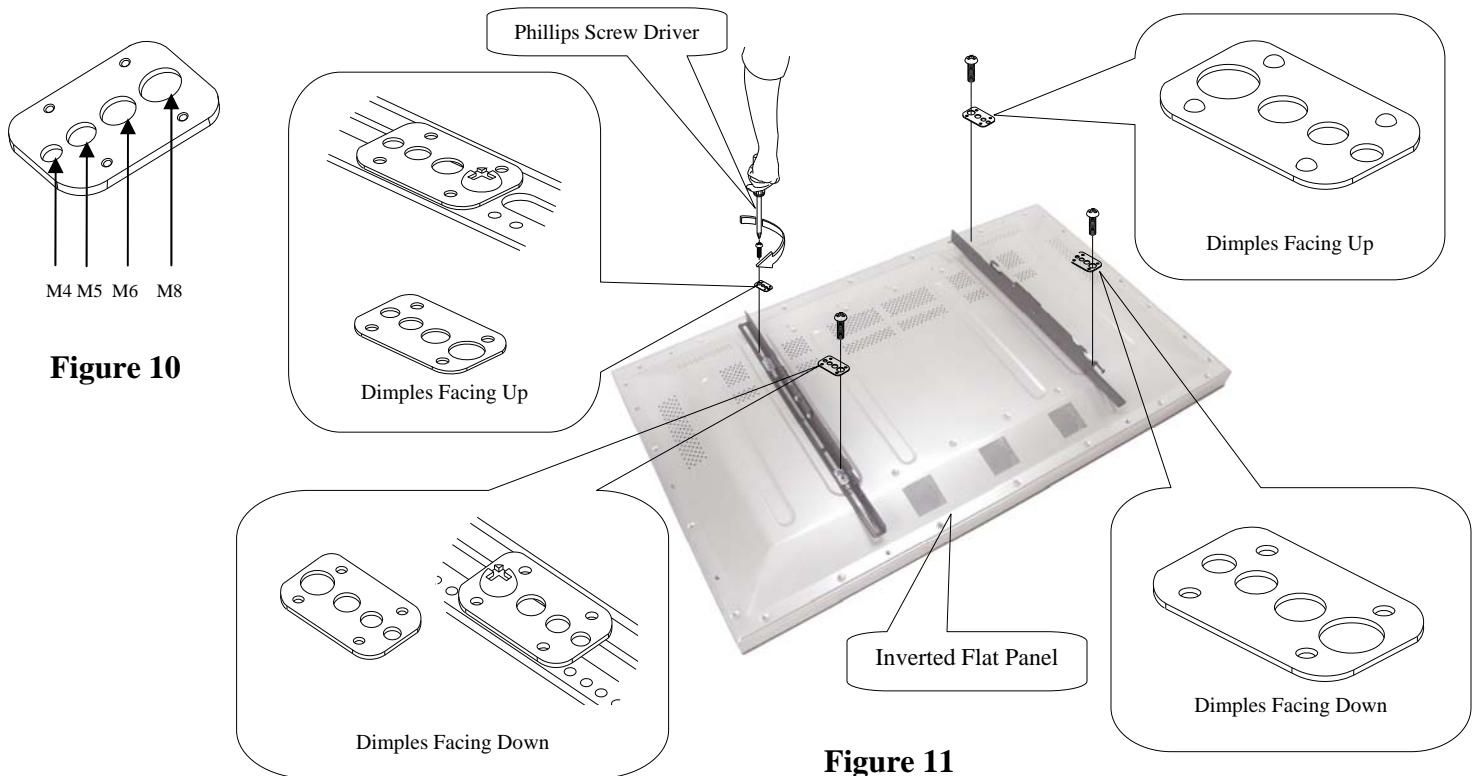


Figure 10

Figure 11



CTM-MS4 Installation

1. Using a (commercially available) wood stud finder, locate the 16" or 24" stud centers behind the wall (Figure 12).
2. Once found, make a pencil marking on the center of the wood studs (Figure 13).
3. Place the wall plate to the reference line and mark the lag bolt mounting points through the wall plate slots on the wall (see NOTE below).

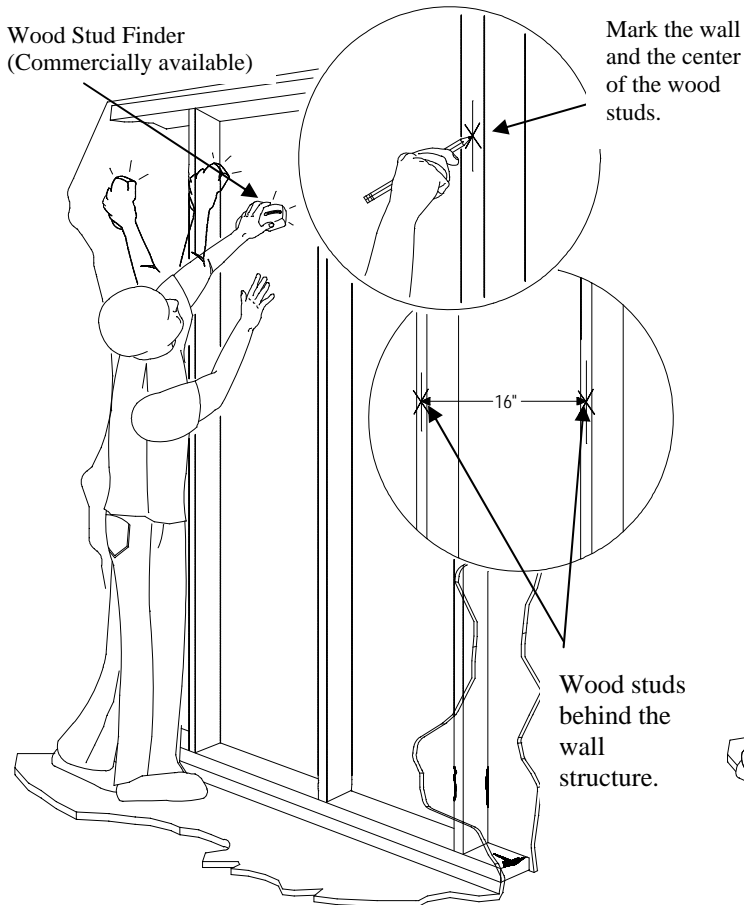


Figure 12

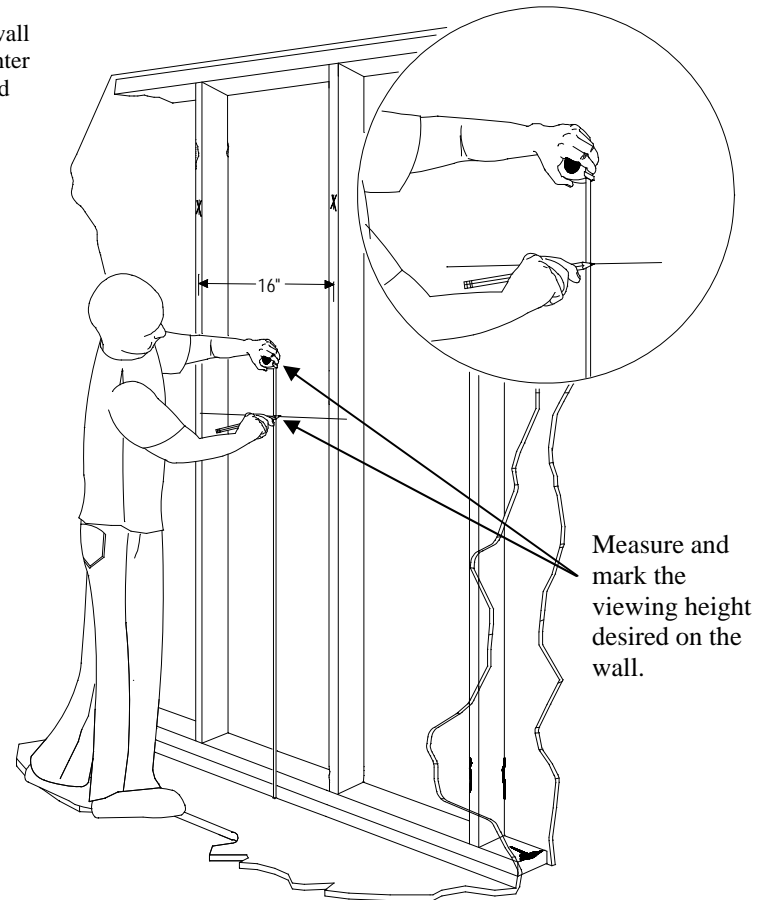
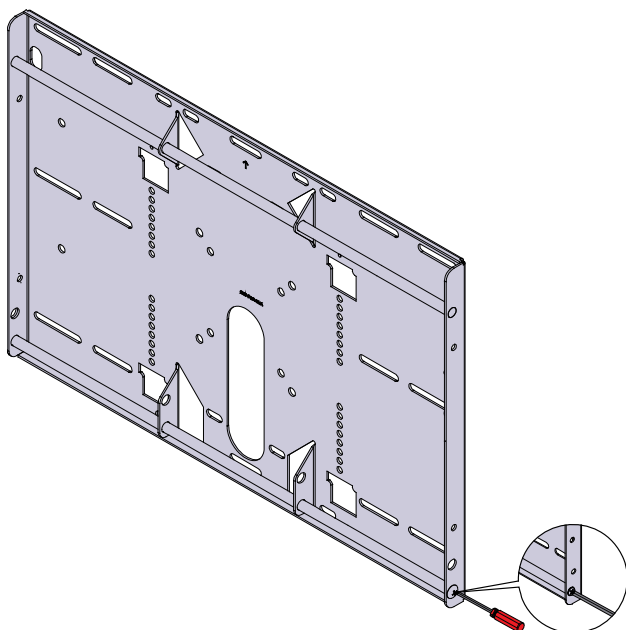
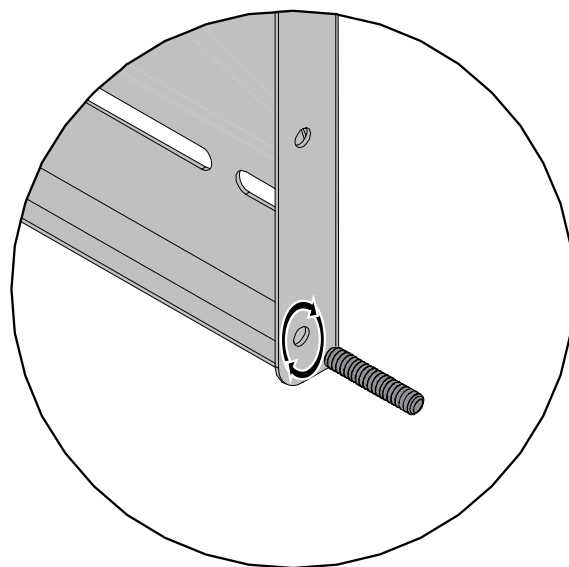


Figure 13

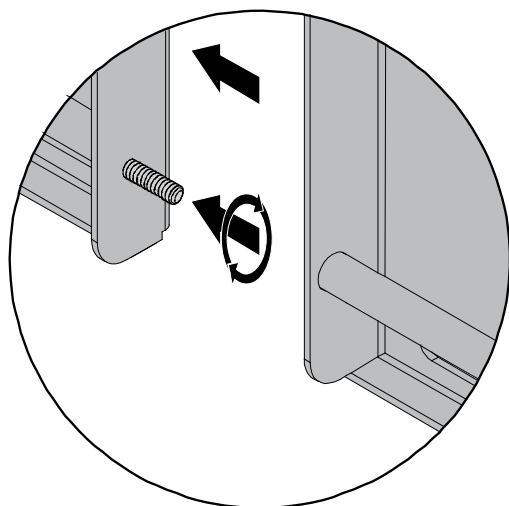
NOTE: Three studs that are 24" apart will need nine (9) lag bolts. Four studs that are 16" apart will need twelve (12) lag bolts.



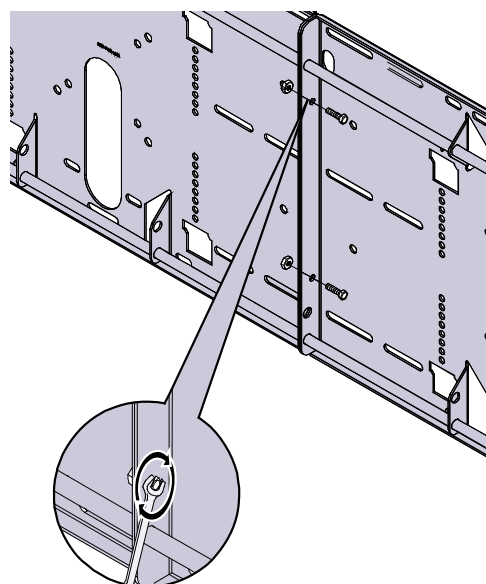
4. Use a screwdriver to remove the lower mounting rod screw.



5. Once the mounting rod screw is removed, insert one (1) 1 1/4" set screw.



6. Once the mounting rod set screw has been inserted into the first wall plate, place the second wall plate next to the first wall plate.
7. Line up the mounting hole with the mounting rod set screw and then slide the two wall plates together.
8. Slide the mounting rod onto the wall plate set screw and slowly thread the rod onto the set screw until tight.



9. Insert two (2) M8 x 16mm hex head bolts through the two holes and secure with two (2) M8 hex nuts.
10. Once the bolt and nut have been attached and finger tightened, use a wrench (not supplied) to tighten them.



11. Level the wall plate with the reference arrow pointing up to the ceiling (Figure 15).
12. Drill 1/4" pilot holes to the marked wall.
13. Secure the plate using the 5/16" lag bolts and flat washers (Figure 16).

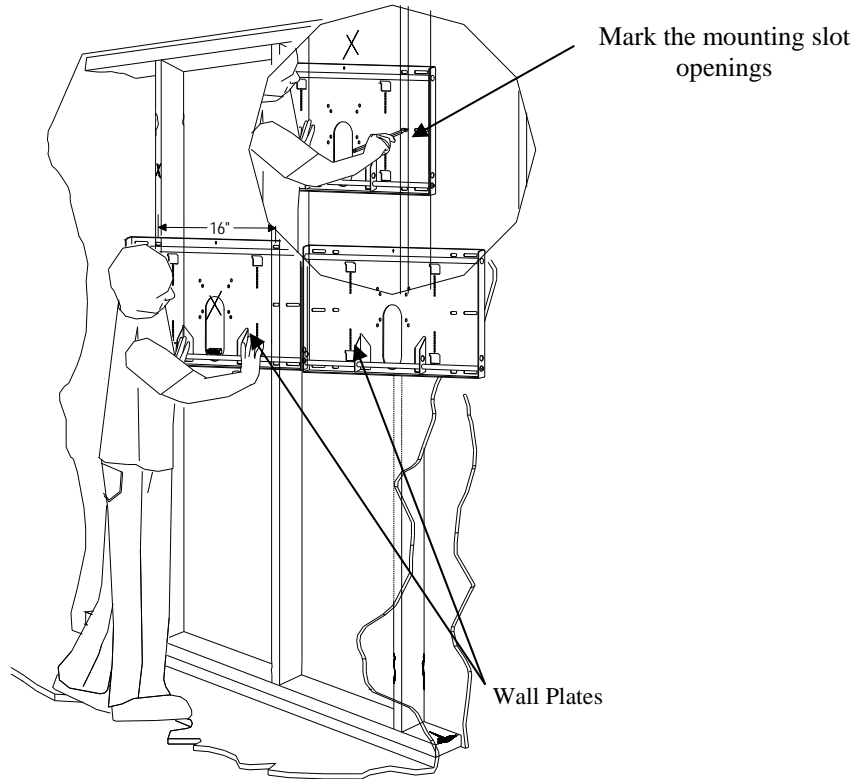


Figure 15

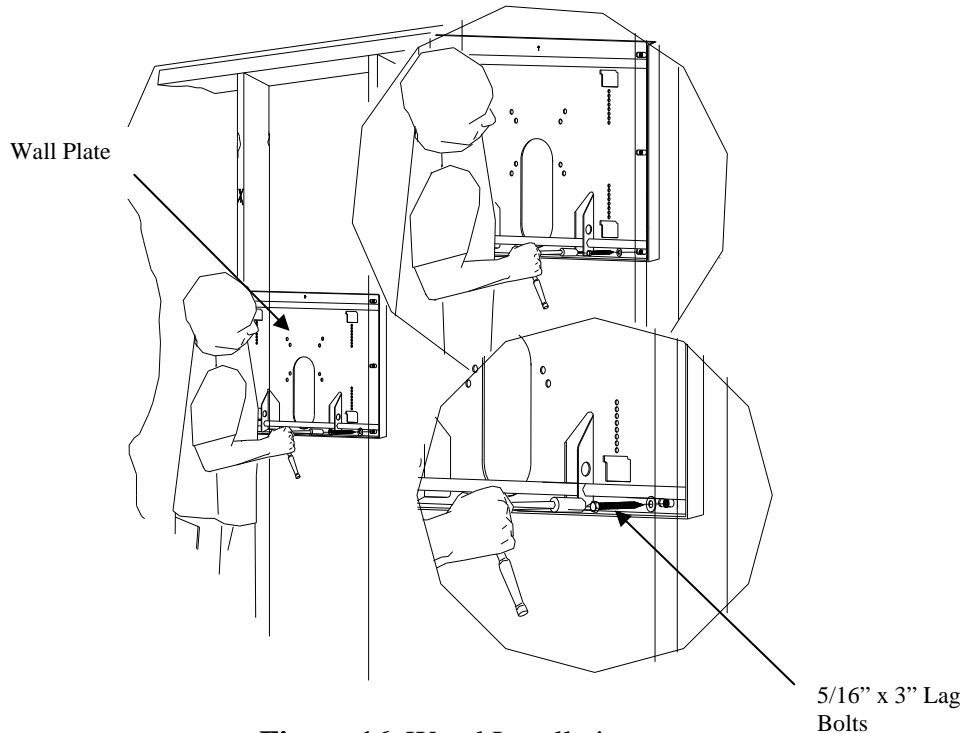


Figure 16. Wood Installation



Installing the Flat Panel Display (CTM-MS4)

WARNING: AT LEAST TWO QUALIFIED PERSONNEL ARE STRONGLY RECOMMENDED FOR INSTALLATION OF THIS PRODUCT. FAILURE TO DO SO COULD RESULT IN SERIOUS INJURY AND POSSIBLE DAMAGE TO THE FLAT PANEL.

1. Raise the flat panel with the mounting brackets secured to the flat panel and insert the top hooks over the upper rod. The lower hooks should rest on the lower rod (Figure 17).

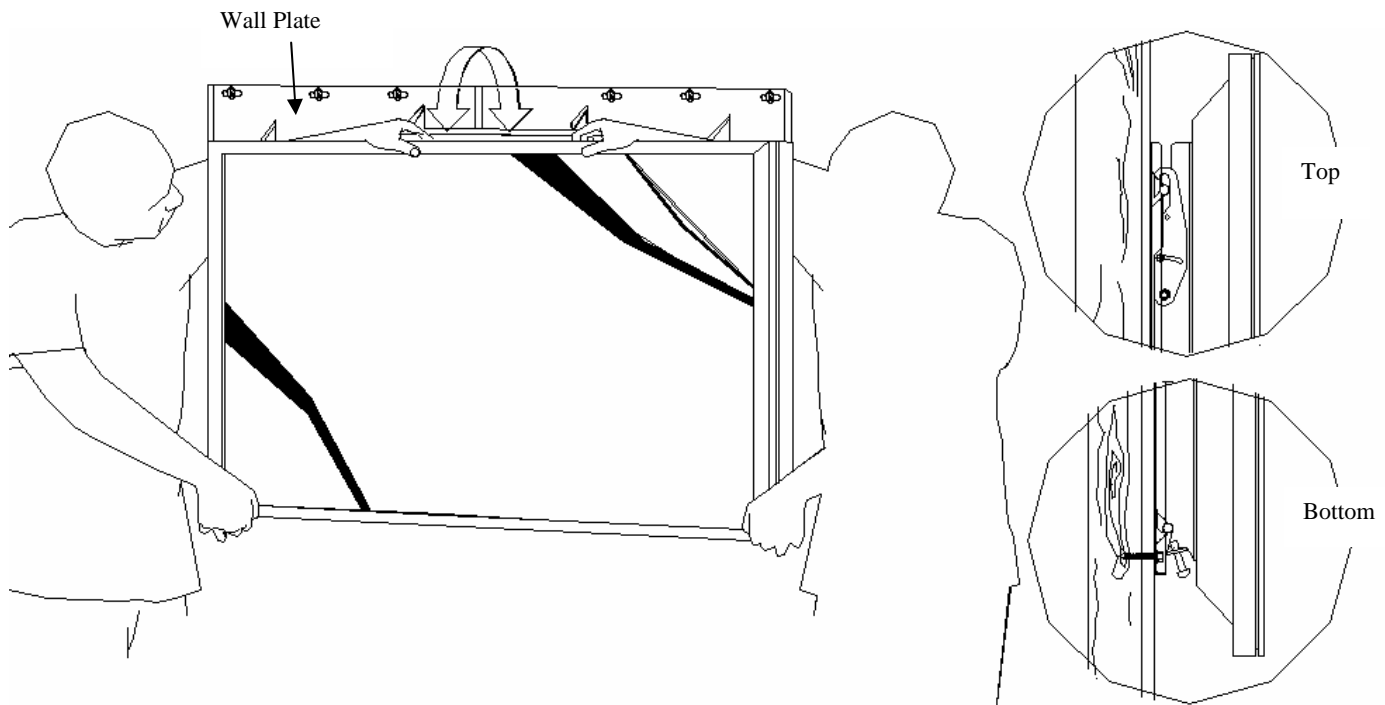


Figure 17



2. Make any lateral shift adjustment and lock it by tightening the screws found on the bottom of the mounting brackets.

CAUTION: Do not over tighten the screws to the rods (Figure 18).

NOTE: To remove the display from the wall simply loosen the screws using a Phillips screwdriver and lift the unit off the wall carefully.

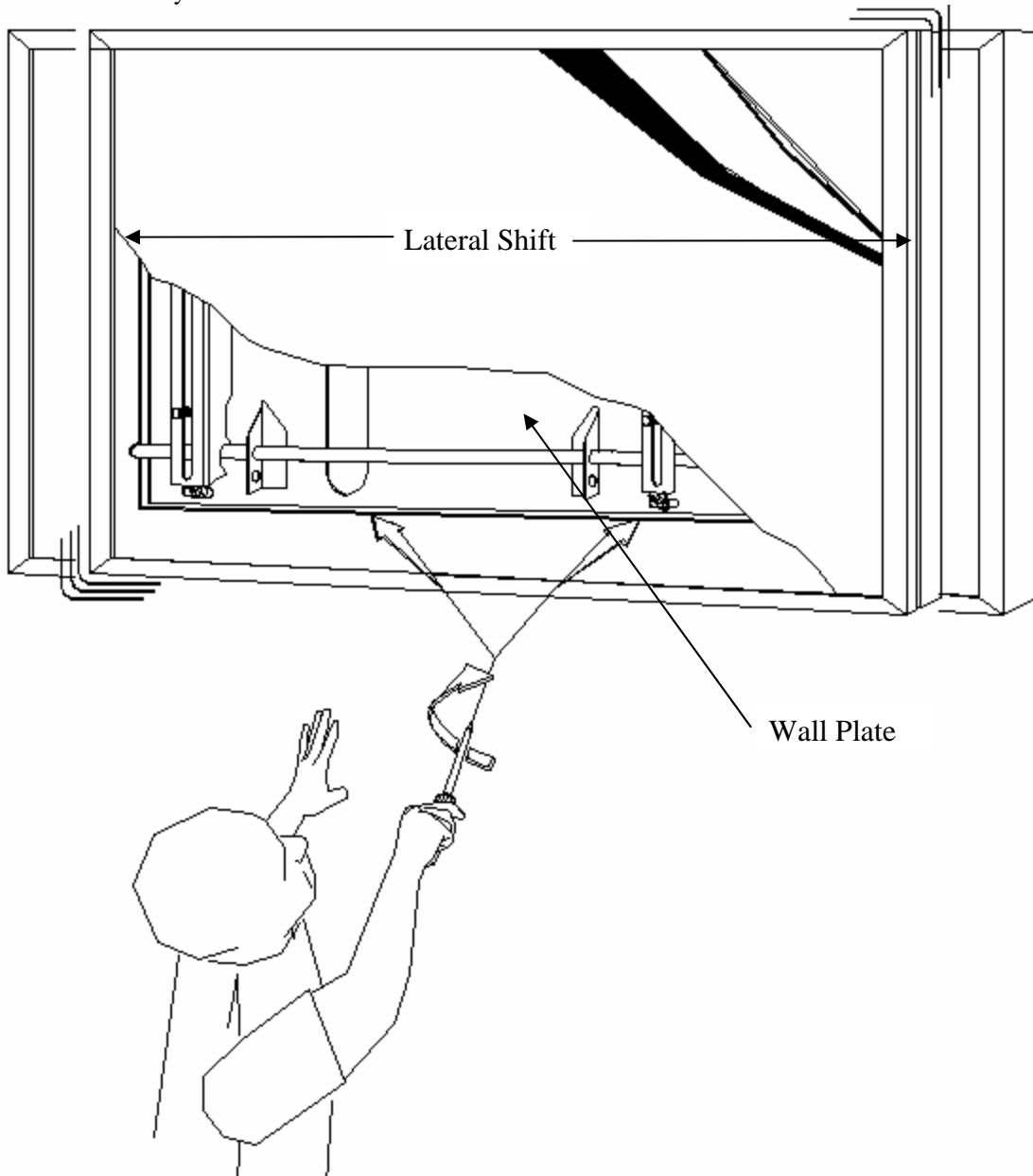


Figure 18



3. Tilt the flat panel and secure the safety knobs to each of the mounting brackets (Figure 19).

NOTE: To remove the display from the wall simply extend the display to its maximum tilt range, remove the safety knobs, push the flat panel back to its flat position, loosen or remove the lateral shift screws and lift the unit off the wall.

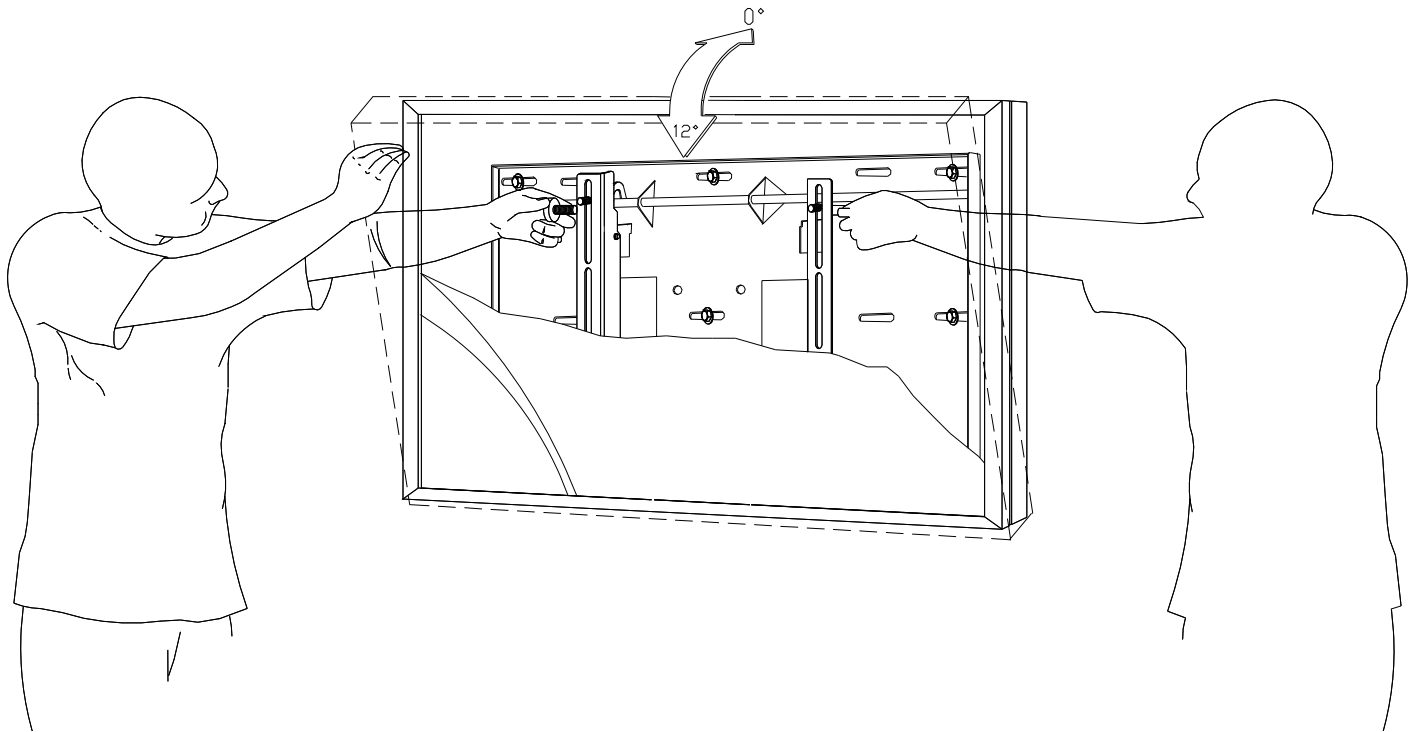


Figure 19



Technical Specifications

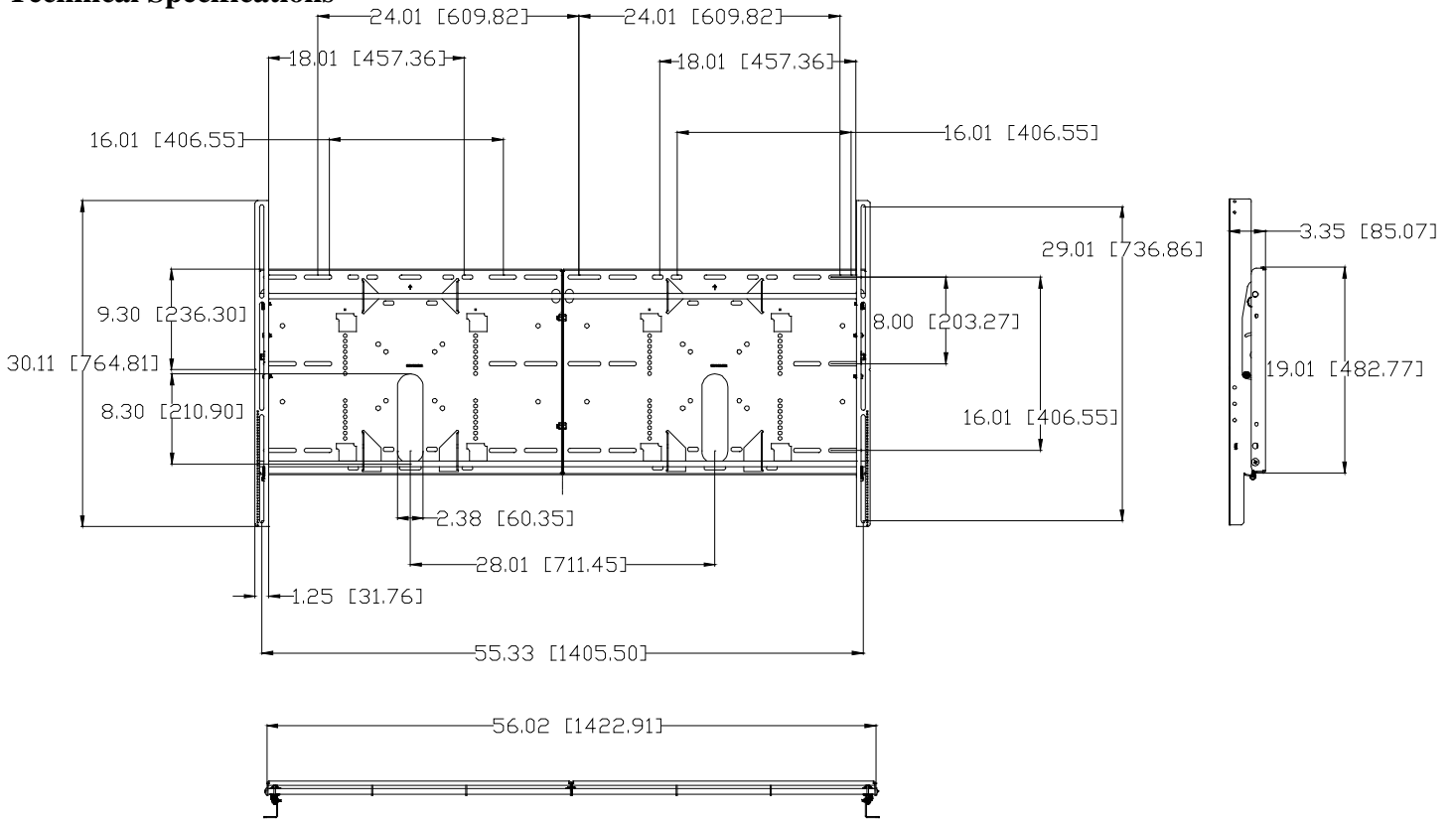


Figure 20



Warranty

Limited Lifetime Warranty

All Premier Mounts products carry a limited lifetime warranty from ship date against defects in materials and workmanship. Premier Mounts is not liable for improper installation that results in damage to mounts, adapters, display equipment or personal injury.

DISCLAIMER OF WARRANTY.

THE FOREGOING WARRANTY IS IN LIEU OF ALL OTHER WARRANTIES, EXPRESS OR IMPLIED, INCLUDING BUT NOT LIMITED TO THE IMPLIED WARRANTIES OF MERCHANTABILITY AND FITNESS FOR A PARTICULAR PURPOSE.

Contact Premier Mounts

In the event of missing and/or damage equipment, or technical questions, the following information can help in the completion of the installation.

Customer Service – (800) 368-9700

Technical Support – techsupport@mounts.com

Notes



(866) 469-7111 toll free

sales@knitec.com

www.knitec.com

NORTH AMERICA

3130 East Miraloma Avenue
Anaheim, CA 92806 USA

USA and Canada

Phone: 1.800.368.9700

Fax: 1.800.832.4888

Other Locations

Phone: (001).714.632.7100

Fax: (001).714.632.1044

EUROPE

Swallow House,
Shilton Industrial Estate,
Shilton, Coventry, England CV79JY

Phone: +44 (0) 2476 614700

Fax: +44 (0) 2476 614710

AUSTRALIA AND OCEANIA

Distributed by Amber Technology Limited
Unit B, 5 Skyline Place
Frenchs Forest NSW 2086

Australia

Phone: +61 2 9452 8600 Sydney Office

Toll Free: 1-800-368-9700

Email: mounts@ambertech.com.au