

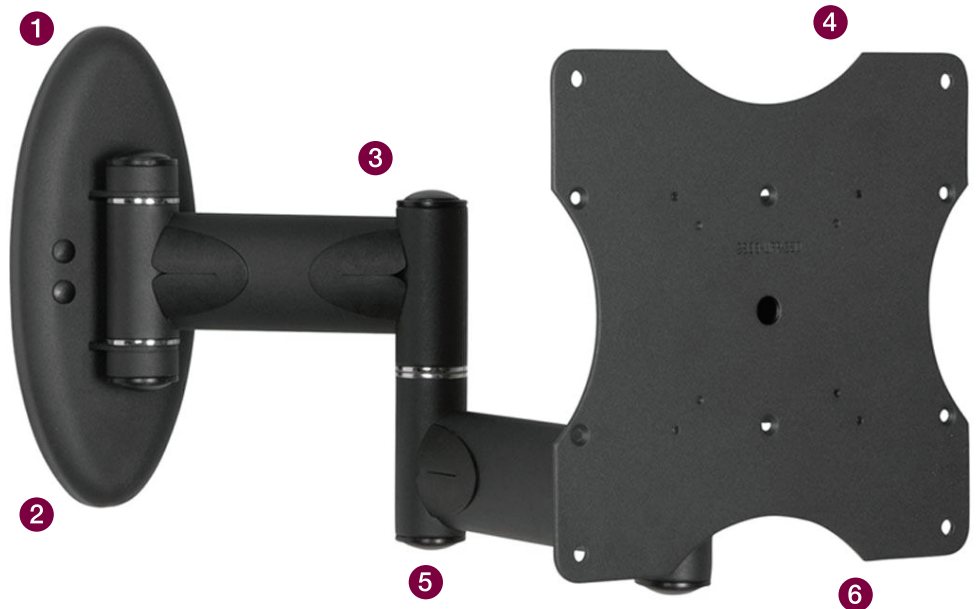
Weight Capacity: 50 lb | 22.68 kg

Dual Arm Swingout Mount for Flat-Panel Displays

Features

- 1 OSPHD approved for highest earthquake safety ratings
- 2 Single stud installation time saving solution
- 3 Dual arm swing out up to 16.9" from wall
- 4 Maximum VESA pattern of 200 x 200 mm
- 5 Radial Glide™ for smooth viewing angle adjustments
- 6 Supports displays up to 50 lbs.

The AM50-B is a single stud, dual arm swingout mounting solution for flat-panel displays. Single stud installation saves installation time and allows for integration into any space. 360° rotation and 90° of swivel ensure that displays are shown at the most optimal viewing height for any audience. The AM50-B is also OSHPD certified and UL certified demonstrating some of the safest mounting solutions available for integrators.



Dual Arm Swingout Mount for Flat-Panel Displays

AM50-B

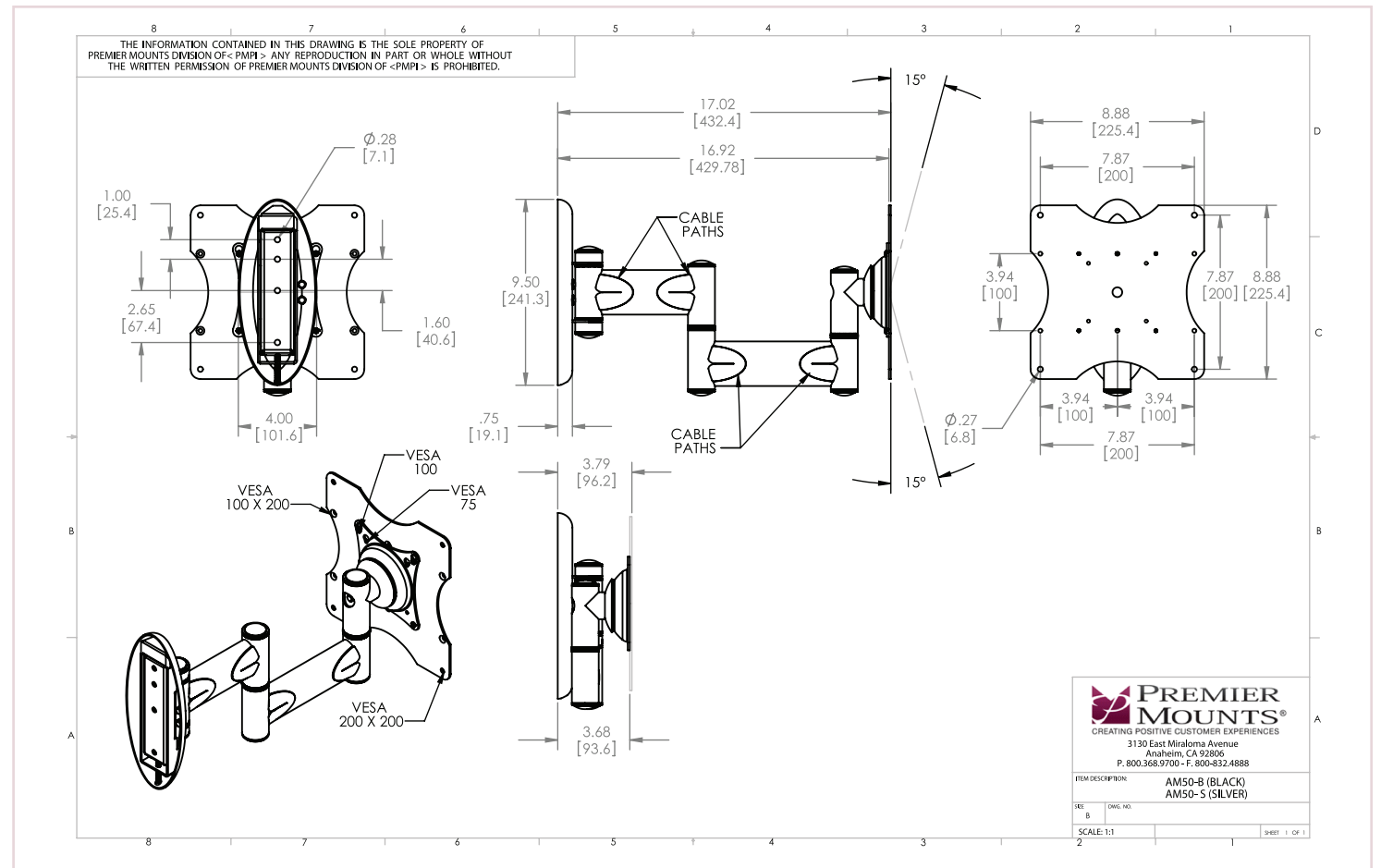
Specifications

Weight 11.1 lb. 5.03 kg	Color Black	Weight Capacity / Mount 50 lb. 22.68 kg	Mounting Pattern 75 x 75 (Min) , 100 x 100 , 200 x 100 , 200 x 200 (Max) mm
Width x Height x Depth 8.88 in. x 8.88 in. x 3.7 in. 225.55 mm x 225.55 mm x 93.98 mm			Warranty Lifetime

Packaging

Width x Height x Depth 10.8 in. (wide) x 5.8 in. (high) x 11 in. (deep) 274.32 mm x 147.32 mm x 279.4 mm	Contents Mount (x1), Universal Hardware Pack (x1), Instruction Manual (x1)
---	--

Architectural Drawing



Specifications subject to change without notice