

F55 Flat Wall Mount

Universal mount For 32-75" displays

Best in Class Flat Wall Mounting Solution

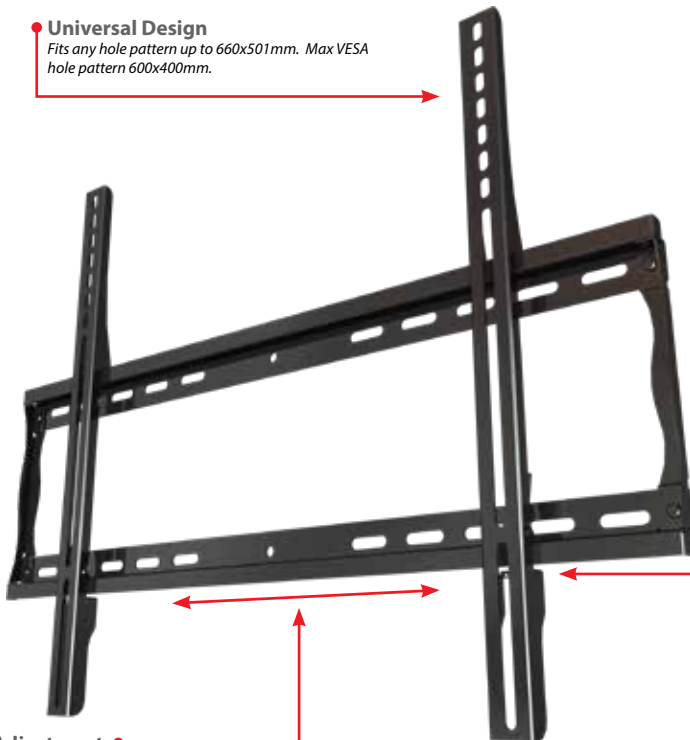
- Universal design
- VESA compatible
- Low-profile, holds display close to wall for a clean look
- Open wall plate allows easy access for wiring
- Lateral shift for perfect placement
- Pre-sorted hardware pack for easy installation to wood studs or concrete surfaces included



SKU	Display Size	Max VESA	Depth	Max Load
F55	32" - 75"	600x400mm	1.4"	200lb

Universal Design

Fits any hole pattern up to 660x501mm. Max VESA hole pattern 600x400mm.



Lateral Adjustment

Lateral adjustment functionality for positioning display in the right spot on the wall.



Low Profile

Low profile design holds display close to wall for a clean professional look.



Pre-Installed Securing Screws

Easy hook and secure installation and pre-assembled securing screws makes installation fast and easy.



Built-in Kickstand

Kickstand holds display away from wall for easy cord installation.



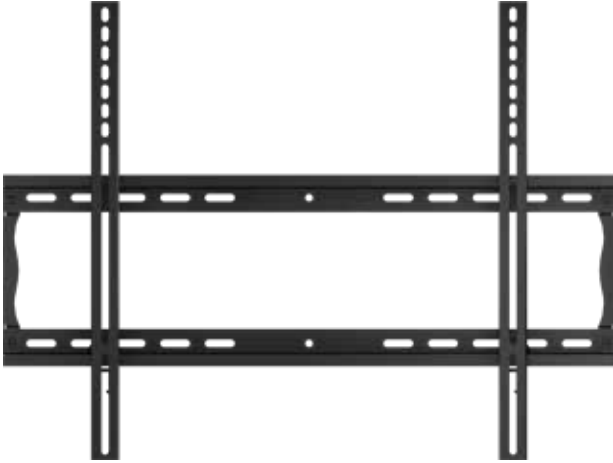
Mounting Hardware

Complete set of display mounting hardware, labeled for ease of use and ready to go.

F55 Flat Wall Mount

Universal flat wall mount for 32-75" displays

1-866-MOUNT-TV
www.crimsonav.com



Attribute	Value
TV size range	32" - 75"
Orientation	Varies with display
Weight capacity	200lb (91kg)
Max mounting pattern	660x502mm
Depth	1.2" (30mm)
Lateral adjustment	Varies with display
Construction	High-grade cold rolled steel
Model Number	F55
Color	Black
Warranty	Limited lifetime
Product Weight	4.4lb (2kg)

Universal flat wall mount for 32" to 75" flat panel displays. Adjustable flat wall mount with Universal hole pattern to fit a wide selection of displays. Makes a secure installation quick and easy, simply hang the display and turn the pre-assembled securing screw to lock in place. Open wall plate design and kickstand feature provides easy access to wiring.

