

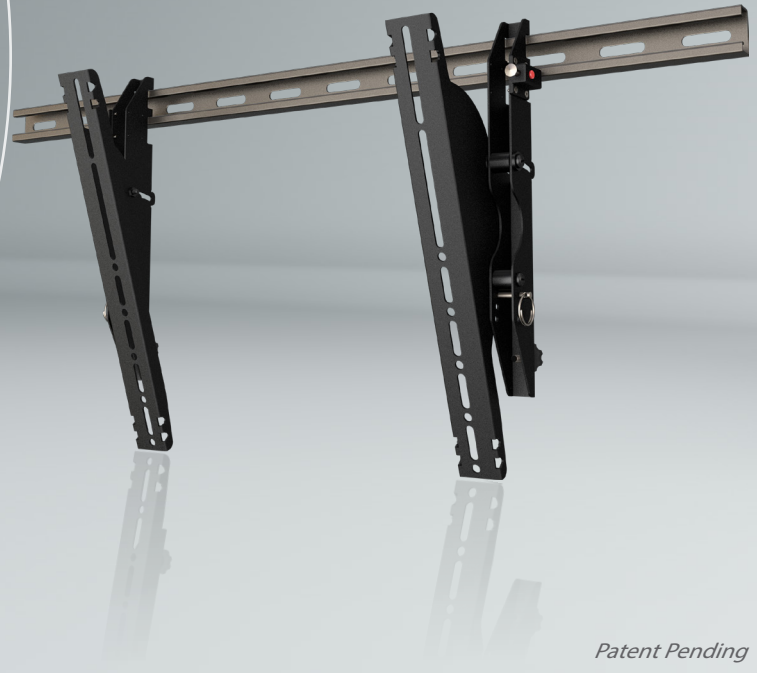
WMLU Wall Mounted Menu Board

Unistrut Menu Board Brackets

for 30" - 65"+ displays

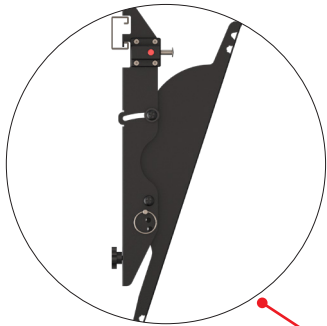
Quick Installation Unistrut Wall Brackets

- Installs directly to single track unistrut in minutes
- No tools needed for alignment
- Easily aligns on uneven surfaces
- 2 different wall brake position points
- Pre-set tilt angles with locking pins
- Supports displays up to 120lbs
- One-touch lock and release mechanism



Patent Pending

| Model | TV Size | VESA | Depth | Max Load |
|-------|-----------|------------|-------|----------|
| WMLU | 30" - 65" | 1000x400mm | 2.90" | 120 lb |



TILT ADJUSTMENT

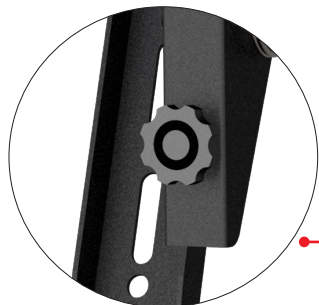
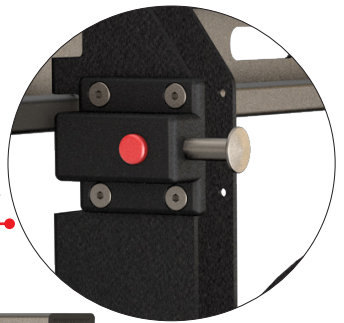
Up to +18° / 0° Tilt

Tilt function allows menu boards to tilt up to +18° forward for ideal screen viewing

ONE TOUCH LOCK

Secure and Release with One Touch

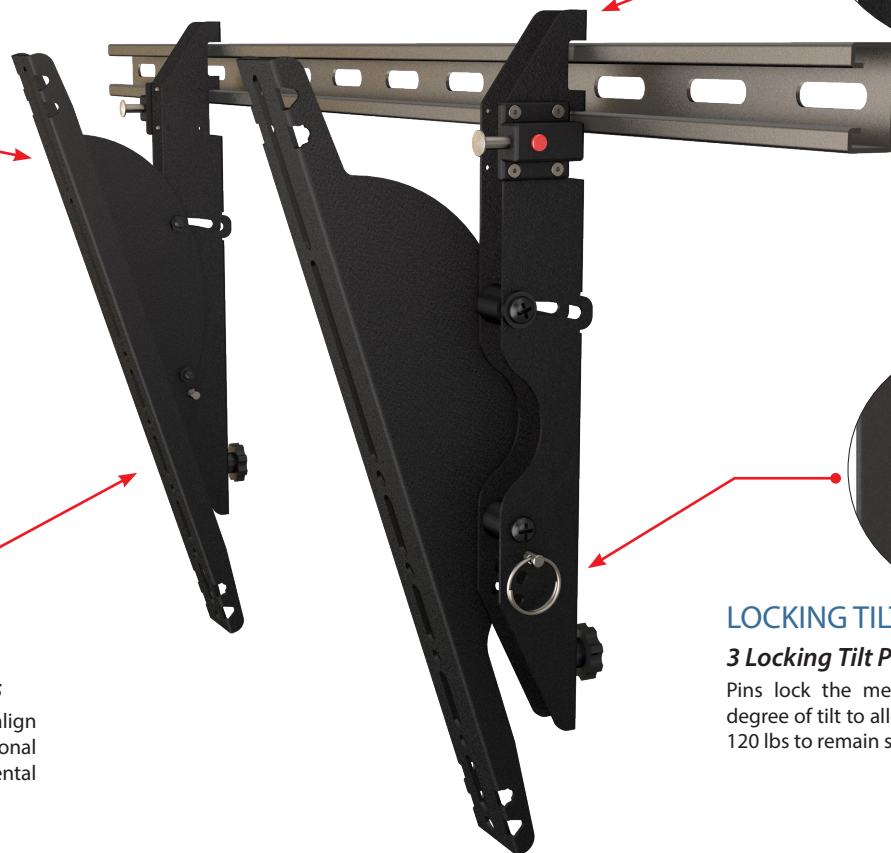
Quick release-and-engage mechanisms secure the mount with one touch and keep the display locked in place.



TOOL-FREE ADJUSTMENT

Micro-adjustments Without Tools

Large, easy to reach knobs allow you to align the displays without the need for additional tools, and allow for minute incremental adjustments.



LOCKING TILT PINS

3 Locking Tilt Points

Pins lock the menu board in the selected degree of tilt to allow for heavy displays up to 120 lbs to remain securely in alignment.

WMLU Unistrut Menu Board System

For Wall Mounted Unistrut Configurations

1-866-MOUNT-TV
www.crimsonav.com

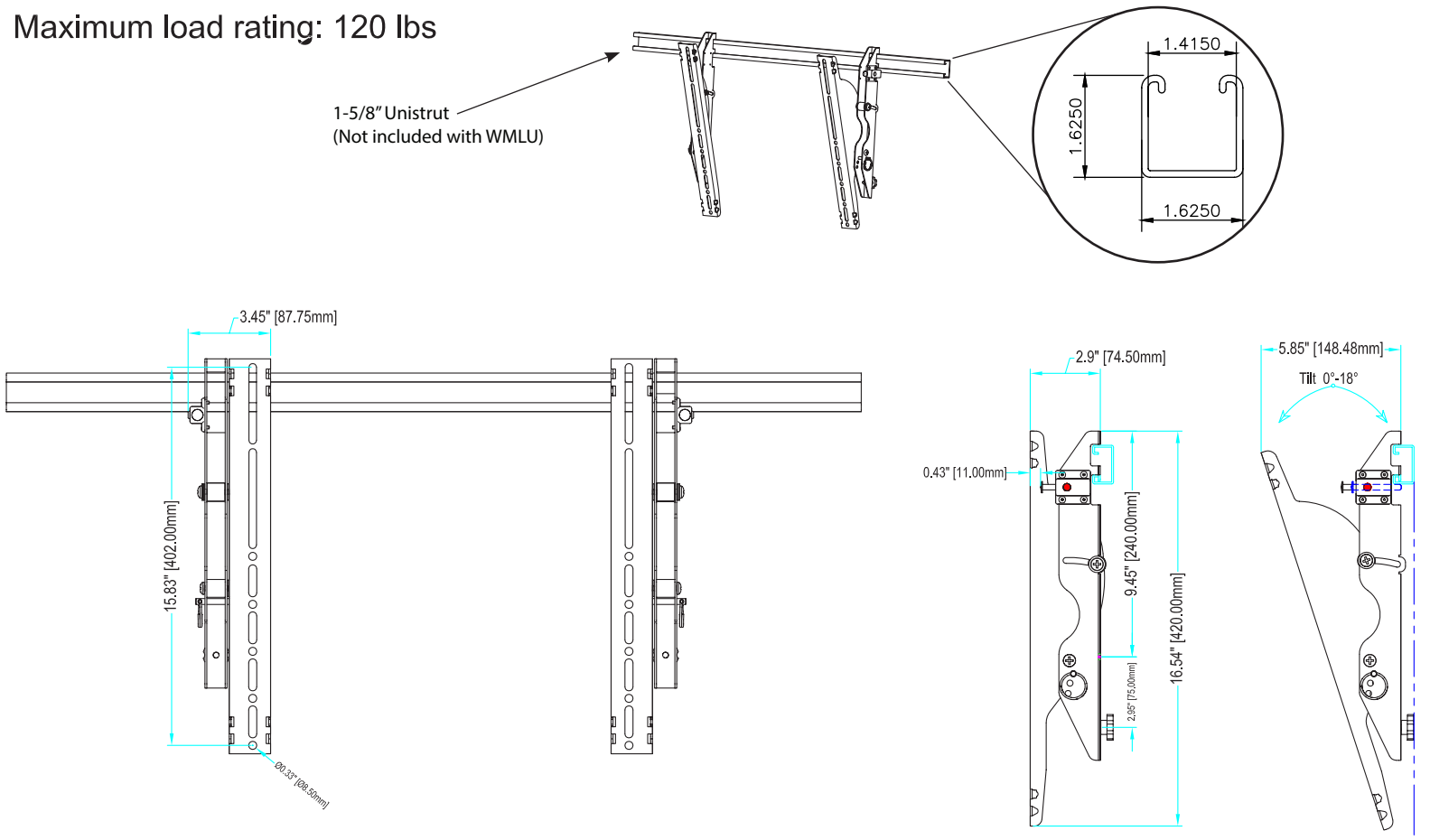
for 30" - 65"+ displays



The WMLU menu board flat panel display brackets provide an elegant solution to wall mounted unistrut applications. These brackets mount directly to 1-5/8" unistrut channels, allowing for fast and simple display installation. Plumb adjustment is achieved without the use of tools, ideal for situations involving uneven walls. Quick release locks engage and release with a single push and ensure a secure installation. Up to 18° of tilt allows for a variety of screen positioning for the perfect viewing angle. Supporting displays weighing up to 120lbs with VESA patterns of up to 400mm high, these are an ideal solution whenever an installation to a unistrut mounting surface is required.

| Attribute | Value |
|----------------------------|-------------------------------------|
| TV size range | 30" - 65"+ |
| Weight capacity | 120lb (54kg) per display |
| Max mounting pattern | 401mm high |
| Orientation | landscape or portrait |
| Displays per configuration | unlimited |
| Tilt | +18°/-0° |
| Depth from wall | 2.90" (74.50mm) |
| Depth Adjustment | ±0.51" |
| Lateral adjustment | varies with screen |
| Mounting surface | 1 - 5/8" unistrut channel |
| Construction | high-grade cold rolled steel |
| Product finish | scratch resistant epoxy powder coat |
| Color | black |
| Model number | WMLU |
| Warranty | 10 years |

Maximum load rating: 120 lbs



Patent Pending