



\* 65 inch (65EP5G)



\* All images are for illustrative purposes only.

## LG UltraFine Display OLED Pro 65EP5G

# Versatile OLED with Accurate Color, Customized to Suit Your Needs



reddot winner 2021



Enhance your workplace with LG's 65EP5G OLED professional monitor that has been developed to meet a variety of use cases and workflows in content production, post-production and distribution. 65EP5G builds upon the capabilities of LG's OLED displays recognized by a Technology and Engineering Emmy® award and incorporates additional features and functionality to meet the needs of professionals.



**OLED Performance**  
- Predictable Images  
- Color Accuracy : DeltaE<2



**Self Emissive Pixels**  
- Maximum Local Contrast



**Advanced Video Formats**  
- HDR-10, HLG, etc.



**Hardware Level Calibration**  
Multiple 1D, 3D LUTs



\* Image shown is for illustrative purpose only.

## Accurate Color with a Wide OLED Screen

Advanced Calibration functionality allows the display to achieve reference performance for picture quality enabled by LG's proprietary software (SuperSign for White Balance) and color accuracy & uniformity via CalMAN. It supports programmable hardware 1D & 3D LUTs and multiple color-accurate profiles for rapid transitioning between calibrated modes. On top of that, 65EP5G helps protect colorists' eyes from blue light, as it has been certified to meet EYESAFE standards for quality and safety for the user's eye health.



\* Image shown is for illustrative purpose only.

## Diverse I/O Interfaces

A variety of input interfaces are provided including HDMI and SDI In/Out with BNC, and also it supports SDI over IP via SFP+ case with a SFP module. Also included interface is a Genlock input for use in broadcast and virtual production applications.



\* Image shown is for illustrative purpose only.

## Convenience and Functionality

The control panel provides shortcuts to frequently used functions and profiles featuring different monitor settings and picture quality options. Also, a variety of user selectable on-screen features are available such as Markers, Zoom, Audio Level Meters, and Waveform & Vector Scopes.

# PRODUCT INFORMATION

\* 65 inch



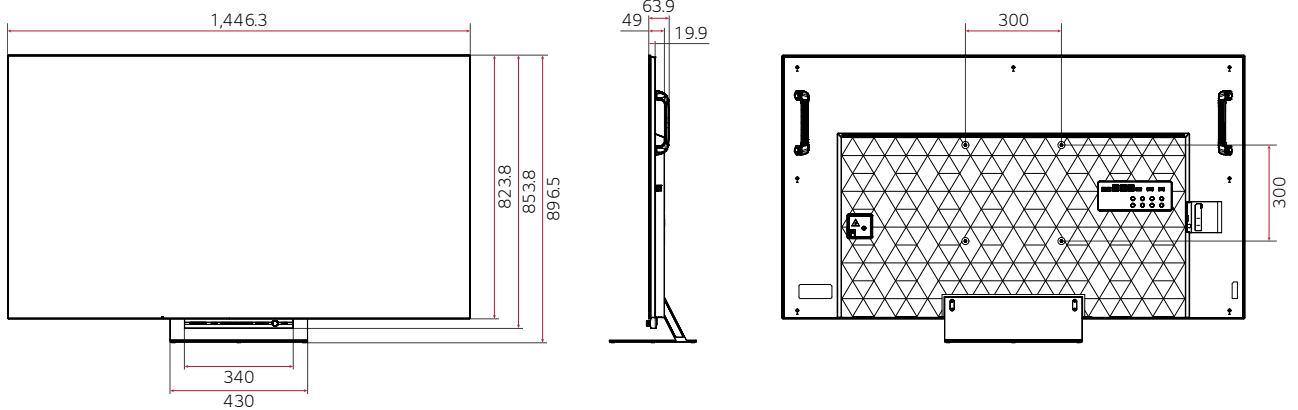
## 65EP5G

|                    |   |
|--------------------|---|
| Design Type        | Desktop Stand<br>(Rear: Handles, VESA Mount Capable)  |
| Panel / Resolution | OLED / 3,840 × 2,160 (UHD)  |
| Brightness (Typ.)  | 950 / 850 / 450 / 175 @D65<br>(APL 3% / 10% / 25% / 100%)   |
| Calibration        | Programmable 1D/3D Hardware LUTs,<br>LG SuperSign Software (White Balance)<br>(* Uniformity to EBU Grade 1 level, CalMAN-Ready) |
| Connectivity       | SDI, SFP+, HDMI, Audio Output, LAN, Remote In/Out,<br>USB, RS-232C, REF In (Gen-Lock), Others                                   |
| Functions          | Marker, Audio Level Meter, Waveform/Vector Scope,<br>Remote IP Control App, etc.  |

## DIMENSION

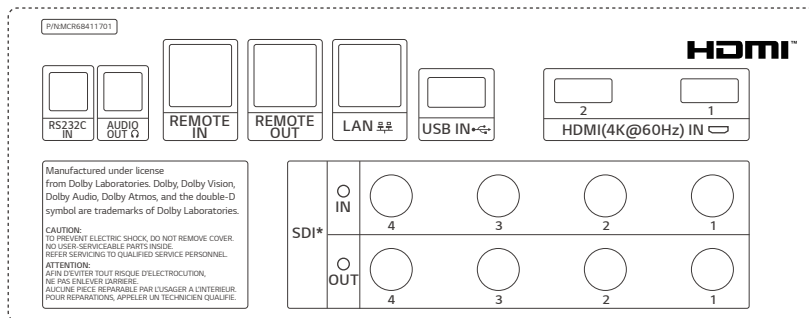
(unit: mm)

65"



## CONNECTIVITY

Rear



Side



\* SDI Supporting Resolution : 1) Single Link : SD/HD/3G/6G/12G, 2) Dual Link : HD/3G\_4K, 4) Quad Link : HD\_4K/3G\_4K  
 \* Dimensions & Jack Panels may differ from the above image, so please contact LG sales team to verify before ordering.