

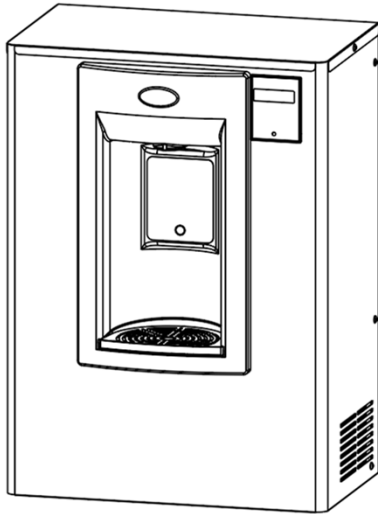
NNEBFEZ

Cooler to Bottle Filler Conversion Kit for ELKAY EZ8 and LZ8
Water Coolers

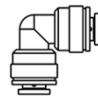
INSTALLATION INSTRUCTIONS

Section 1: Getting Started

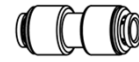
What's Included:



Assembled NNEBFEZ
Cabinet



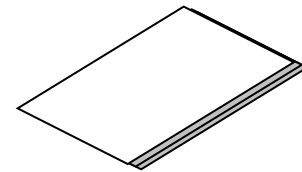
1/4" Elbow



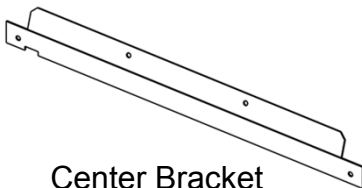
1/4" Union



10" of 1/4" OD plastic
tubing with 9" of tubing
insulation



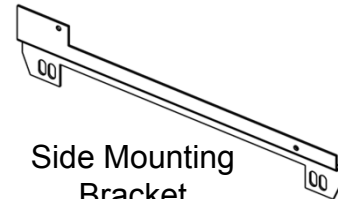
Installation
instructions



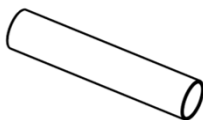
Center Bracket



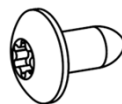
Drain Elbow
x2



Side Mounting
Bracket
x2



Drainpipe
x2



#8 Torx Screws
x12



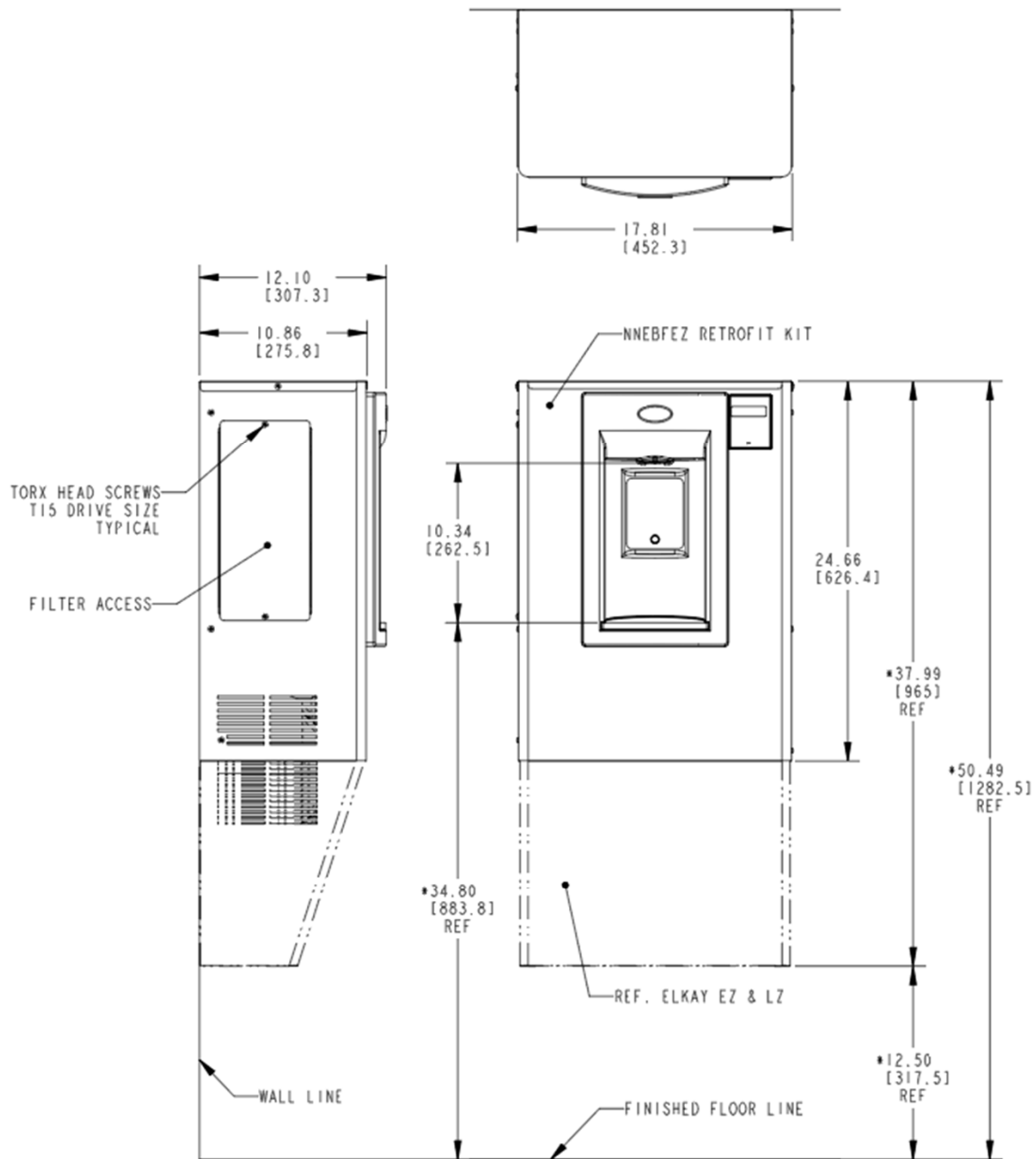
#10 Hex Screws
x6

Tools & Hardware Required:

- Electric drill/driver
- Small tubing cutter for plastic line
- 5/16" nut driver
- 1/4" nut driver
- Means to cut 1 1/4" drain pipe
- T15 Torx screwdriver and bit
- T20 Torx screwdriver and bit
- 4 appropriate anchors (not supplied)

Section 2: Rough In Drawing

NNEBFEZ:



NOTES:

1. *DIMENSIONS ARE REFERENCE ONLY.
2. ALL DIMENSIONS ARE IN INCHES.
DIMENSIONS IN BRACKETS [] ARE IN MILLIMETERS.

PREPARATION

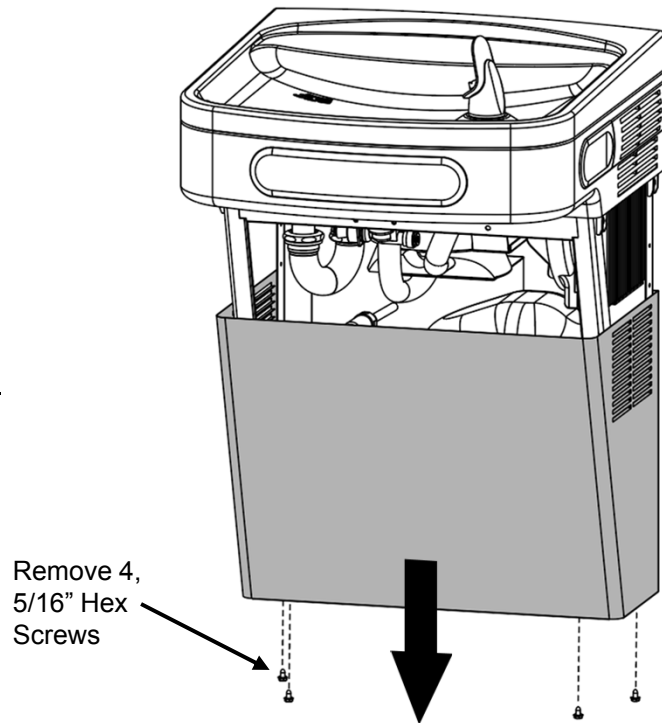
- **Disassembly of ELKAY Cooler**
- **Wiring**
- **Water Lines**

Section 3: Preparation

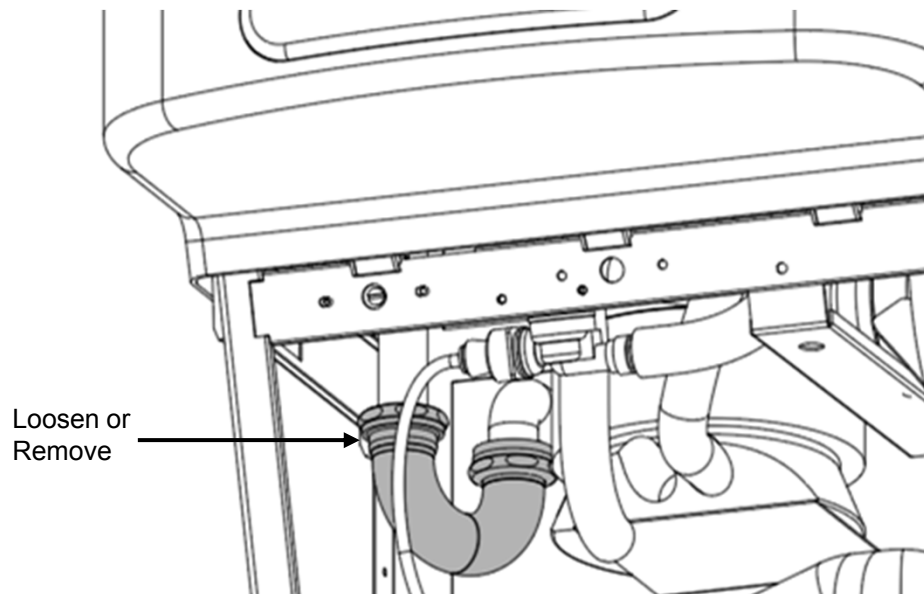
1. Remove fountain wrapper.

2. Turn OFF water supply to the unit.
Bleed any remaining pressure from the lines by activating the bubbler valve.

3. Disconnect power by UNPLUGGING the unit.

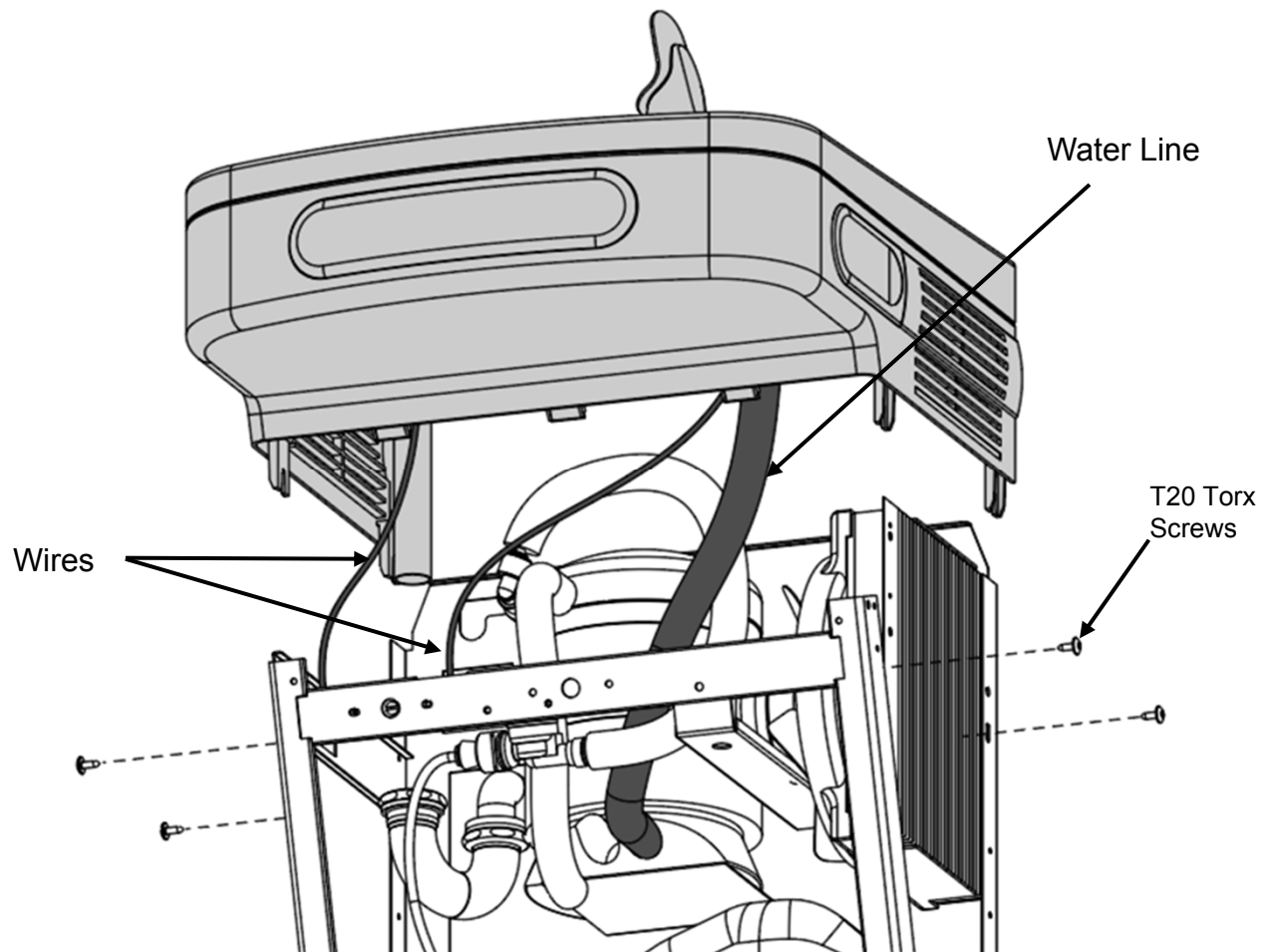


4. Loosen or remove the P-trap so that the fountain nose assembly may be freely removed in the next step.



Section 3A: Preparation

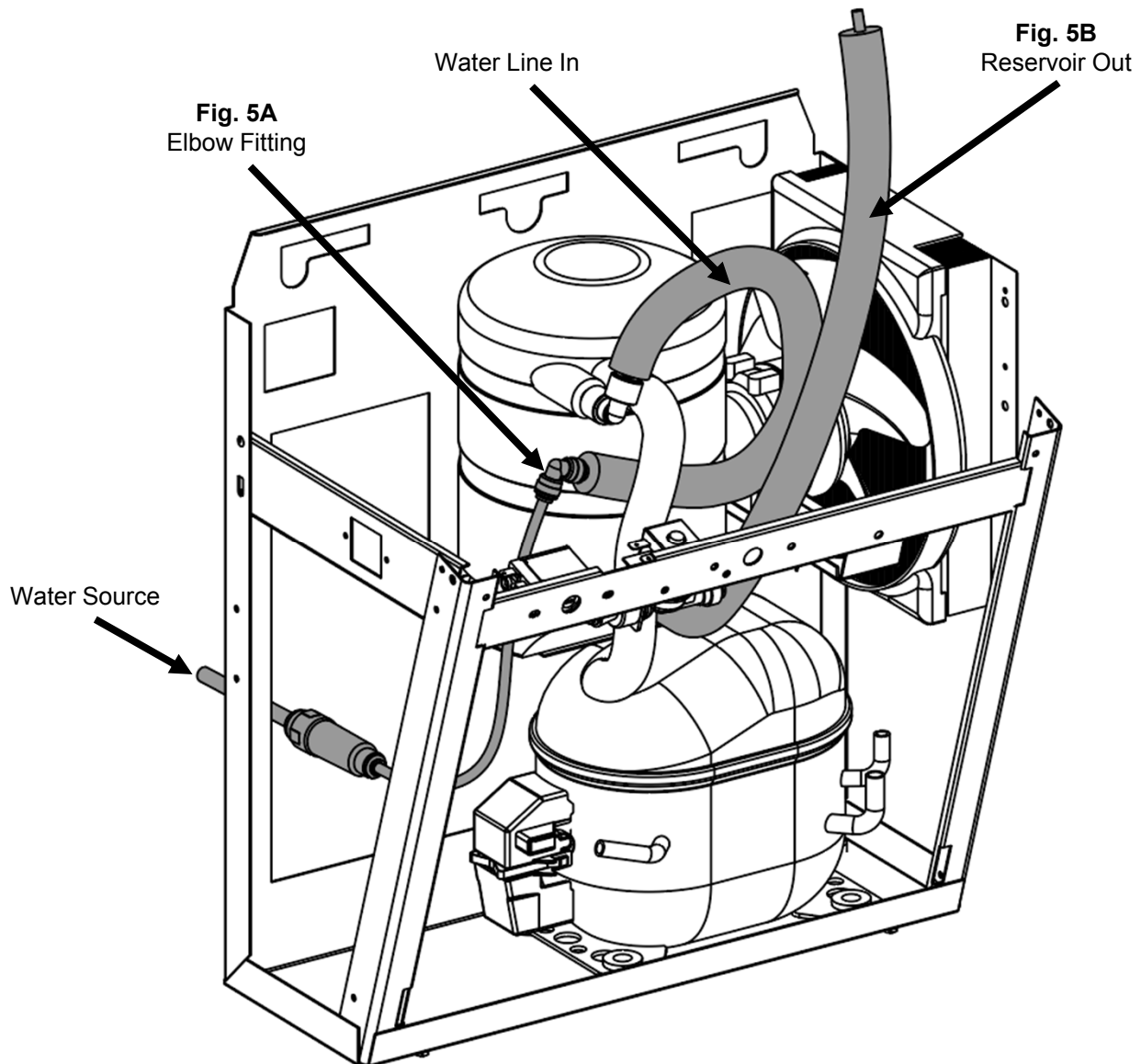
5. Remove fountain nose assembly. **Tool Needed: T20 Torx bit**
 - A. Remove 4, #10 Torx screws from the fountain.
 - B. Disconnect the wires coming out of the nose assembly from the solenoid and cold control.
 - C. Disconnect the water line from the bubbler inside the nose. **DO NOT** disconnect from the fountain.



Section 3A: Preparation

7. Locate the solenoid valve on the Elkay unit. Disconnect both water lines from the solenoid valve. Join the two water lines together using a $\frac{1}{4}$ " elbow fitting (provided) (Fig. 5A).

Allow the cooling tank water outlet line to extend freely upward (Fig. 5B).



Shown above is the correct final orientation

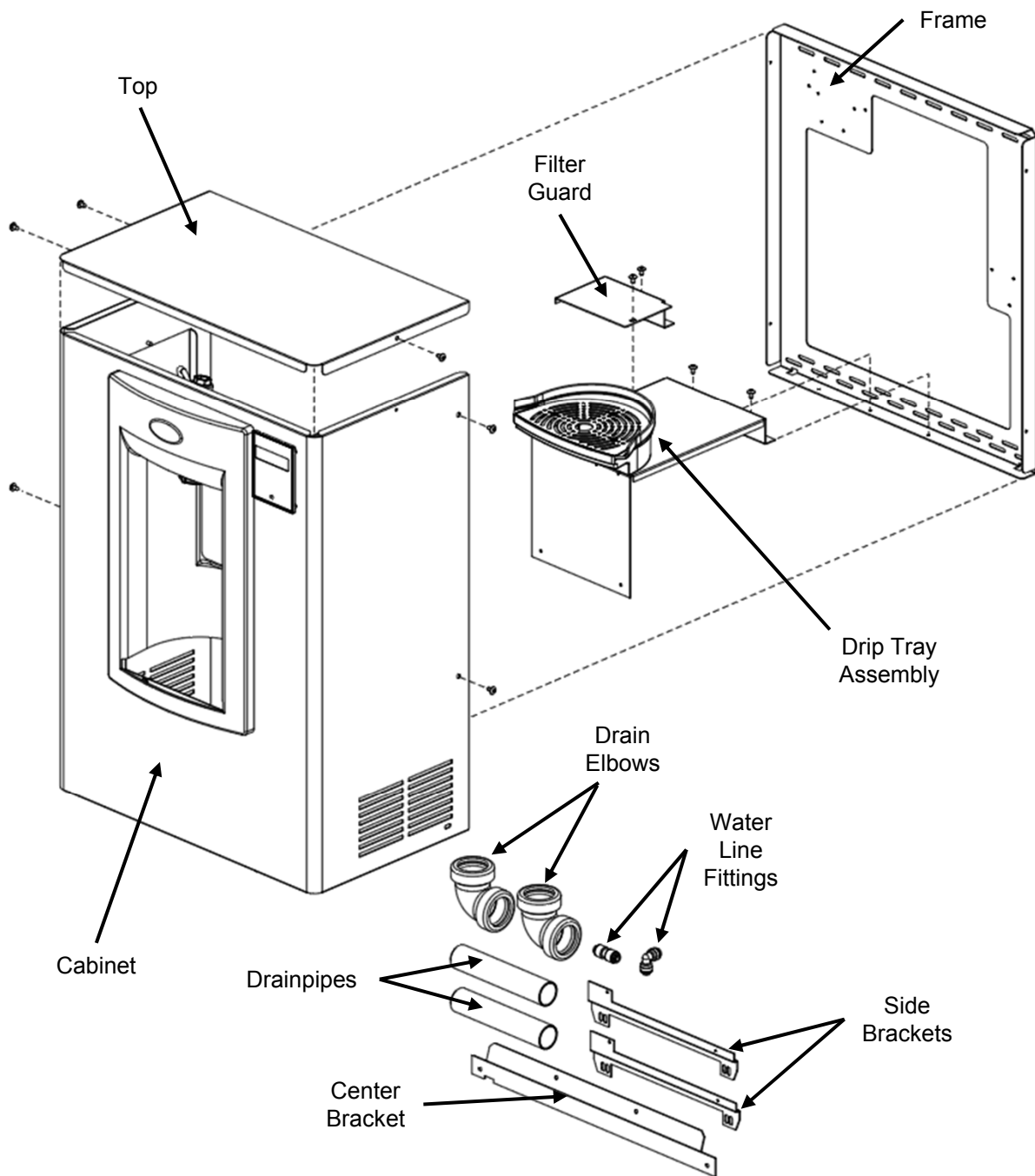
INSTALLATION

- **Assembly of NNEBFEZ Cabinet**
- **Wiring**
- **Plumbing**

Section 4: Installation

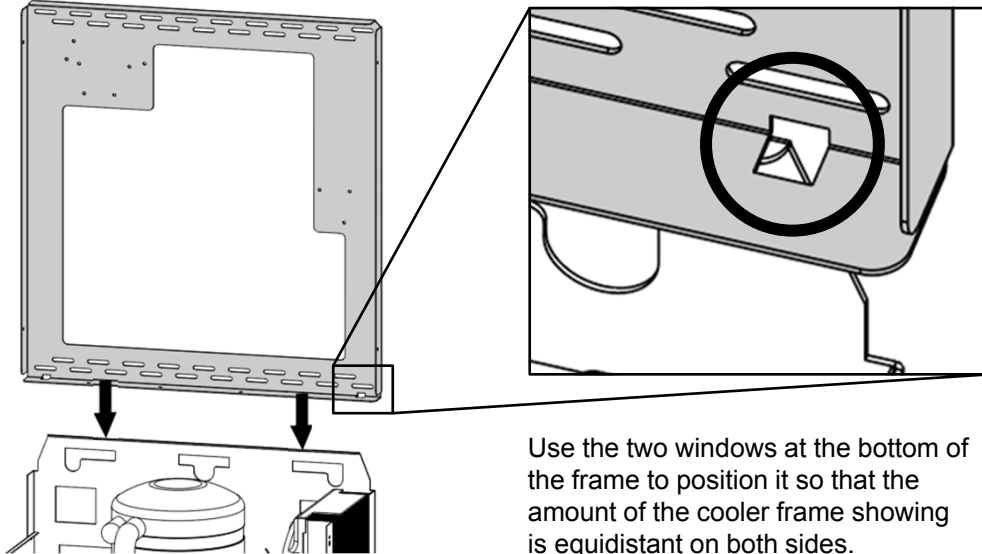
1. The NNEBFEZ comes partially assembled for shipping. Remove the kit from the packaging and separate it into the assemblies and components shown below.

Tool Needed: T15 Torx bit

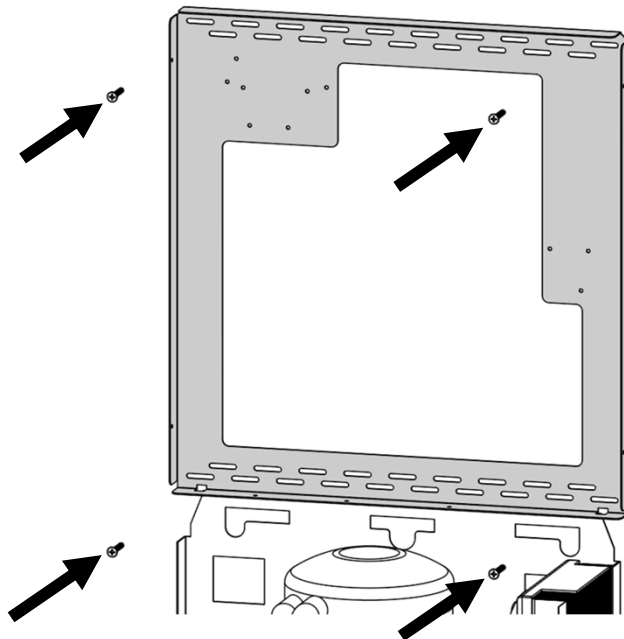


Section 4: Installation

1. Without taking the cooler off the wall, place the retrofit frame against the wall and set it onto the top flange of the cooler frame.



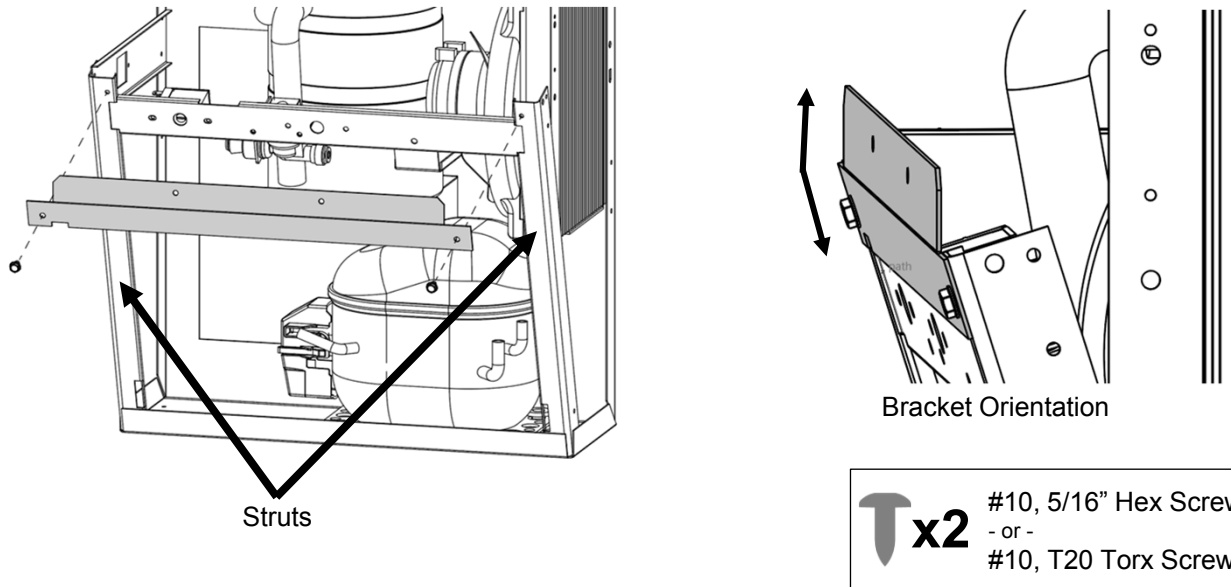
2. Affix the frame to the wall with at least 4 screws into any appropriate anchor points through the staggered slotted holes. **Be careful to ensure the frame stays centered on the cooler frame.**



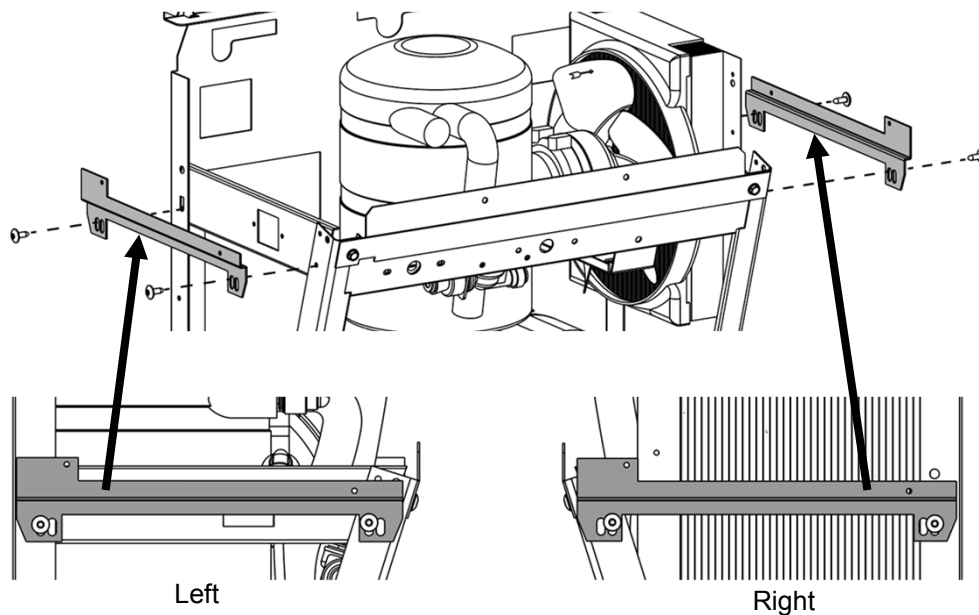
T x4 Not Provided. Use appropriate screws for mounting surface.

Section 4: Installation

3. Assemble the center bracket to the holes in each of the cooler struts.



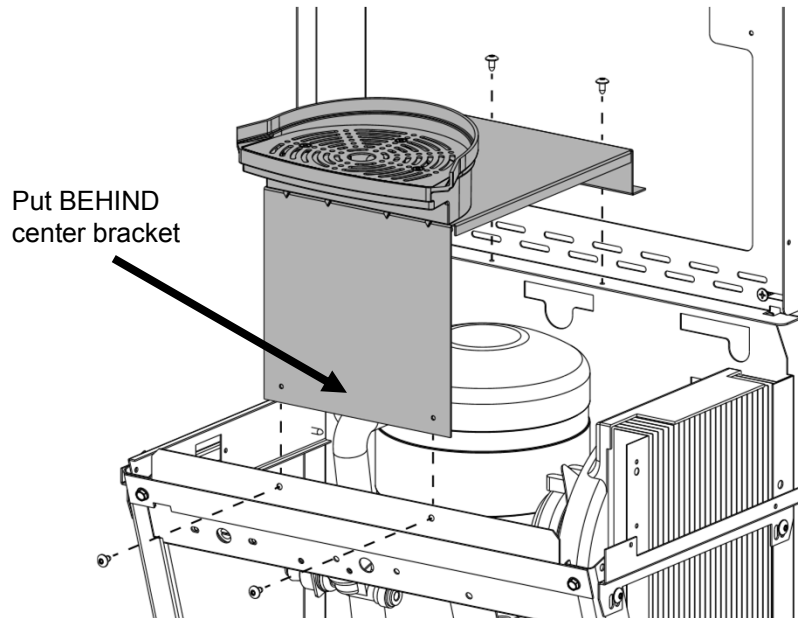
4. Assemble the two side brackets to the cooler frame using the slotted holes on the bottom with two #10 screws for each bracket. Ensure that the brackets are oriented as shown below.



Tx2 #10, 5/16" Hex Screws (each bracket)
- or -
#10, T20 Torx Screws (each bracket)

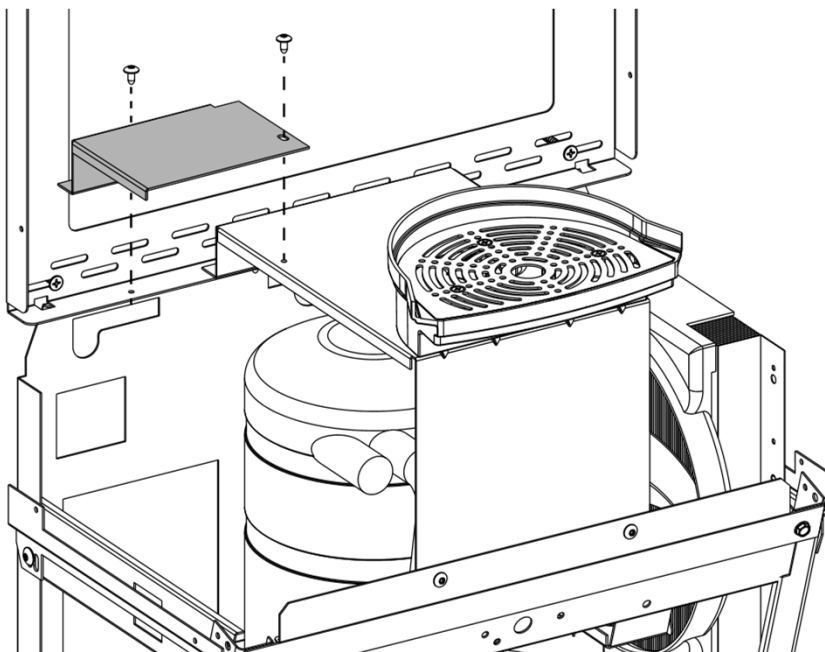
Section 4: Installation

5. Install the drip tray support bracket (keep drip tray pre-assembled) to the center bracket and frame using four, #8 Torx screws which are provided in the kit.



T x4 #8, T15 Torx Screws

6. Attach the filter guard bracket with two, #8 Torx screws to the frame and drip tray support bracket. This bracket helps to prevent the filter cartridge from falling into the cooler unit below during installation or replacement.

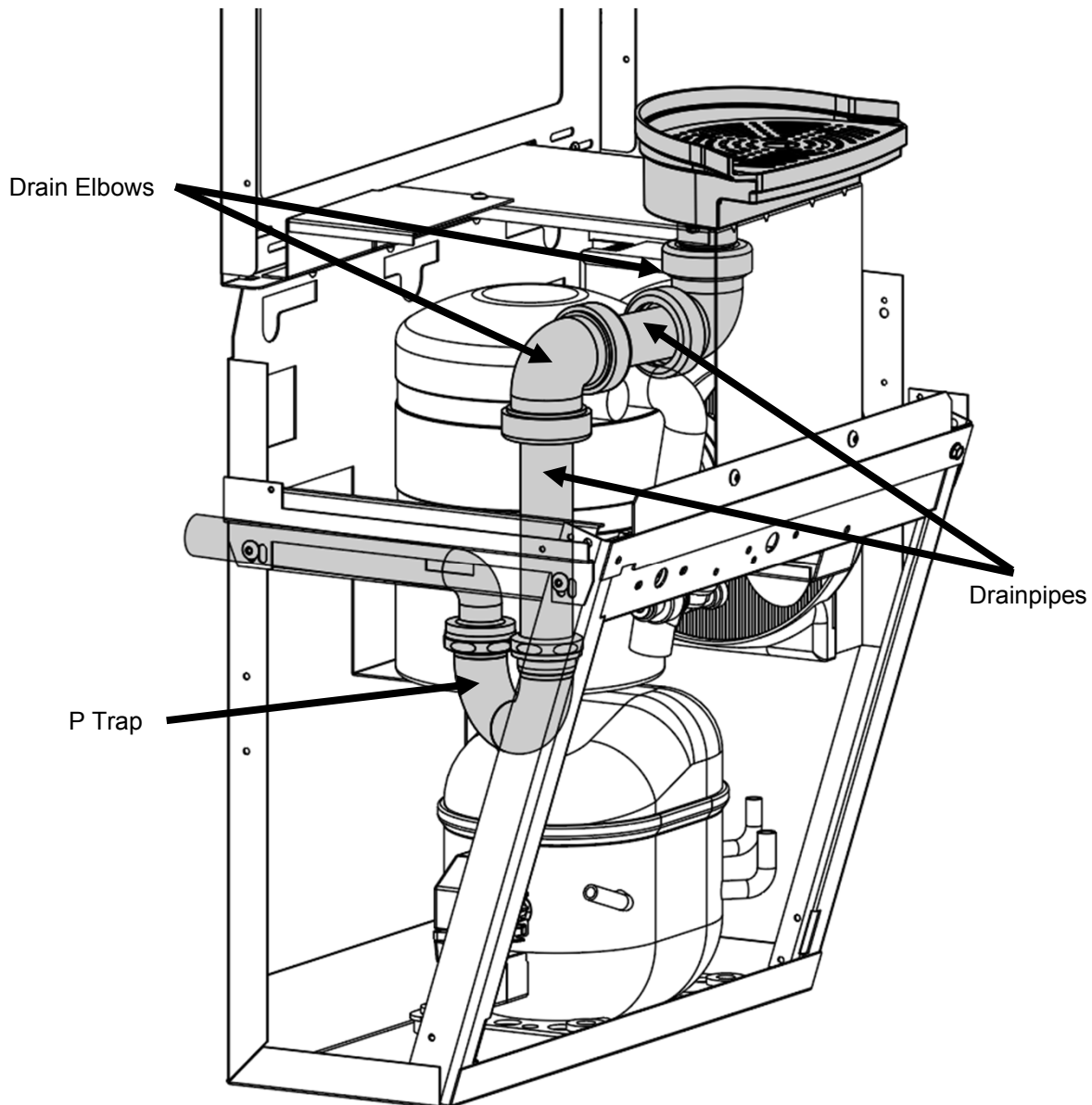


T x2 #8, T15 Torx Screws

Section 4: Installation

7. Attach one of the drain elbows to the drip tray stem. Insert the drainpipe provided into the elbow and then attach another elbow onto the pipe. Use the remaining drainpipe and connect the drip tray drainage system to the installed P-trap.

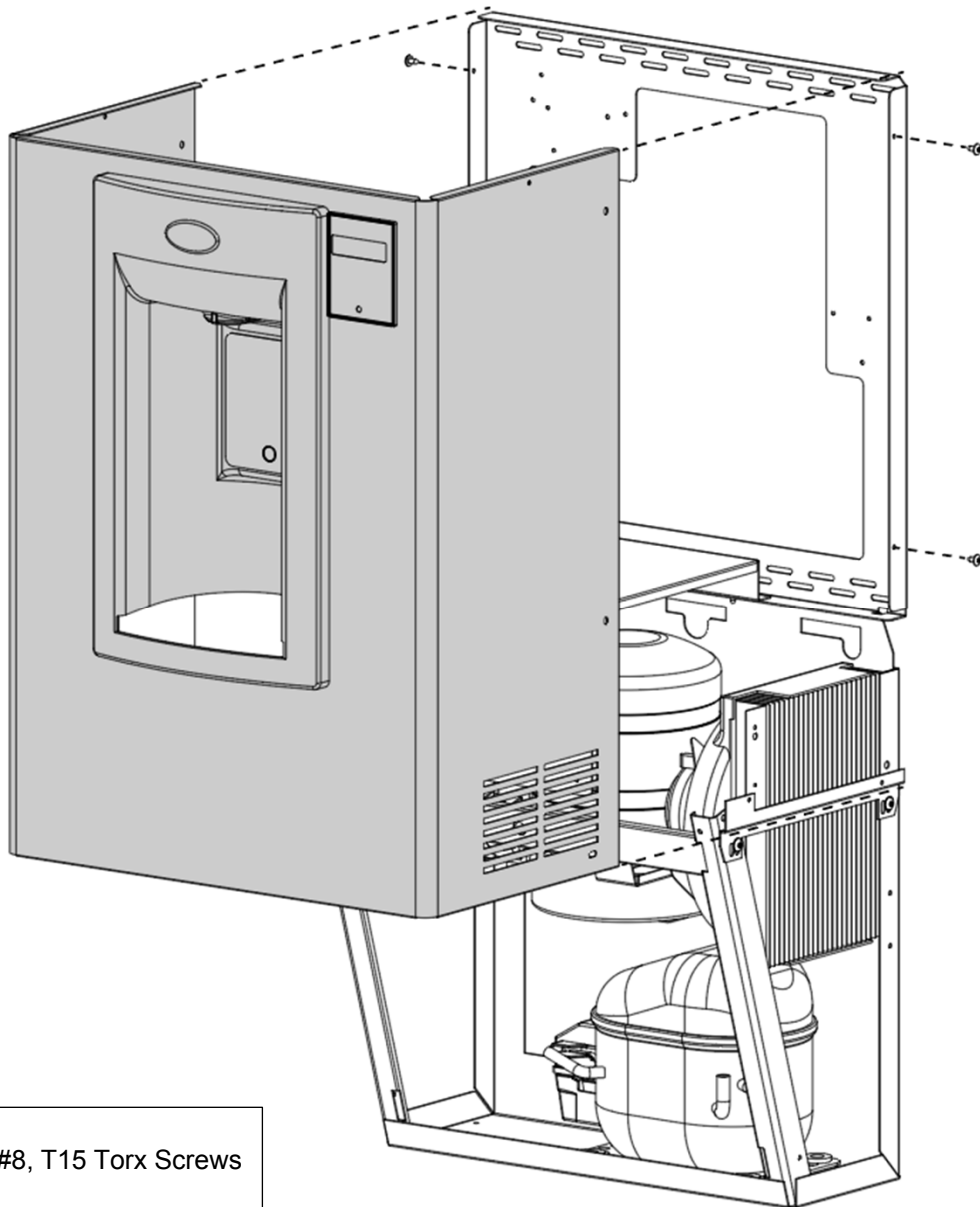
NOTE: Drainpipes will need to be positioned and cut to length as needed.



Section 4: Installation

8. Assemble NNEBFEZ wrapper to the installed frame. Rest the alcove on the drip tray and ensure the wrapper walls rest OUTSIDE of the frame and side brackets.

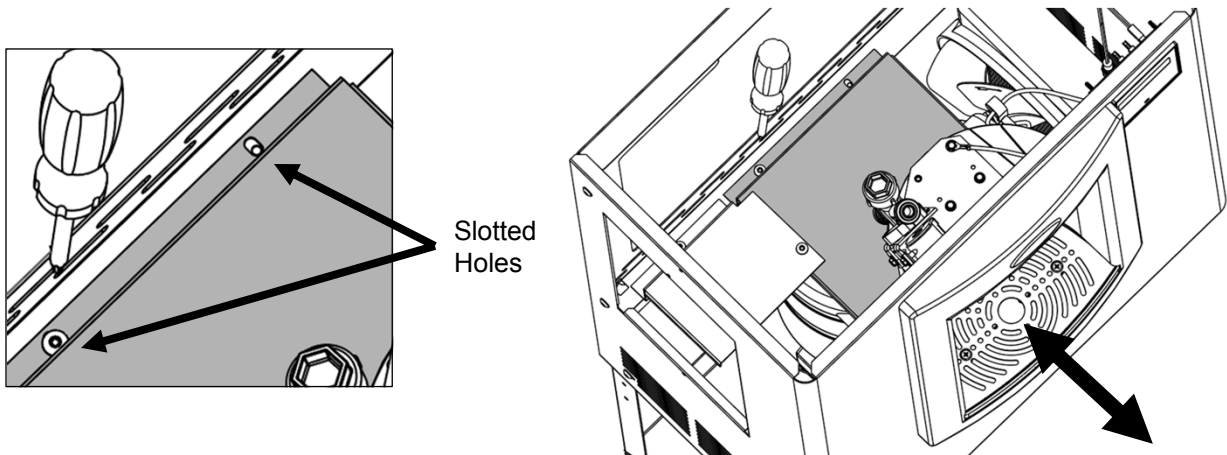
NOTE: The drip tray will hold the weight of the wrapper but it is recommended to keep a hold on the unit during installation for safety.



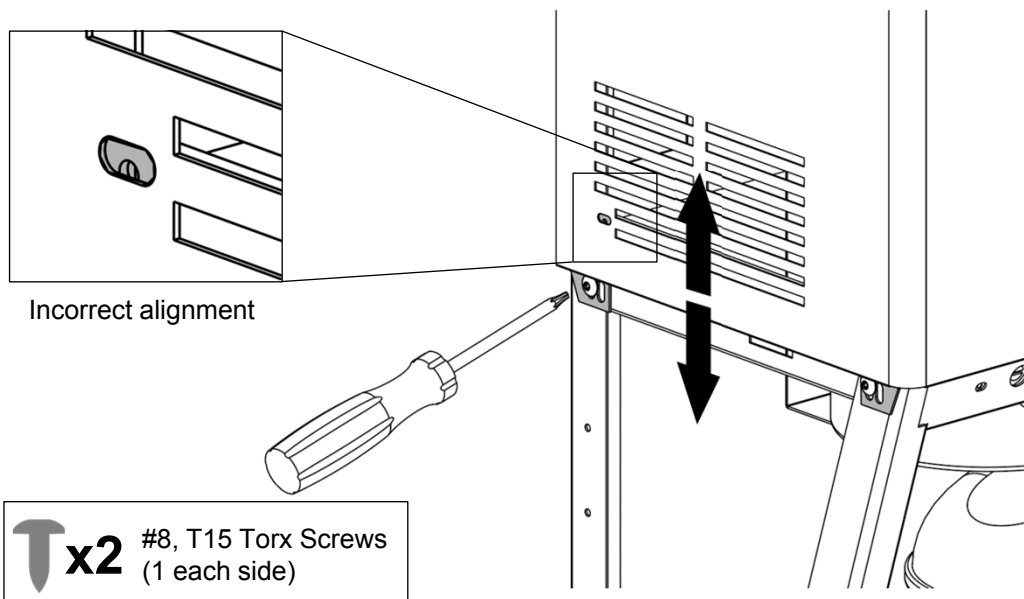
Tx4 #8, T15 Torx Screws

Section 4: Installation

9. If the outer edge of the drip tray is not properly aligned, loosen the screws on the back of the drip tray support bracket and slide the bracket forward or backward as needed. Then retighten the screws.

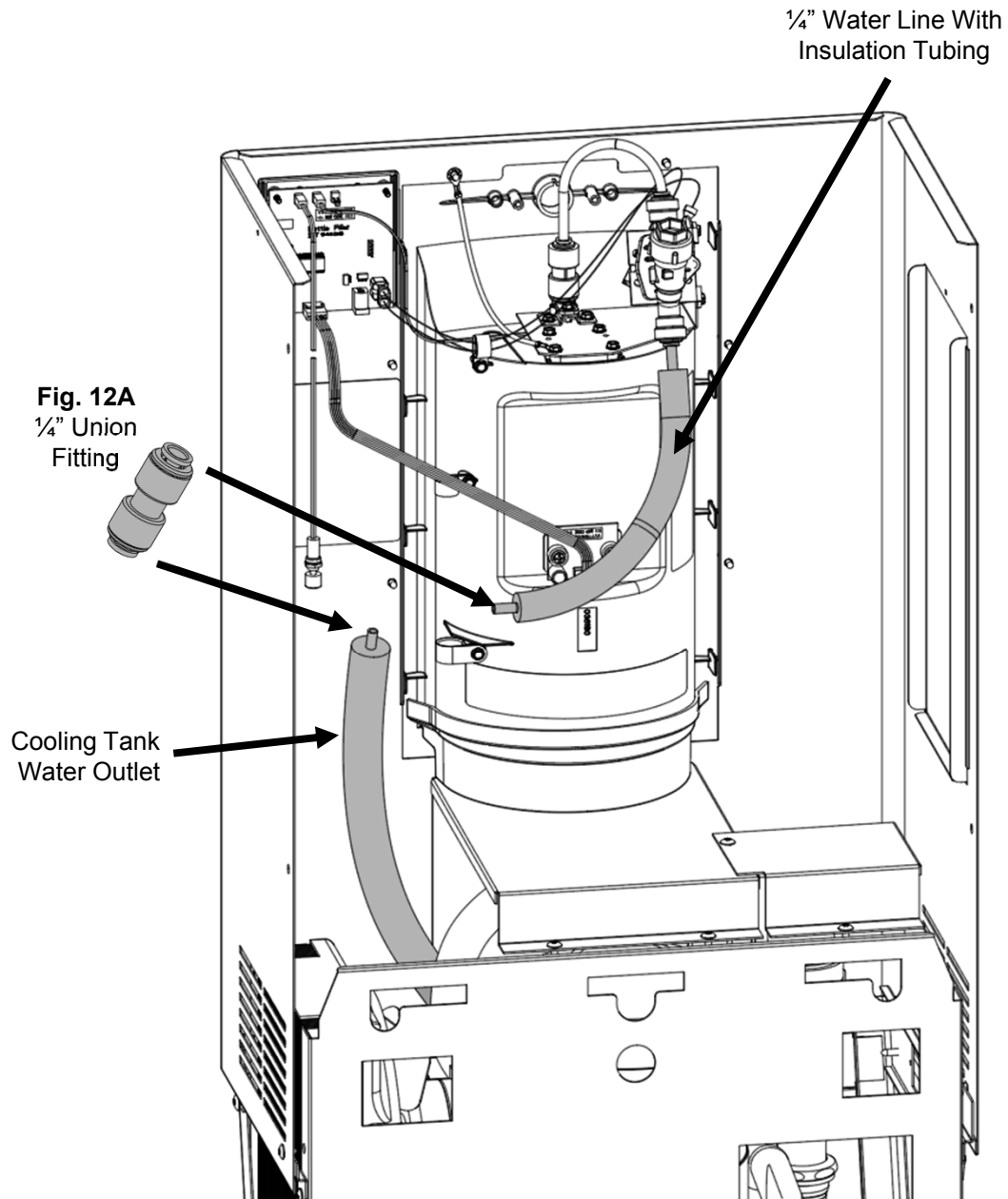


10. Once the wrapper has been installed, loosen the side bracket mounting screws until the bracket can be slid up and down. Adjust the bracket until the mounting hole screws through the slot and then drive in one of the #8 Torx screws and then tighten the two #10 mounting screws.



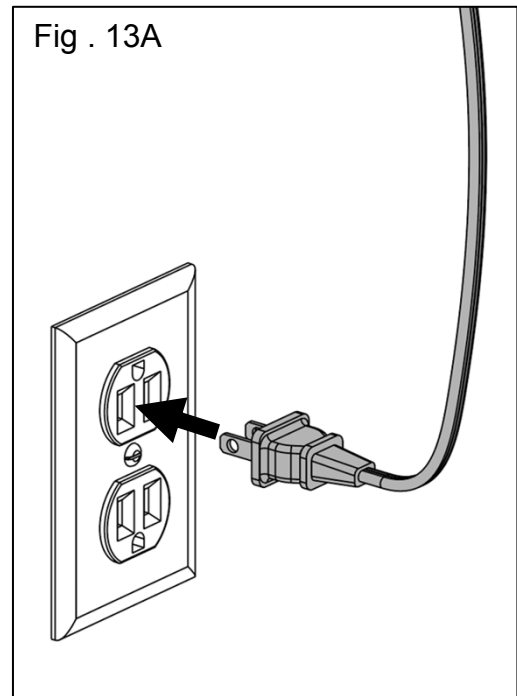
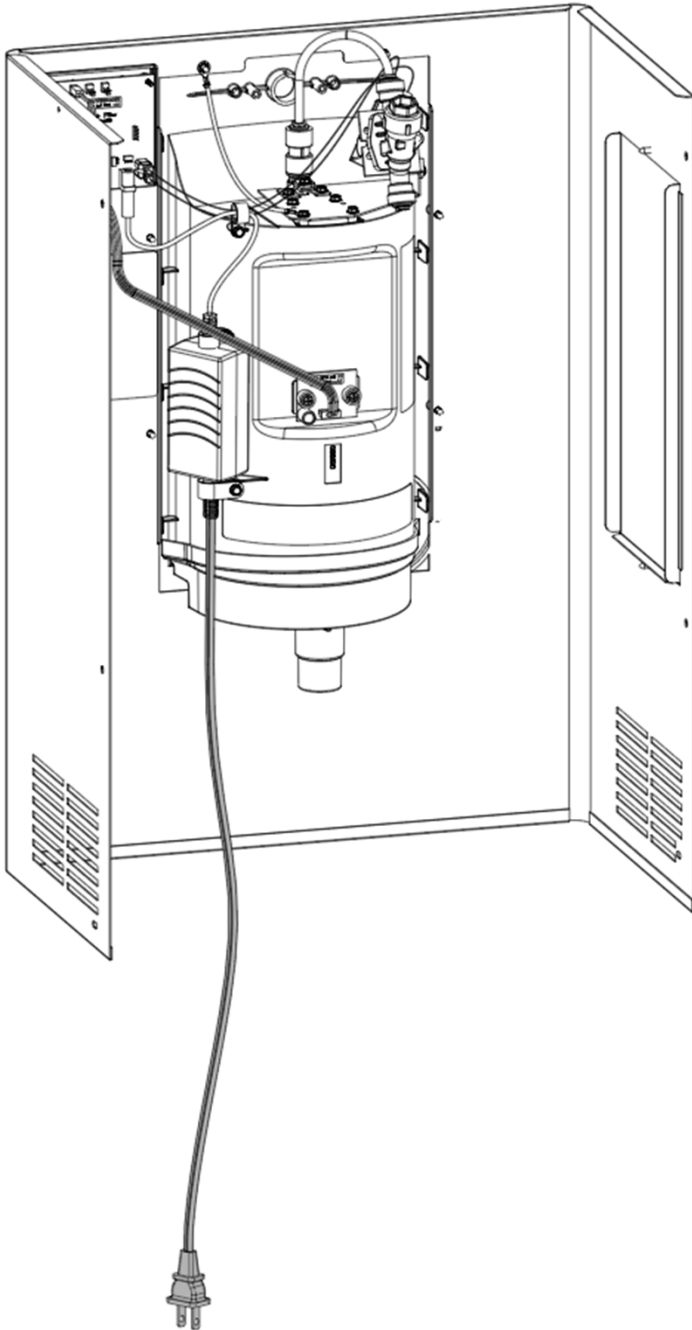
Section 4: Installation

11. Attach the $\frac{1}{4}$ " union fitting to the Cooling Tank water outlet line (Fig 12A).
12. Attach one end of the provided $\frac{1}{4}$ " water line with insulation tubing to the solenoid valve located on the alcove, and the other end to the $\frac{1}{4}$ " union fitting. Cut provided water line and insulation tubing as needed.



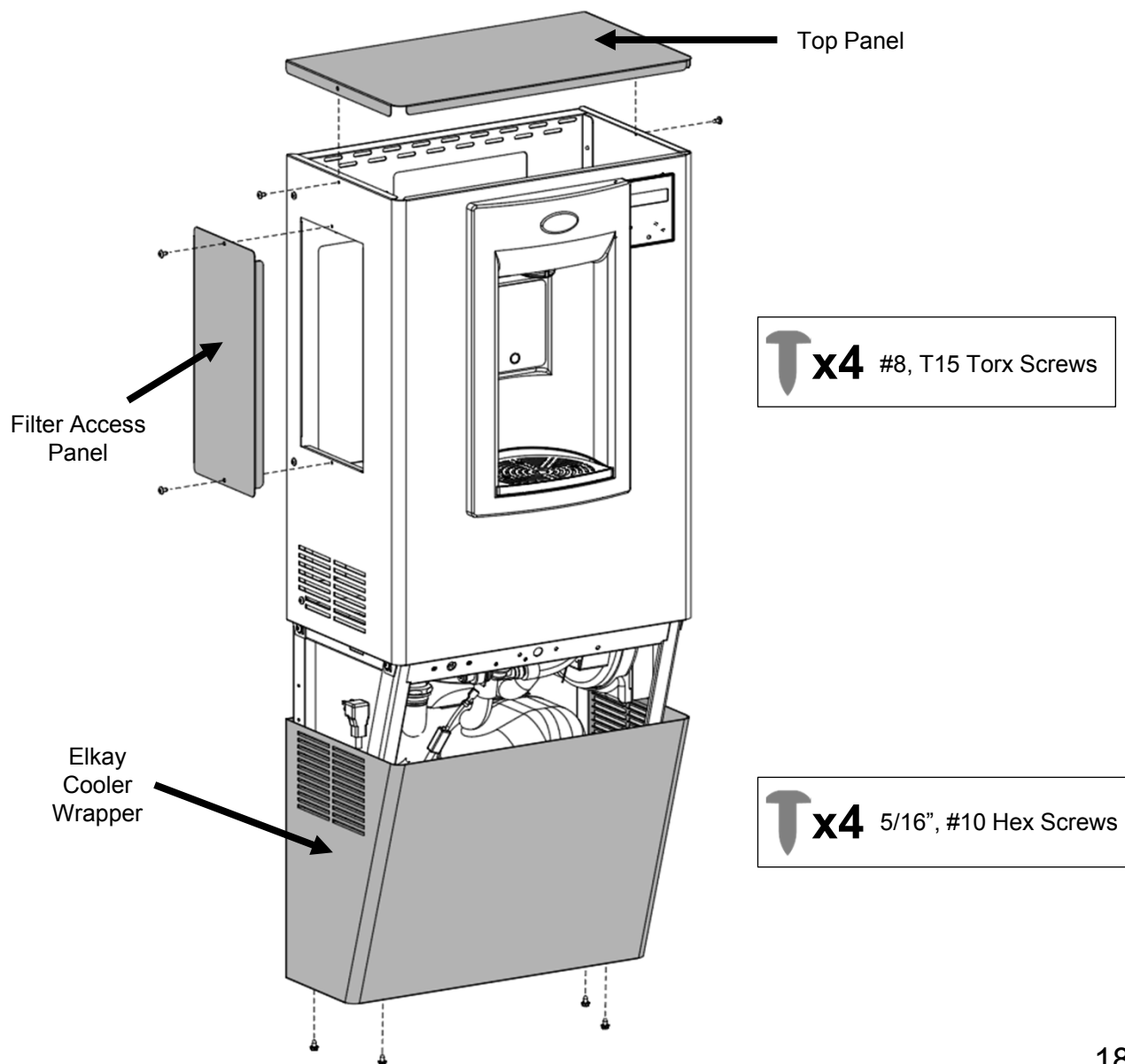
Section 4: Installation

13. Guide the power cord down to the lower portion of the cooler and plug it into the duplex socket. (Fig 13A).

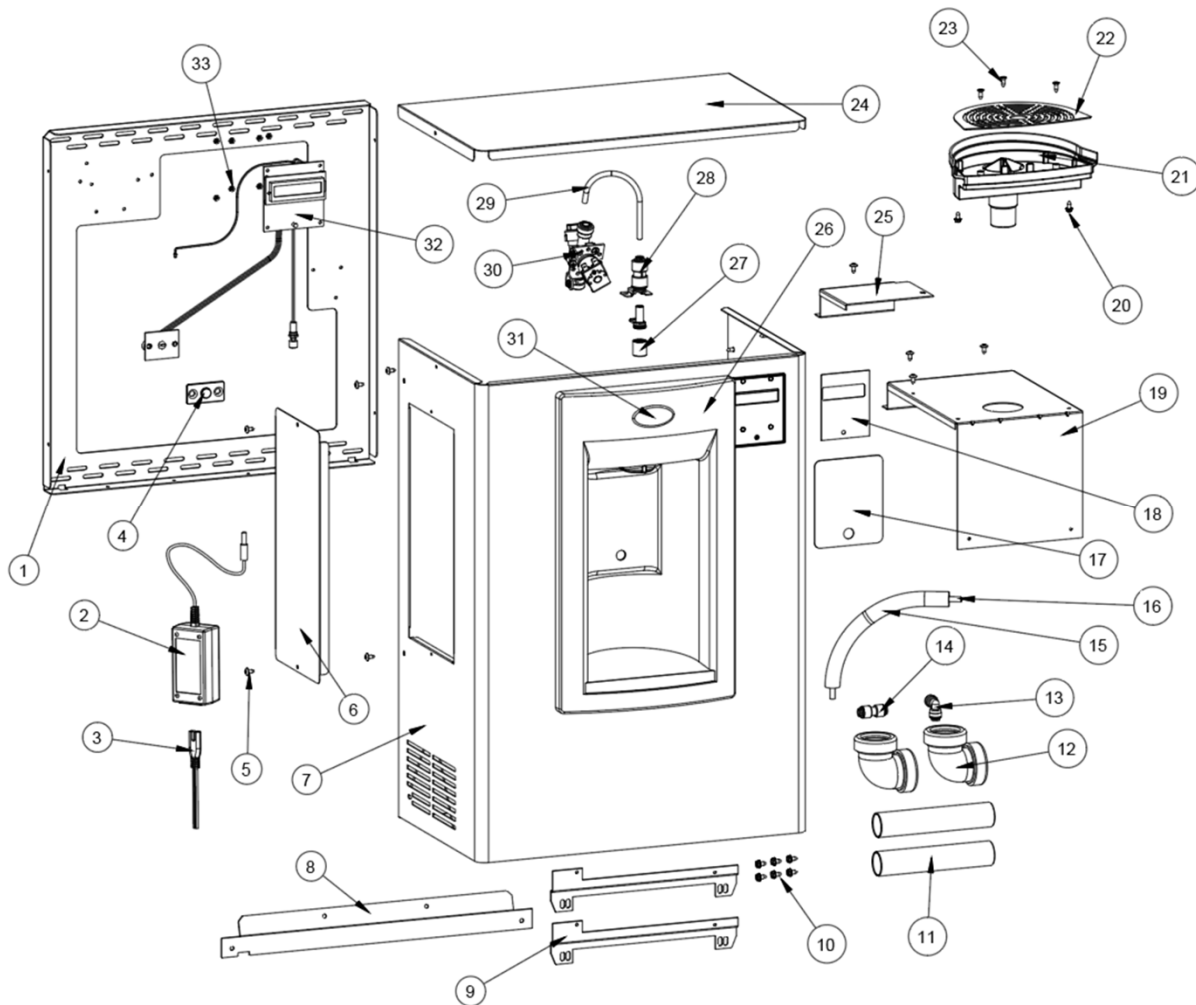


Section 4: Installation

14. Turn on water supply and check for any leaks.
15. Ensure that nothing is obstructing the fan blade.
16. Plug the Elkay power cord into the wall outlet.
17. Test the contactless bottle filler by placing a water bottle into the alcove of the bottle filler. Check for leaks.
18. Install the cabinet top panel, filter access panel and Elkay cooler wrapper.



Section 5: Parts Breakdown



ITEM	QTY	P/N	Description
1	1	041245-001	Frame
2	1	038036-003	Power Supply, 100-240VAC/12VDC
3	1	038168-001	Cord Assy, DC Power Supply
4	1	038027-001	Lens, IR Bottle Filler
5	14	031875-003	Screw, Truss HD Tapping
6	1	041241-001	Panel, NN Filter
7	1	041238-001	Wrapper, ENN
8	1	041243-001	Bracket, Center ENN
9	2	041242-001	Bracket, ENN Side
10	6	026642-010	Screw, #10 Hex HD Tapping
11	2	036010-002	Waste, Tube
12	2	A020967	1 1/2" Elbow, W/Nuts, 1 1/4"
13	1	028481-101	FTG, PP Union Elbow WHT 0.25
14	1	028605-101	FTG, PP Union 1/4"OD
15	1	017681-003-SP	Insulation, Sponge Tube 9"
16	1	030152-102-SP	Tube, PE Cut Length WHI 10"
17	1	038031-006	Label, Alcove Sensor

ITEM	QTY	P/N	Description
18	1	038031-005	Label, LCD Bezel
19	1	041244-001	Bracket, ENN Drain
20	2	026642-003	Screw, #8 Hex HD Tapping
21	1	036191-001	Drain, MSBF, Short
22	1	036192-001	Grille, Bottle Filler Drain
23	3	026675-003	Screw, Flat HD Tapping
24	1	041239-001	Panel, ENN Top
25	1	041246-001	Bracket, ENN Filter Guard
26	1	036190-003	Alcove, EBF
27	1	038032-001	Flow Nozzle
28	1	028668-101	FTG, PP Reducing Union
29	1	030152-009-SP	Tube, PE White 7.5"
30	1	038030-002	Solenoid Valve 12VDC
31	1	031434-014	Nameplate, OASIS
32	1	038026-002	Electronics ASSY, IR/LCD
33	4	026824-026	Nut, Hex Nylon

OWNER'S COPY
1 YEAR
BOTTLE FILLER LIMITED WARRANTY

FIRST YEAR

The manufacturer promises the original purchaser (user) to repair, give credit for, or, at the manufacturer's option, to replace any part of this bottle filler which proves to be inoperative due to a defect in material or workmanship under normal use, for a period of one year from the date of original installation or for a period of eighteen (18) months after date of shipment from the factory, whichever occurs first. During the one year warranty, the Manufacturer will either replace, give credit for, or repair the bottle filler through its approved service center or factory repair department, and provide labor and parts necessary to correct such inoperative condition at no charge, if it has been installed and operated in accordance with the written instruction furnished with the bottle filler.

If it becomes necessary to ship the inoperative bottle filler to the approved service center or factory repair department, the Manufacturer will pay the transportation charges both ways via common carrier. Local delivery charges are not covered.

The cost of labor required to disconnect and reconnect plumbing and electrical connections will be the responsibility of the user (owner).

WARNING

Alteration or modification of this machine may cause serious flooding and/or hazardous electrical shock or fire.

Except as set forth herein, the Manufacturer makes no other warranty, guarantee or agreement expressed, implied or statutory, including any implied warranty of merchantability or fitness for a particular purpose.

The foregoing is in lieu of all other agreements expressed, implied or statutory and all other obligations or liabilities of the Manufacturer. The Manufacturer does not assume or authorize any person to assume any obligations of liability in connection with this product. In no event will the Manufacturer be liable for special or consequential damages or for any delay in the performance of this agreement due to causes beyond their control.



OASIS International
222 East Campus View BLVD • Columbus, OH 43235 U.S.A.

Phone: 1-800-950-3226
Email: www.oasiscoolers.com

GENERAL PROVISIONS AND EXCLUSIONS:

This warranty applies only within the Continental Limits of the United States of America and Canada.

This warranty does not apply and no agreement, either expressed or implied, shall be applicable if the affixed serial number is removed, defaced or obliterated.

This warranty does not apply to any water components that become inoperative due to liming conditions.

This warranty does not apply to any bottle filler or components that become inoperable because of a failure to satisfy standards or regulations adopted by any government or agency thereof subsequent to the date of shipment from the factory.

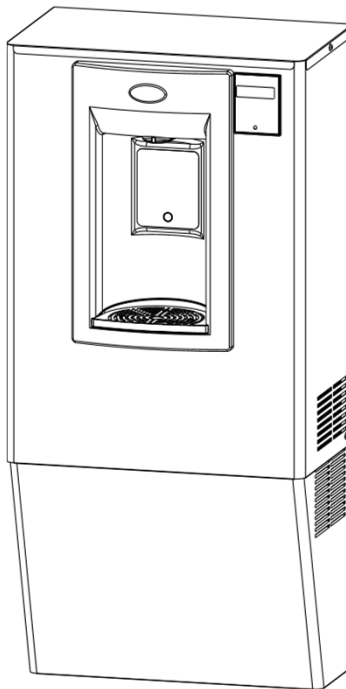
This warranty does not cover performance, failure or damages of any parts resulting from external causes such as alterations, abuse, misuse, misapplication, corrosion or acts of God.

This warranty applies only to the bottle filler portion. It does not apply to the water cooler. Refer to the water cooler warranty for coverage.

THIS PAGE IS INTENTIONALLY LEFT BLANK

Model NNEBFEZ Chilled Bottle Filler Retrofit Kit for ELKAY LZ8 Water Coolers

Installation Instructions



P/N 030099-640 Rev B Date: 12/2020

© 2020 LVD Acquisition, LLC

Oasis, Aqua Pointe, Versacooler and VersaFiller are registered trademarks of LVD Acquisition, LLC dba Oasis International

The ELKAY trademark is registered and owned by Elkay Manufacturing Company. OASIS International is not affiliated with Elkay Manufacturing Company in any way. No OASIS International Products are associated or affiliated with, sponsored or endorsed by the Elkay Manufacturing Company.



OASIS INTERNATIONAL
222 East Campus View Blvd.
Columbus, OH 43235
614-861-1350
www.oasiscoolers.com