

Owners Manual

Models 4420BF1LDB* and 4420BF1UDB* Bi-Level Tubular Bottle Filler Fountain with Pet fountain

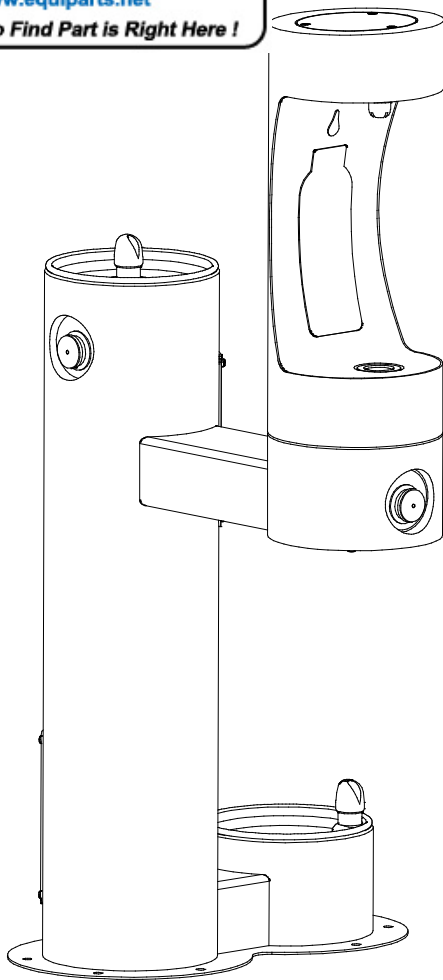


TOLL FREE: 800-442-6622

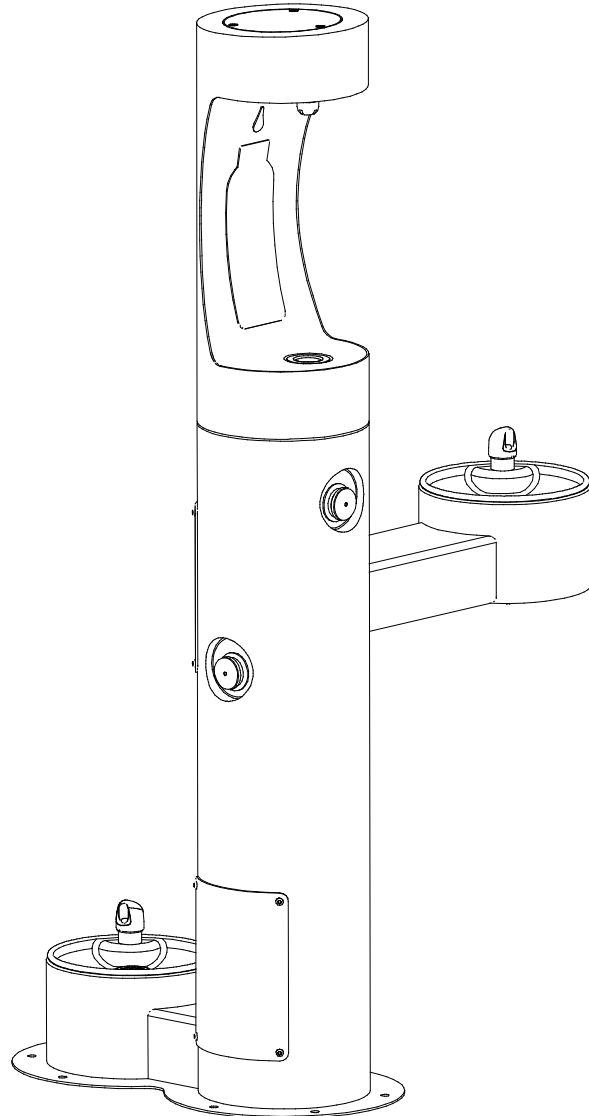
PITTSBURGH: 412-781-9100

www.equiparts.net

That Hard to Find Part is Right Here!



Models (LK)4420BF1LDB*



Models (LK)4420BF1UDB*

INSTALLER

4420BFDB Fountains are among the easiest to install Fountains on the market today. To assure you install these models easily and correctly, PLEASE READ THESE SIMPLE INSTRUCTIONS BEFORE STARTING THE INSTALLATION. CHECK YOUR INSTALLATION FOR COMPLIANCE WITH PLUMBING, ELECTRICAL, AND OTHER APPLICABLE CODES. After installation, leave these instructions with the Fountain for future reference.

INSTALLATION INSTRUCTIONS

IMPORTANT

ALL SERVICE TO BE PERFORMED BY AN AUTHORIZED SERVICE PERSON

IMPORTANT! INSTALLER PLEASE NOTE.

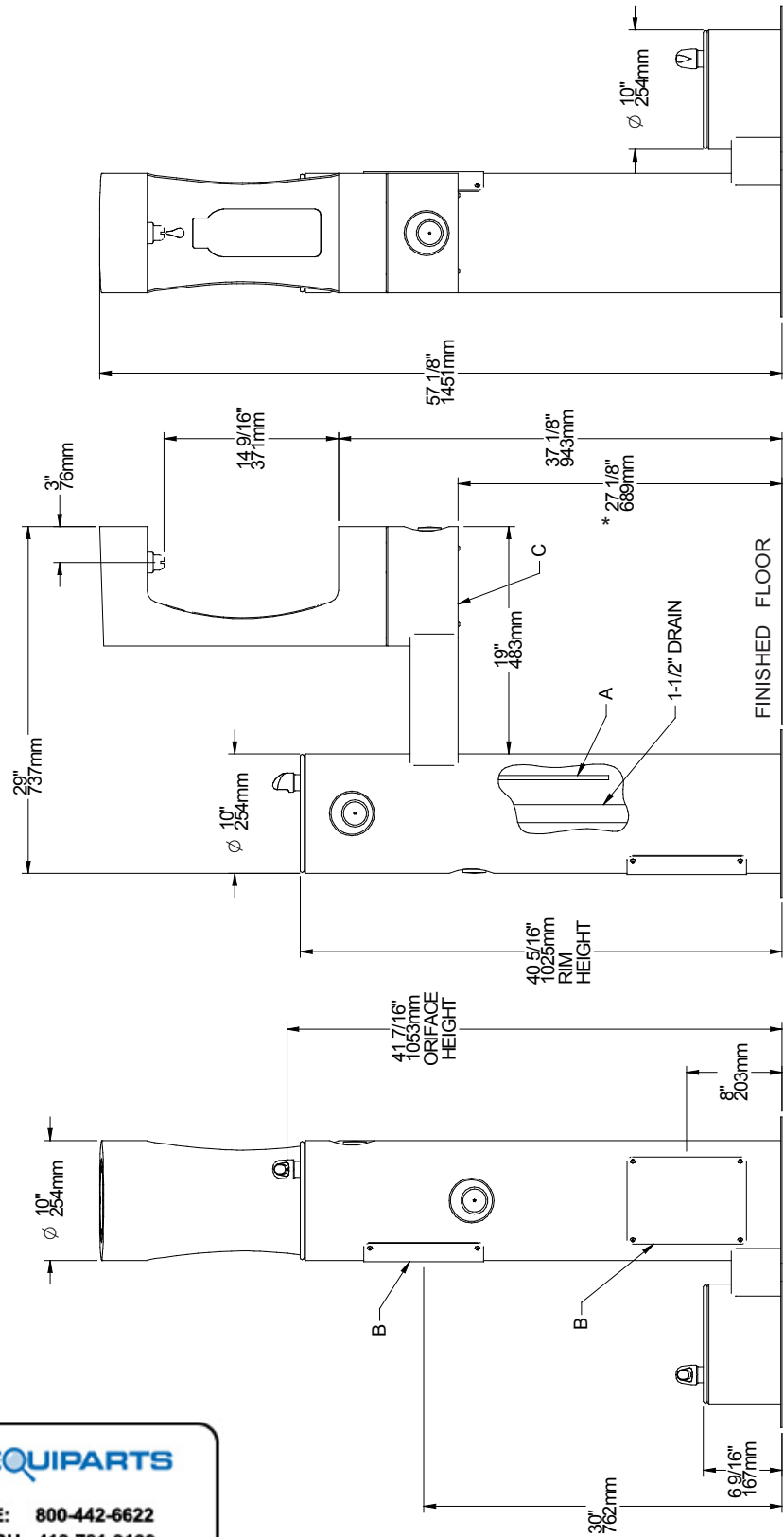
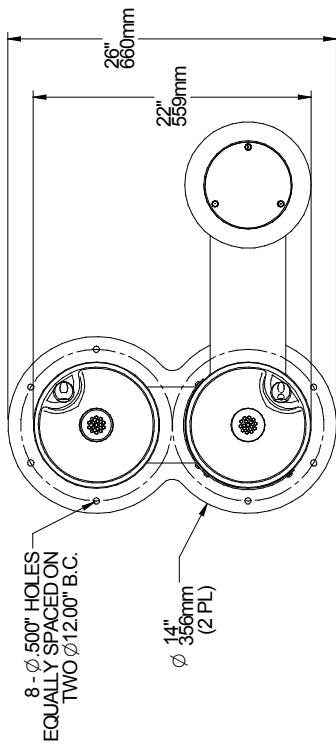
THE GROUNDING OF ELECTRICAL EQUIPMENT SUCH AS TELEPHONE, COMPUTERS, ETC. TO WATER LINES IS A COMMON PROCEDURE. THIS GROUNDING MAY BE IN THE BUILDING OR MAY OCCUR AWAY FROM THE BUILDING. THIS GROUNDING CAN CAUSE ELECTRICAL FEEDBACK INTO A FOUNTAIN, CREATING AN ELECTROLYSIS WHICH CAUSES A METALLIC TASTE OR AN INCREASE IN THE METAL CONTENT OF THE WATER. THIS CONDITION IS AVOIDABLE BY USING THE PROPER MATERIALS AS INDICATED. ANY DRAIN FITTINGS PROVIDED BY THE INSTALLER SHOULD BE MADE OF PLASTIC TO ELECTRICALLY ISOLATE THE FOUNTAIN FROM THE BUILDING PLUMBING SYSTEM.

1. This fountain is to be mounted on a smooth, flat, finished surface with adequate support structure. NOTE: Mounting structure must be capable of supporting 300 lb. load on fountain.
2. Refer to rough-in for plumbing.
3. Install shut-off valve on water supply. (Valve not furnished)
4. Locate and install fountain using 3/8" minimum fasteners. (Fasteners not furnished)
5. Prior to installing the bottle filler to the center mounting position of fountain, insert the drain pipe (Item #15) by positioning the short end of drain pipe through mounting plate of bottle filler. Install bottle filler to fountain and secure with supplied hardware.
6. Prior to installing the bottle filler to the arm mount of fountain, insert the drain pipe (Item #14) into the arm tunnel and adjust drain to lean to the left side of the arm when facing the button. Install bottle filler to arm being sure drain tube is above mounting plate of filler. Install filler to fountain and secure with supplied hardware.
7. Connect water supply and fountain drain. Connect drain waste "Tee" to fountain drain tubes. Connect outlet of "Tee" to drainage system. Water connection and drain must comply with local codes.
8. Turn on water supply and check all connections for leaks.

CAUTION: This fountain is rated for inlet water pressure of 20-105 PSI. A pressure reducing regulator should be used if the inlet water supply exceeds 105 PSI. Any damage caused by reason of connecting this product to supply line pressures lower than 20 PSI or higher than 105 PSI is not covered by warranty.

9. Water supply 3/8" O.D. unplated copper tube. Waste 1-1/2" IPS. Contractor to supply waste trap and service stop valve in accordance with local code.
10. Connecting lines to be made of unplated copper and should be thoroughly flushed to remove all foreign matter before being connected to fountain. This fountain is manufactured in such a manner that it does not in any way cause taste, odor, color, or sediment problems.
11. Connect fountain to supply line with a shut-off valve and install a 3/8" unplated copper water line between the valve and the fountain. Remove any burrs from outside of water line. Push the tubes straight into the fittings until they reach a positive stop, approximately 3/4" (See Fig. 3). DO NOT SOLDER TUBES INSERTED INTO PLASTIC FITTINGS AS DAMAGE TO THE O-RINGS MAY RESULT.





LEGEND

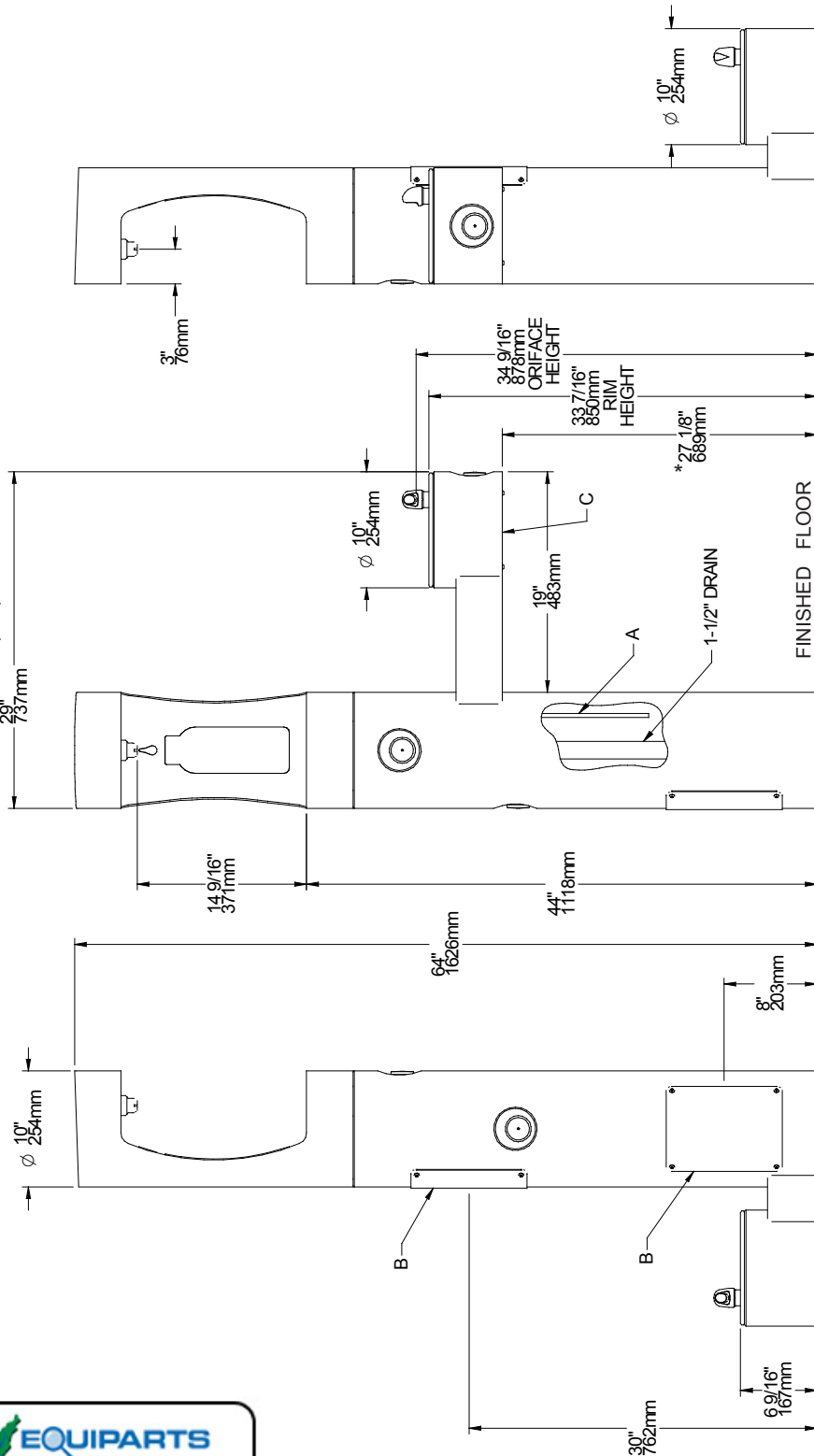
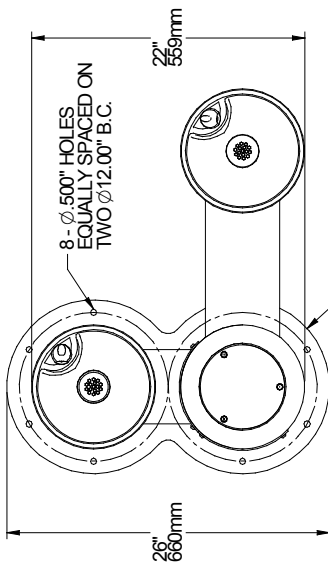
- A = 3/8" O.D. UNPLATED COPPER TUBE CONNECT - SHUT OFF VALVE BY OTHERS
- B = ACCESS PANEL (8" X 10")
- C = REMOVABLE BOTTOM COVER

* ADA REQUIREMENT

4420BF1LDB

TMS EQUIPARTS
NORTHEAST

TOLL FREE: 800-442-6622
PITTSBURGH: 412-781-9100
www.equiparts.net
That Hard to Find Part is Right Here !

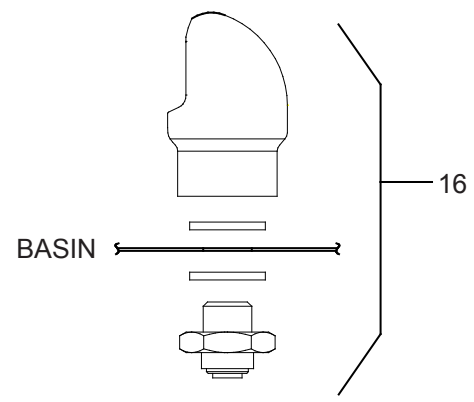
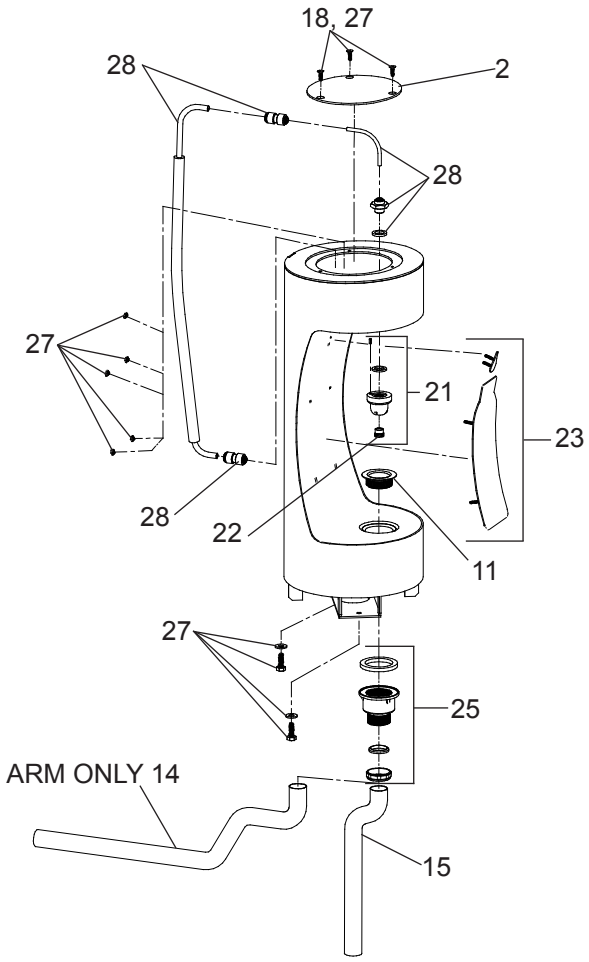


TMS EQUIPARTS
 NORTHEAST
 TOLL FREE: 800-442-6622
 PITTSBURGH: 412-781-9100
www.equiparts.net
 That Hard to Find Part is Right Here !

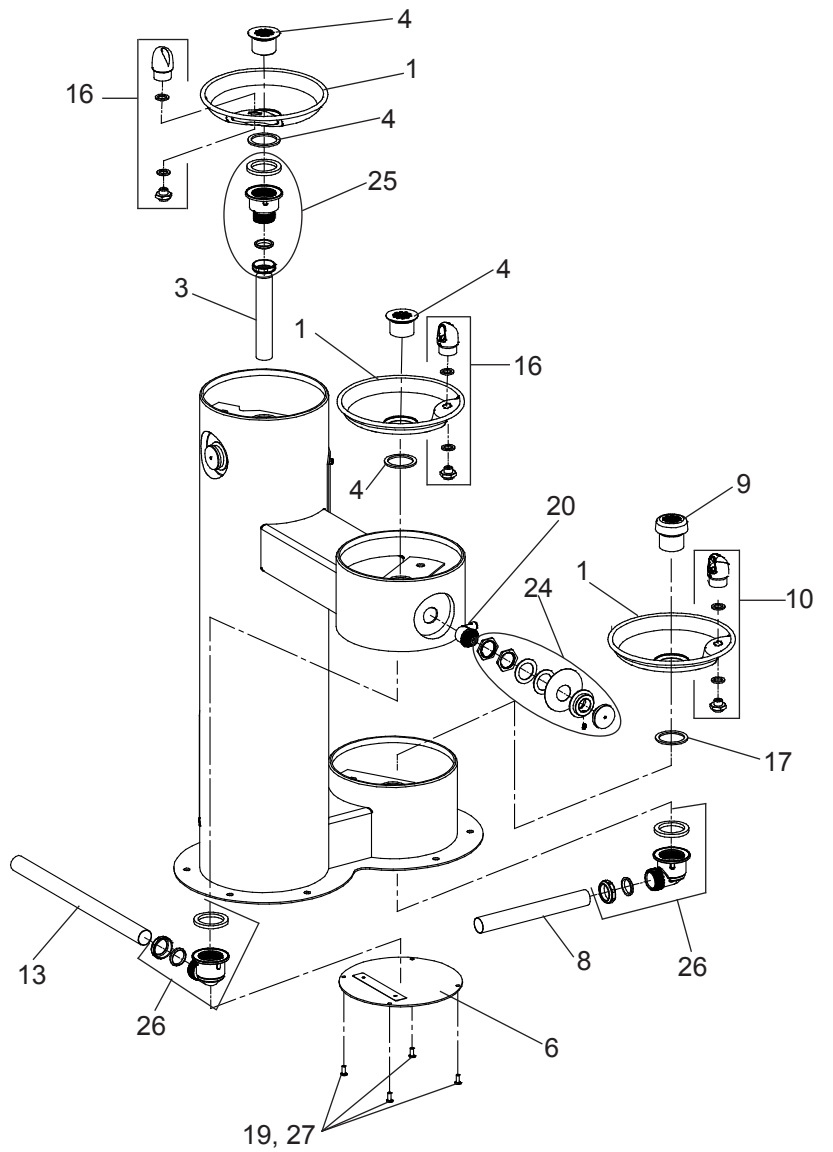
LEGEND
 A = 3/8" O.D. UNPLATED COPPER TUBE CONNECT - SHUT OFF VALVE BY OTHERS
 B = ACCESS PANEL (8" X 10")
 C = REMOVABLE BOTTOM COVER

* ADA REQUIREMENT

4420BF1UDB



Vandal-Resistant Bubbler
FIG. 1



TMS EQUIPARTS
NORTHEAST

TOLL FREE: 800-442-6622
PITTSBURGH: 412-781-9100

www.equiparts.net

That Hard to Find Part is Right Here!

TROUBLESHOOTING AND MAINTENANCE

ACTUATION OF QUICK CONNECT WATER FITTINGS:

Fountain is provided with lead-free connectors which utilize an o-ring water seal. To remove tubing from the fitting, relieve water pressure, push in on the gray collar while pulling on the tubing. (see Fig.2) To insert tubing, push tube straight into fitting until it reaches a positive stop, approximately 3/4".

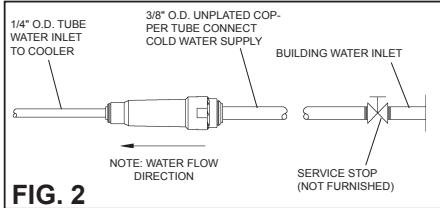


FIG. 2

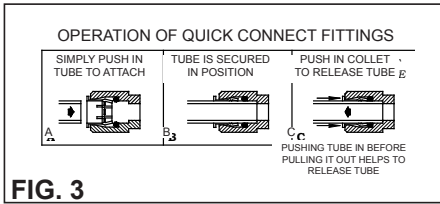


FIG. 3

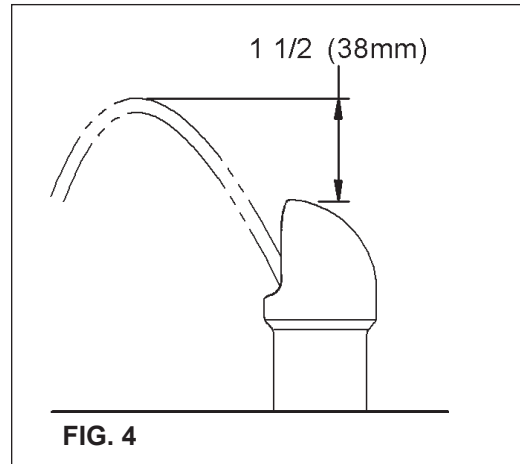


FIG. 4

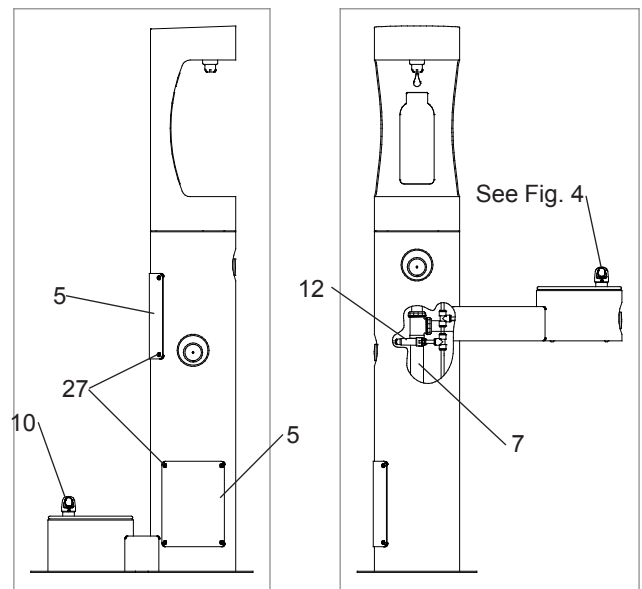
STREAM HEIGHT ADJUSTMENT:

Stream height is factory set at 35 PSI. If supply pressure varies greatly from this, insert a small straight bladed screwdriver through the access hole in the center of the push button and turn the adjustment screw. Clockwise adjustment will raise the stream and counterclockwise adjustment will lower the stream. For best adjustment, the stream should be approximately 1 1/2" above the top of the bubbler . (See Fig. 4)

ITEMIZED PARTS LIST

ITEM NO.	PART NO.	DESCRIPTION
1	28467C	Basin
2	1000003814*	Cover - Round Plate
3	40551C	Tailpipe
4	0000000325	Kit - Drain Plug/Gasket
5	1000003812*	Access Panel
6	1000003813*	Bottom Cover
7	45926C	Drain Tube - 1-1/2" x 27-1/2" Lg.
8	45724C	Tailpipe - 1-1/4" x 10"Lg.
9	45726C	Drain Plug 1-1/2" (Dog Bowl)
10	0000000466	Kit - Bubbler (Dog Bowl)
11	45931C	Plug - Drain (BF)
12	55996C	In - Line Strainer
13	66346C	Drain Tube
14	66816C	Tube - Drain (Arm Only)
15	66815C	Tube - Drain
16	97446C	Kit - Bubbler (VR)
17	101570540560	Gasket
18	75724C	Screw - 1/4"x20 x 3/4" LG. Pinned Torx
19	97247C	Kit - VR Torx Screws/Bit
20	98678C	Kit - 1.0 GPM Regulator (BF Only)
	98530C	Kit -
21	98679C	Kit - Nozzle
22	98680C	Kit - Aerator/Key
23	98681C	Kit - Blank Bottle Filler Trim
	1000003692	Kit - LK4420BFDB Bottle Filler Trim
	1000003693	Kit - 4420BFDB Bottle Filler Trim
24	98682C	Kit - Push Button w/Blank Nameplate
	1000003694	Kit - Push Button w/LK4420BFDB Nameplate
	1000003695	Kit - Push Button w/4420BFDB Nameplate
25	98683C	Kit - Plastic Drain
26	98684C	Kit - 90° Plastic Drain
27	98685C	Kit - 4400 Series Hardware
28	98686C	Kit - Bottle Filler Waterway
NS	1000003490	Drain Tube (Not Shown)

NS = Not Shown
*select color option to complete part number



***FINISH COLOR OPTIONS – Choose color option to complete your model number, add as suffix example: 4420BF1UDBEVG**

Matte finish: Evergreen = **EVG**

Gloss finish:

- | | | |
|---------------------------------------------|----------------------------------------------|--------------------------------------------------|
| <input type="checkbox"/> Beige = BGE | <input type="checkbox"/> Gray = GRY | <input type="checkbox"/> Terracotta = TER |
| <input type="checkbox"/> Black = BLK | <input type="checkbox"/> Orange = ORN | <input type="checkbox"/> White = WHT |
| <input type="checkbox"/> Blue = BLU | <input type="checkbox"/> Purple = PUR | <input type="checkbox"/> Yellow = YLV |
| <input type="checkbox"/> Brown = BRN | <input type="checkbox"/> Red = RED | |